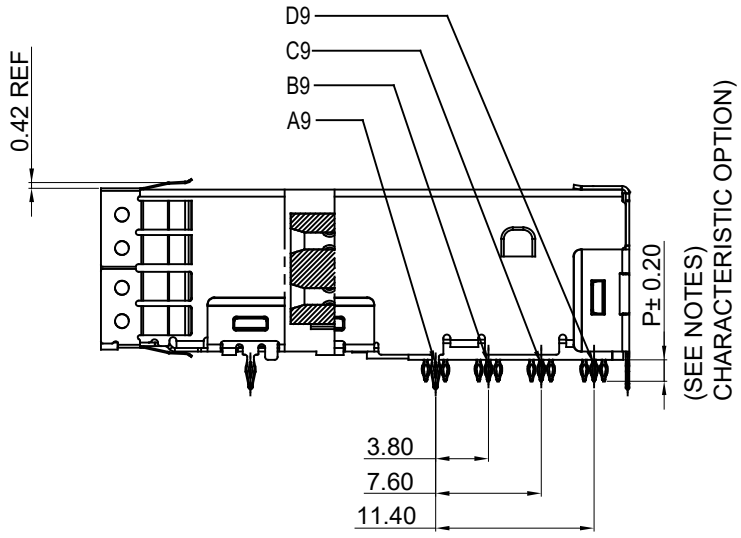
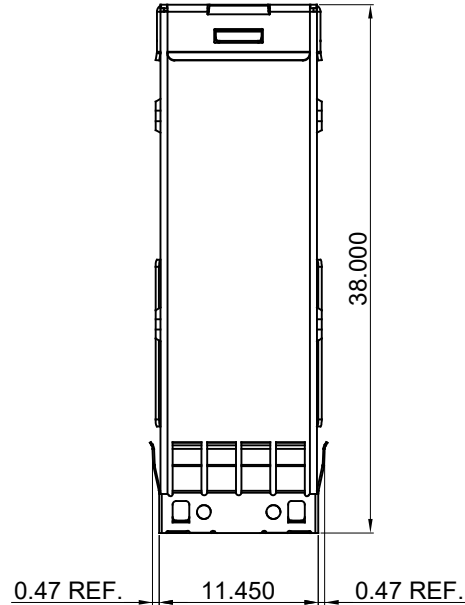
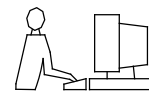


TOLERANCE UNLESS OTHERWISE SPECIFIED	
.X	±0.25
.XX	±0.15
.XXX	±0.10

THIS IS A C.A.D. GENERATED DRAWING
DO NOT MAKE MANUAL REVISIONS TO MASTER.

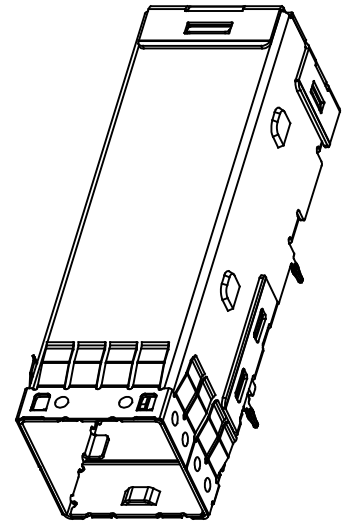
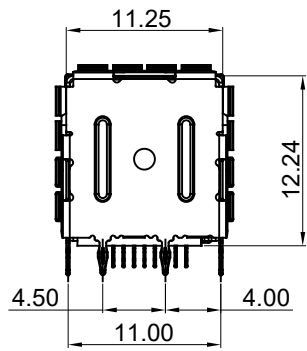
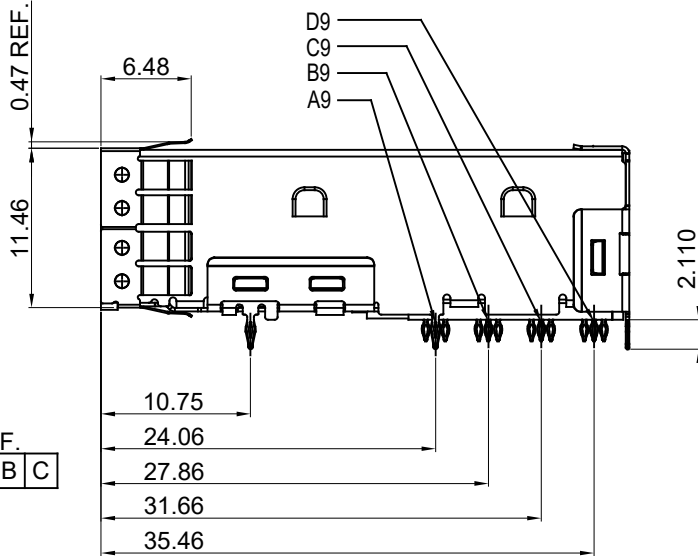
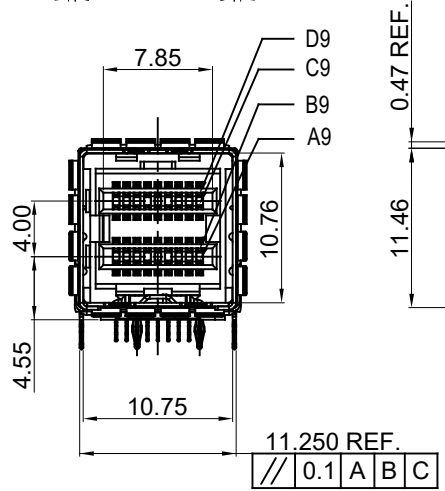


NOTES:

MATERIAL:
HOUSING:
CONTACT:

L.C.P SERIES, UL-94V-0
COPPER ALLOY
GOLD FLASH PLATING ON CONTACT AREA
MATTE TIN PLATING ON SOLDER TAIL OVER
NICKEL UNDER PLATING

(SEE NOTES)
CHARACTERISTIC OPTION)



MINI SAS HD EXTERNAL, RIGHT ANGLE PRESS FIT,
FEMALE, 36 CONTACTS

ACAD REFERENCE NO.: 904-036-225-002	
DRAWN: W.T	DATE: JUNE.28 /2018
CHECKED:	DATE:
SCALE: N.T.S	SHEET 1 OF 2
DRAWING NUMBER: 904-036-225-002	ISSUE
PART NUMBER: 904-036-225-002	1



THIS SERIES FULLY CONFORMS TO
THE EUROPEAN UNION DIRECTIVES
2011/65/EU FOR RoHS COMPLIANCY.



EDAC INC
TORONTO, ONTARIO
CANADA
YOUR CONNECTION TO QUALITY & SERVICE

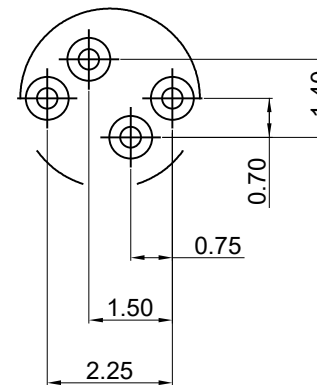
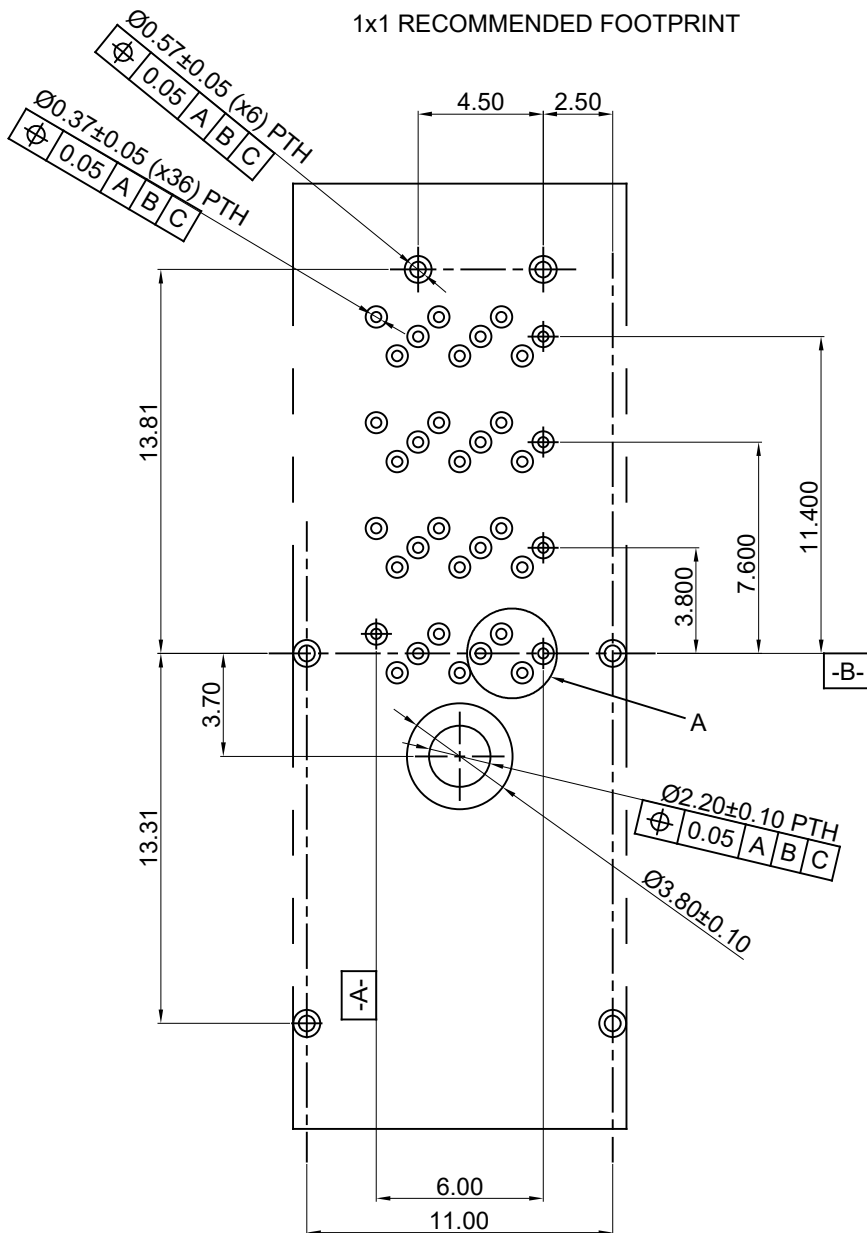
THESE DRAWINGS AND SPECIFICATIONS
ARE THE PROPERTY OF EDAC INC., AND
SHALL NOT BE REPRODUCED, OR COPIED
OR USED AS THE BASIS FOR THE
MANUFACTURE OR SALE OF APPARATUS
WITHOUT WRITTEN PERMISSION.

THIS IS A C.A.D. GENERATED DRAWING
DO NOT MAKE MANUAL REVISIONS TO MASTER.



TOLERANCE UNLESS OTHERWISE SPECIFIED	
.X	±0.25
.XX	±0.15
.XXX	±0.10

1x1 RECOMMENDED FOOTPRINT



DETAIL A
SCALE 8:1

NOTES:

MATERIAL: L.C.P SERIES, UL-94V-0
 HOUSING: COPPER ALLOY
 CONTACT: GOLD FLASH PLATING ON CONTACT AREA
 MATTE TIN PLATING ON SOLDER TAIL OVER
 NICKEL UNDER PLATING



THIS SERIES FULLY CONFORMS TO
THE EUROPEAN UNION DIRECTIVES
2011/65/EU FOR RoHS COMPLIANCY.

MINI SAS HD EXTERNAL, RIGHT ANGLE PRESS FIT,
FEMALE, 36 CONTACTS



EDAC INC
TORONTO, ONTARIO
CANADA
YOUR CONNECTION TO QUALITY & SERVICE

THESE DRAWINGS AND SPECIFICATIONS
ARE THE PROPERTY OF EDAC INC., AND
SHALL NOT BE REPRODUCED, OR COPIED
OR USED AS THE BASIS FOR THE
MANUFACTURE OR SALE OF APPARATUS
WITHOUT WRITTEN PERMISSION.

ACAD REFERENCE NO.: 904-036-225-002	
DRAWN: W.T	DATE: JUNE.28 /2018
CHECKED:	DATE:
SCALE: N.T.S	SHEET 2 OF 2
DRAWING NUMBER: 904-036-225-002	ISSUE
PART NUMBER: 904-036-225-002	1

Mouser Electronics

Authorized Distributor

Click to View Pricing, Inventory, Delivery & Lifecycle Information:

[EDAC:](#)

[904-036-225-002](#)