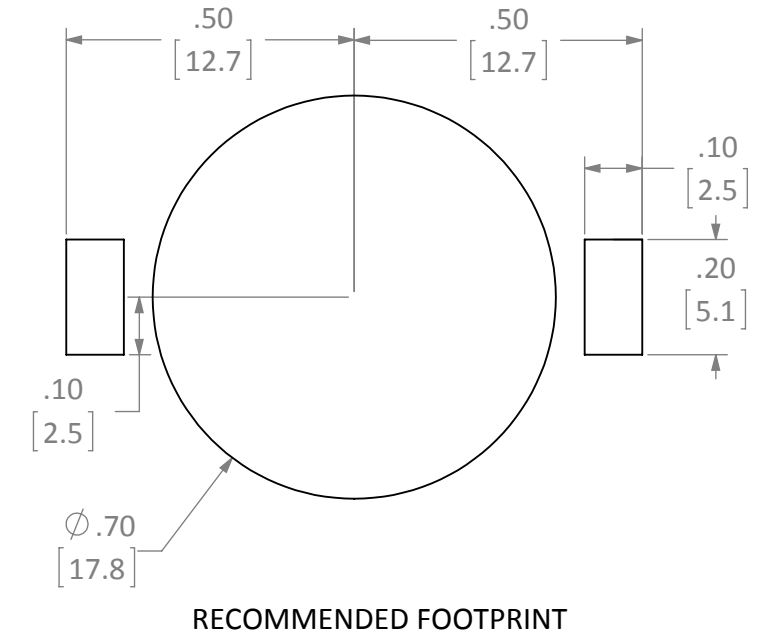
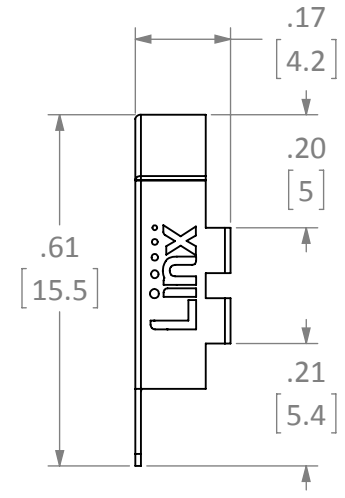
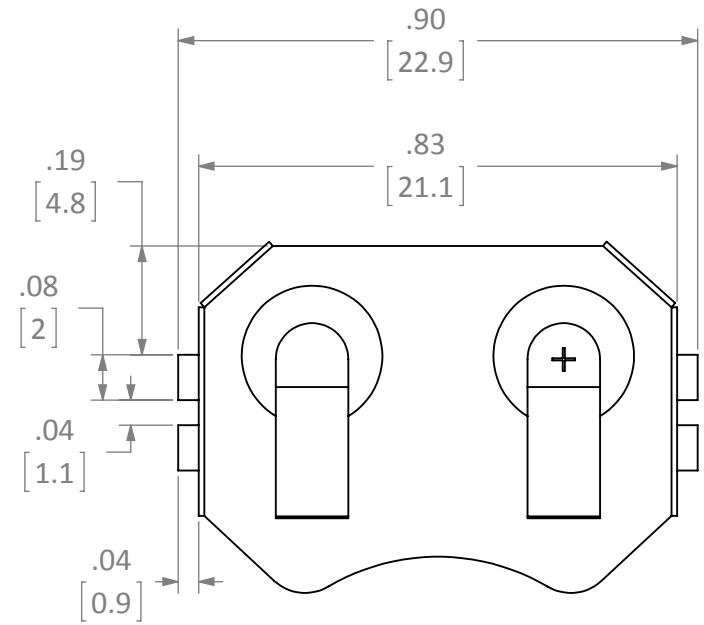
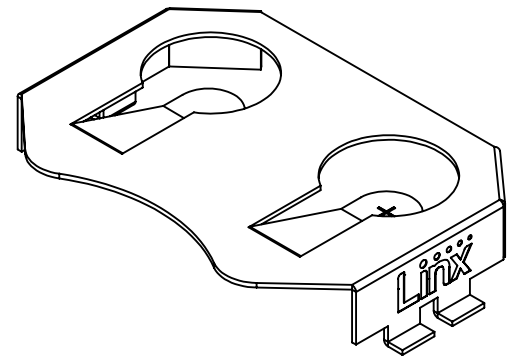


REVISIONS			
REV	DESCRIPTION	DATE	APPV
A	INITIAL RELEASE OF INTERNAL DOCUMENT	6-FEB-12	SAH
B	UPDATED AND REPOSITIONED LOGO, ADDED PART NUMBER TABLE	26-JUN-12	SAH
C	UPDATED NOTE 3; ADDED SECOND SHEET	23-JUL-18	CLL

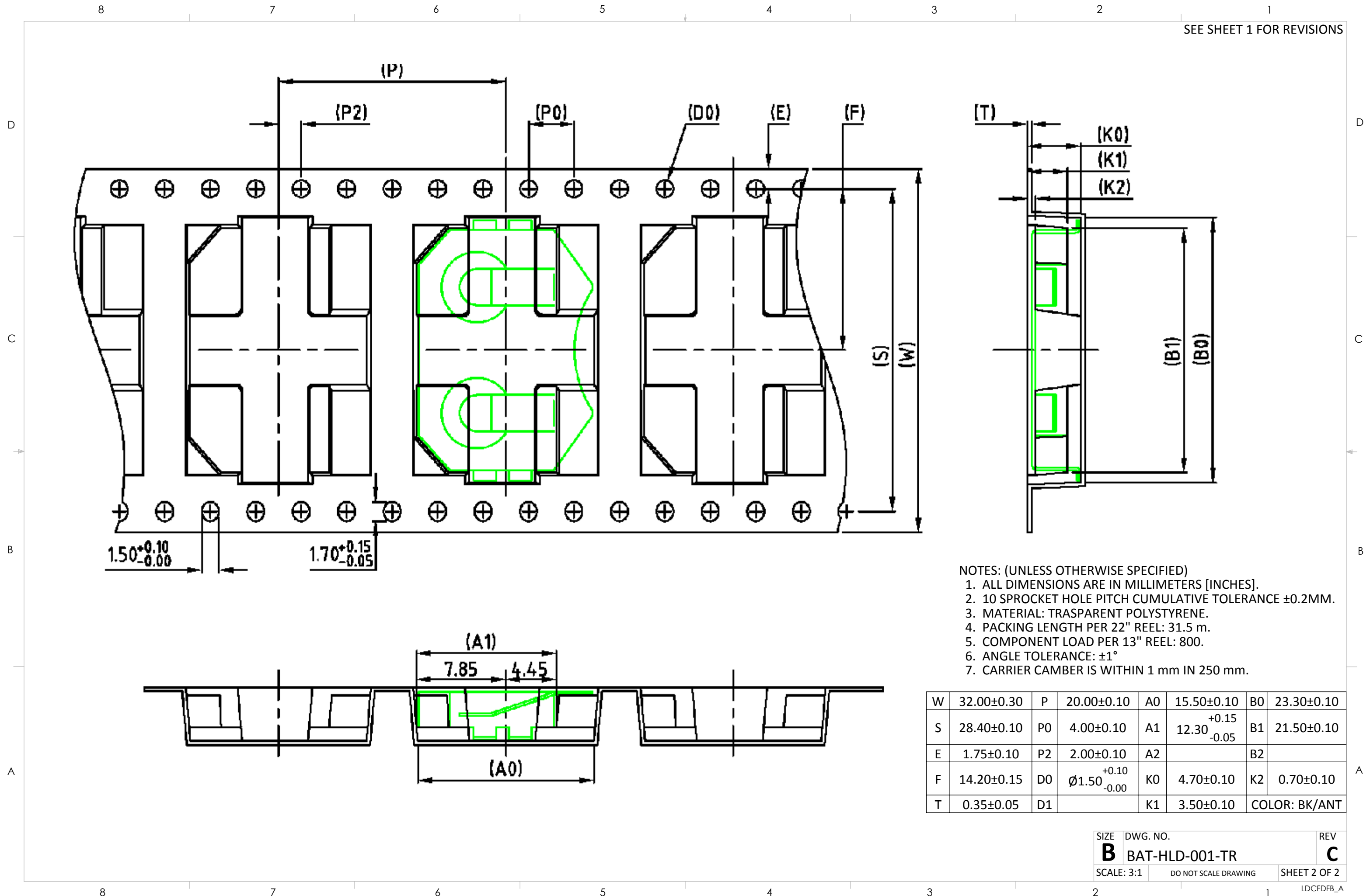


- NOTES: (UNLESS OTHERWISE SPECIFIED)**
1. ALL DIMENSIONS ARE IN INCHES [mm].
 2. DIMENSIONS APPLY AFTER FINISHING.
 3. MANUFACTURE TO BE COMPLIANT WITH EU RoHS DIRECTIVE, USE MATERIALS THAT DO NOT CONTAIN REACH SUBSTANCES OF VERY HIGH CONCERN >1000ppm, AND USE DRC CONFLICT-FREE SOURCED MATERIALS.
 4. SAFETY BREAK ALL SHARP CORNERS AND EDGES .02 MAXIMUM.



PART NUMBER	LOGO	PACKAGING
BAT-HLD-001	YES	BULK
BAT-HLD-001-NO	NO	BULK
BAT-HLD-001-TR	YES	TAPE & REEL

WARNING: THIS DRAWING CONTAINS PROPRIETARY INFORMATION THAT IS THE SOLE PROPERTY OF LINX TECHNOLOGIES, AND SHALL BE TREATED AS SUCH. NO DISCLOSURE OR REPRODUCTION OF THIS DOCUMENT IS PERMITTED, IN WHOLE OR IN PART, WITHOUT THE EXPRESS WRITTEN PERMISSION OF LINX TECHNOLOGIES OR ITS DESIGNATED AGENTS.			
MATERIAL: PHOSPHOR BRONZE #C-5191		TITLE: BATTERY HOLDER OUTLINE CR2032, CR2025 SURFACE MOUNT	
FINISH: NICKEL PLATE		SIZE DWG. NO. REV	
DRAWN: B.MURPHY DT: 25-MAY-12		B BAT-HLD-001-xx-OTL C	
ENGR: S.HOGAN DT: 25-MAY-12		SCALE: 3:1 DO NOT SCALE DRAWING SHEET 1 OF 2	



- NOTES: (UNLESS OTHERWISE SPECIFIED)
1. ALL DIMENSIONS ARE IN MILLIMETERS [INCHES].
 2. 10 SPROCKET HOLE PITCH CUMULATIVE TOLERANCE ± 0.2 MM.
 3. MATERIAL: TRASPARENT POLYSTYRENE.
 4. PACKING LENGTH PER 22" REEL: 31.5 m.
 5. COMPONENT LOAD PER 13" REEL: 800.
 6. ANGLE TOLERANCE: $\pm 1^\circ$
 7. CARRIER CAMBER IS WITHIN 1 mm IN 250 mm.

W	32.00 \pm 0.30	P	20.00 \pm 0.10	A0	15.50 \pm 0.10	B0	23.30 \pm 0.10
S	28.40 \pm 0.10	P0	4.00 \pm 0.10	A1	12.30 ^{+0.15} _{-0.05}	B1	21.50 \pm 0.10
E	1.75 \pm 0.10	P2	2.00 \pm 0.10	A2		B2	
F	14.20 \pm 0.15	D0	$\varnothing 1.50$ ^{+0.10} _{-0.00}	K0	4.70 \pm 0.10	K2	0.70 \pm 0.10
T	0.35 \pm 0.05	D1		K1	3.50 \pm 0.10	COLOR: BK/ANT	

SIZE	DWG. NO.	REV
B	BAT-HLD-001-TR	C
SCALE: 3:1	DO NOT SCALE DRAWING	SHEET 2 OF 2