

MICRO SWITCH

FREEPORT ILLINOIS, U.S.A
A DIVISION OF HONEYWELL
FED. MFG. CODE 9 1929

ACTUATOR - SWITCH

CATALOG LISTING

JM-13

JM-13

M

DRAWING NUMBER

2

X

ISSUE

3

REPLACES X72284 - JM

RELEASE NO. PR-10383-T

CHECK

REVISIONS

A	CO 90232
GJW 30 OCT 81	
B	CO79303
DLT 7 MAR 95	

8 AUG 81

8 AUG 81

8 AUG 81

8 AUG 81

8 AUG 81

8 AUG 81

8 AUG 81

8 AUG 81

8 AUG 81

8 AUG 81

8 AUG 81

8 AUG 81

8 AUG 81

8 AUG 81

8 AUG 81

8 AUG 81

8 AUG 81

8 AUG 81

8 AUG 81

8 AUG 81

8 AUG 81

8 AUG 81

8 AUG 81

8 AUG 81

8 AUG 81

8 AUG 81

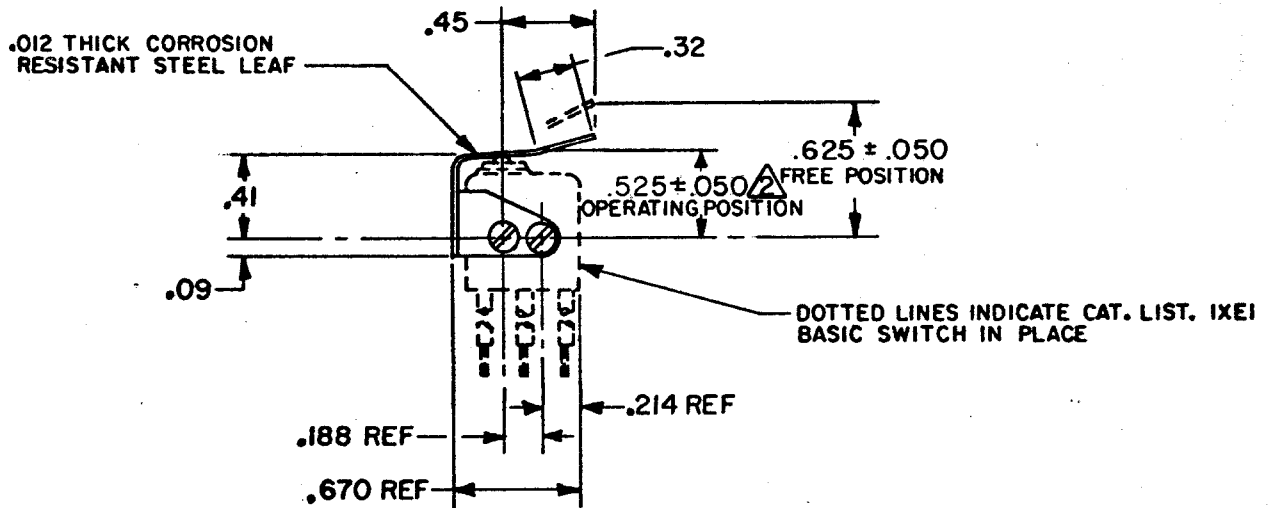
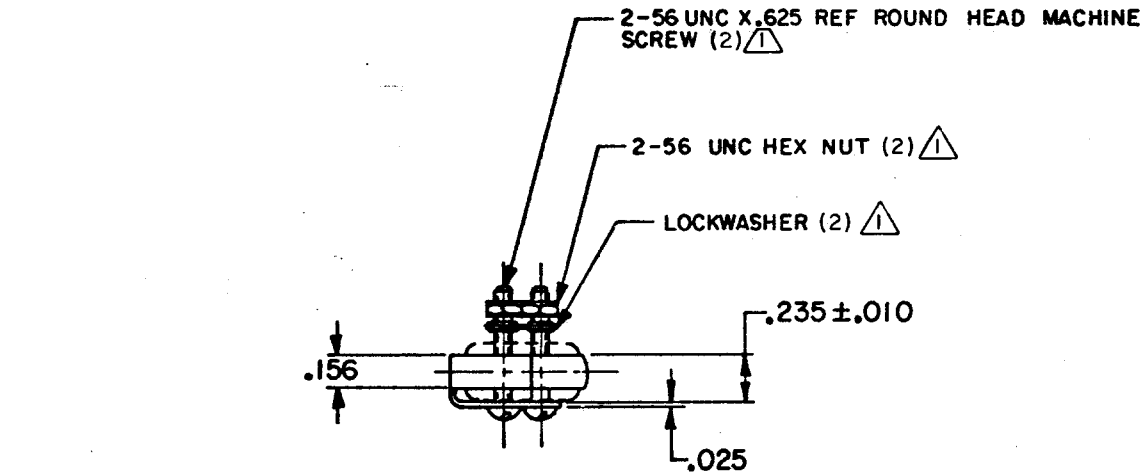
8 AUG 81

8 AUG 81

8 AUG 81

8 AUG 81

8 AUG 81

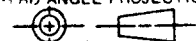


NOTES

- ⚠ FURNISHED UNASSEMBLED
- ⚠ CHARACTERISTICS MEASURED WITH IXE1 BASIC SWITCH INSTALLED

THIS DRAWING COVERS A PROPRIETARY ITEM AND IS THE PROPERTY OF MICRO SWITCH, A DIVISION OF HONEYWELL. THIS DRAWING IS NOT TO BE COPIED OR USED WITHOUT THE APPROVAL OF MICRO SWITCH.

THIRD ANGLE PROJECTION



CHARACTERISTICS ⚠

OPERATING FORCE	— — — 21 OZ MAX
RELEASE FORCE	— — — 3 OZ MIN
DIFFERENTIAL TRAVEL	— — — .012 MAX
OVERTRAVEL	— — — .009 MIN

ELECTRICAL DATA

CONTACT ARRANGEMENT

SCALE FULL

DO NOT SCALE PRINT

TOLERANCES
APPLY TO DESIGN DIMTS. CONVERSIONS ARE ONLY FOR REFERENCE. UNLESS NOTED, TOLERANCES ARE ±

	DIM. mm	TOL. mm/in	DIM. in	TOL. mm/in
NO PLACES	X	1/.04		
ONE PLACE	X.X	0.4/.016	X.X	0.8/.03
TWO PLACES	X.XX	0.15/.008	X.XX	0.38/.015
THREE PLACES	X.XXX	0.15/.008	X.XXX	0.13/.005

DESIGN UNITS METRIC US CUSTOMARY

WEIGHT

FO-52848-A

DRAWN

S L B 29 JULY 81 CHECK