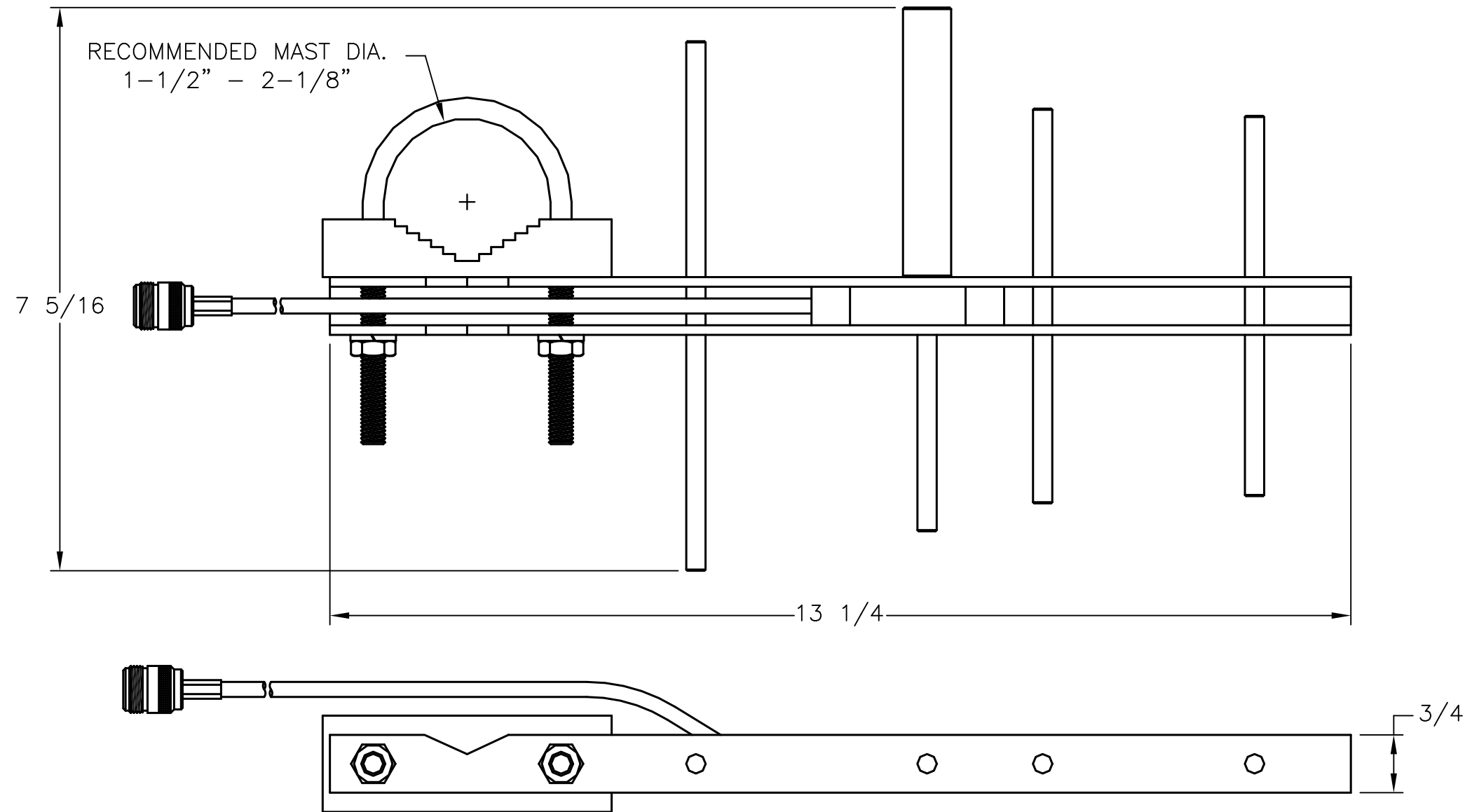


REVISION			
LTR	DESCRIPTION	DATE	INITIAL
AA	ORIGINAL	9-5-03	SWJ



Parameter	Performance
Model Number	PC904N
Frequency	896-980 MHz
Gain	6dBd
Polarization	Vertical
VSWR	1.5:1 Nominal
E-Plane 3 dB Beamwidth	70°
H-Plane 3 dB Beamwidth	100°
Front to Back Ratio	15dB
RF Connector	N (female)
Power	200W
Weight	1.12 lbs

MATERIAL:	DRAWN S JOHNSON	DATE 9-5-03	
	ENGINEER R LITTLEFIELD	DATE 9-5-03	
DO NOT SCALE DRAWING	ENGINEERING MGR A ALEVY	DATE 9-5-03	PC904N
UNLESS OTHERWISE SPECIFIED TOLERANCES ARE: ANGLES ±2° FRACTIONS ±1/16" .XX ±0.030" .XXX ±0.015"	FINISH:		DRAWING NO. PC904N
			REV AA
			SCALE 1:2
			SIZE B
			SHEET 1 OF 1

THIS DRAWING IS UNPUBLISHED.	RELEASED FOR PUBLICATION
© Copyright 2022 TE Connectivity Ltd.	ALL RIGHTS RESERVED.