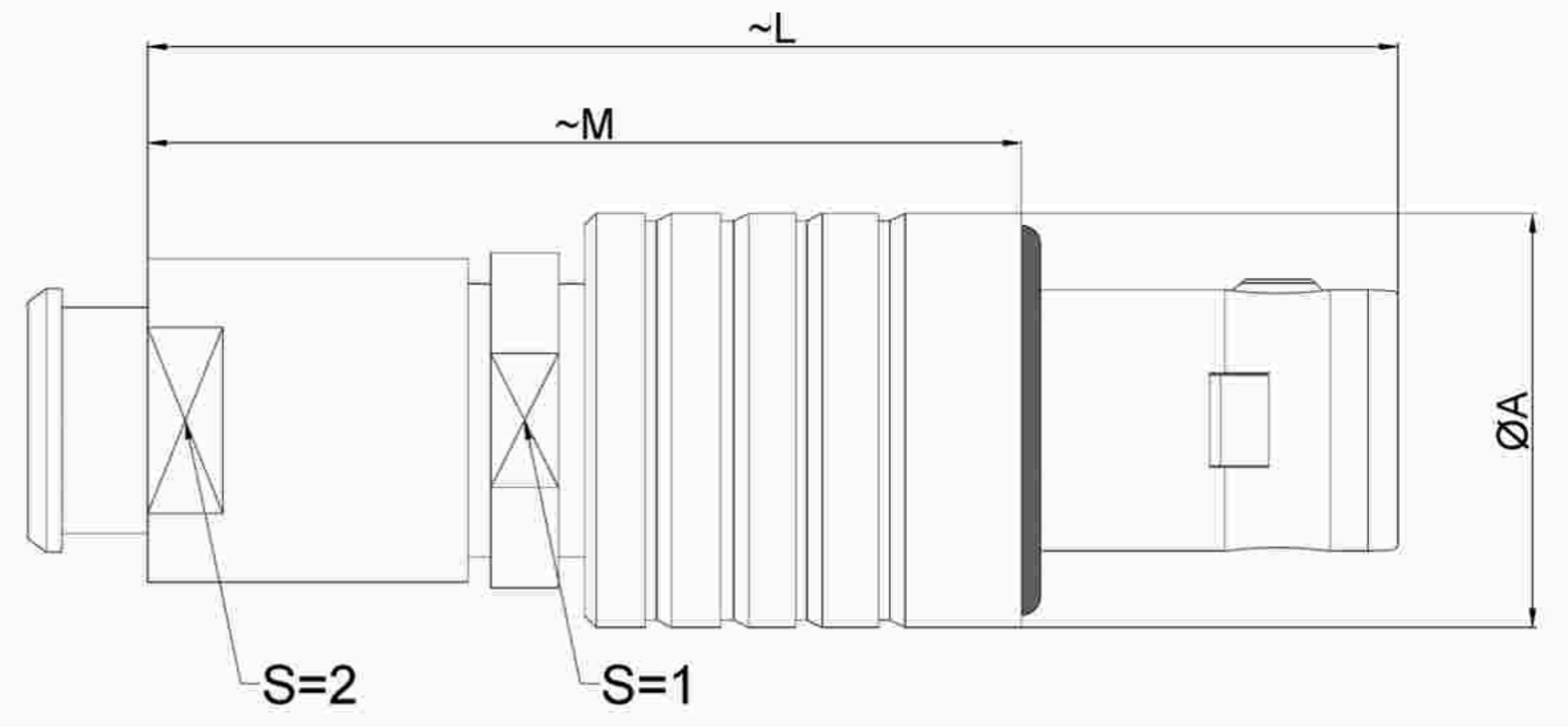


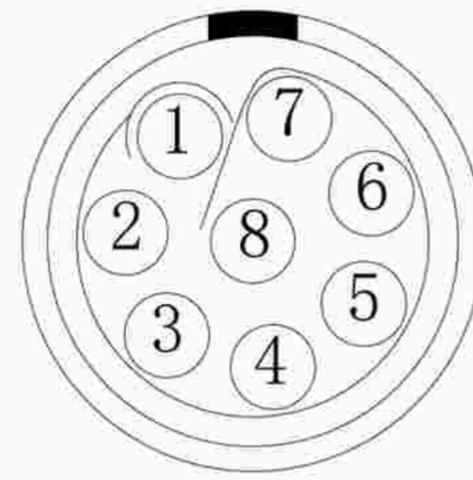
# 1.View and size(视图及尺寸)

| Main technical indicators(主要技术指标) |  |
|-----------------------------------|--|
| 1.Mating (插拔次数)                   | 5000   |
| 2.Working Temperature (温度)        | -55~+150 °C  |
| 3.IP Rating (防护级别)                | IP 54  |
| 4.Diameter of socket end(插合端直径)   | φ0.7   |
| 5.Testing Voltage (测试电压)          | 950V   |
| 6.Working Voltage (工作电压)          | 1150V  |
| 7.Rated Current (额定电流)            | 5A   |
| 8.Shell material(壳体材质)            | Brass (chromium plating) shell and chuck nut/( nickel plating) pin sleeve and middleware/黄铜(镀铬)外壳和夹头螺母/(镀镍)插销套和中间件 |
| 9.Pin Material(插针材料)              | Copper alloy gold plating(铜合金镀金)   |
| 10.Insulator material(绝缘体材质)      | L:PPS P:PEEK   |

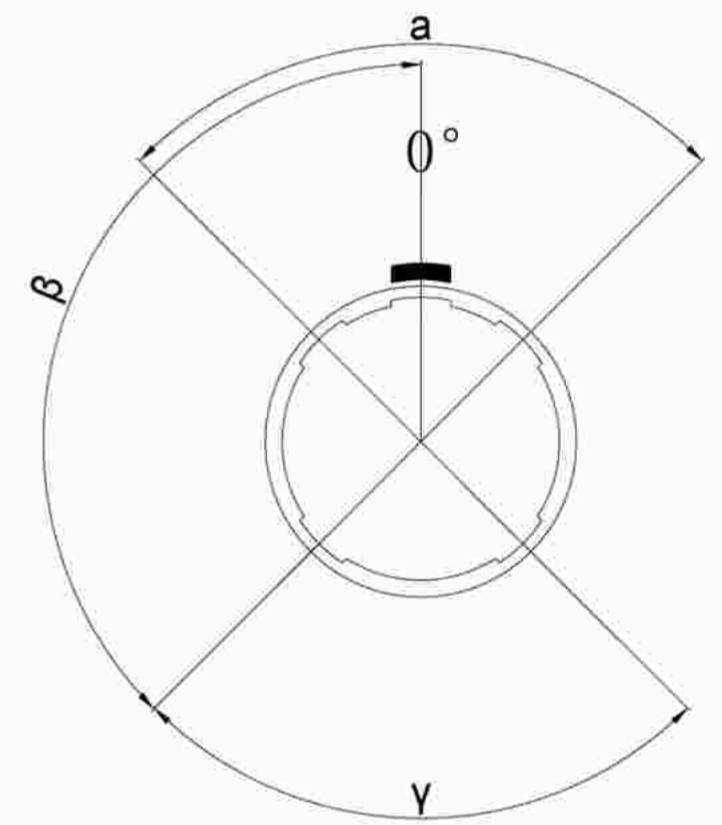


|    | A      | L      | M      | S1     | S2     |
|----|--------|--------|--------|--------|--------|
| MM | φ13.5  | 42     | 33     | 10.0   | 9      |
| in | 0.5315 | 1.6535 | 1.2992 | 0.3937 | 0.3543 |

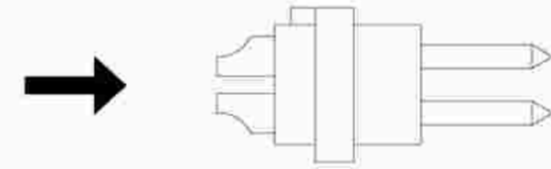
| Sum up(总结)                  |   |
|-----------------------------|---|
| Series(系列)                  | B   |
| Shell style/model (外壳样式/型号) | TEG: Straight plug, cable collet, front seal and nut for fitting a bend relief (IP 54 when mated)<br>直塞、电缆夹头、前密封件和用于安装弯曲凸起(配对时IP54) |
| Button (按键)                 | A button(一个按键)  |
| Termination type (终止类型)     | Male solder(公焊锡)  |
| Line diameter awg(线材直径)     | 30-22AWG  |
| Cable diameterφ (电缆直径)      | φ6.3-7.2MM  |
| Matching parts(配件)          | ZGG.1B.P08.CXL  |



Welded surface (焊接面)



Positive view (正视图)



Solder core (焊接型公胶芯)

| Location pin combination(定位销组合) |                                   |           |                         |
|---------------------------------|-----------------------------------|-----------|-------------------------|
| (编号) Number                     | Number of positioning pins(定位销数量) | Angle(角度) | Series(系列)--1B          |
| G                               | One(1)                            |           | (Zero degrees)0°        |
| A                               | Two(2)                            | A         | Thirty degrees(30°)     |
| B                               | Two(2)                            |           | Sixty degrees(60°)      |
| C                               | Two(2)                            |           | Ninety degrees(90°)     |
| D                               | Two(2)                            | β         | 135 degrees(135°)       |
| E                               | Two(2)                            |           | 145 degrees(145°)       |
| F                               | Two(2)                            |           | 155 degrees(155°)       |
| J                               | Two(2)                            | Y         | Forty-five degrees(45°) |
| K                               | Two(2)                            |           | Seventy degrees(70°)    |
| L                               | Two(2)                            |           | 80 degrees(80°)         |

|        | A      | B      | C√     | ANGLE   |       |
|--------|--------|--------|--------|---------|-------|
| 5-10   | ±0.02  | ±0.05  | ±0.1   | 0°-30°  | ±0.1° |
| 50-100 | ±0.1   | ±0.15  | ±0.2   | 61°-90° | ±0.5° |
| 50-100 | ±0.15  | ±0.2   | ±0.25  |         |       |
| 100-   | ±0.15% | ±0.20% | ±0.25% |         |       |

TE G. 1B. P08.C X A D 72 H

- Model(型号)
- Positioning pin(定位销)
- Series(系列)
- Needle core configuration(针芯配置)
- Outer casing(外壳)
- Insulator(绝缘体)
- Needle core(针芯)
- Type of CXamp(线夹类型)
- Cable diameter(电缆直径)
- SH means a sheath type, not a cover type. (H表示护套型, 不表示为不带护套型)

DESIGNED(设计)  
**广东星坤科技股份有限公司**  
 CHECKED(校对)  
 APPROVED(审核)  
 日期  
**REVISIONS**  
 文件工程章  
 www.helloxkb.com www.helloxkb.cn

|               |           |          |                                      |
|---------------|-----------|----------|--------------------------------------|
| DATE(日期)      | SCALE(比例) | N/A(不适用) | MODEL TYPE                           |
| DATE(日期)      | VIEW(视图)  |          | 型号类型: TEG.1B.P08.CXAD72H             |
| DATE(日期)      | UNIT(单位)  | MM       | PART NO. 1B8-core plug<br>名称: 1B8芯插头 |
| MATERIAL (材料) |           |          | DWG NO.:                             |
|               |           |          | WEIGHT(重量) SHEET(表) REVISION(修订)     |
|               |           |          | 1/1 A0                               |