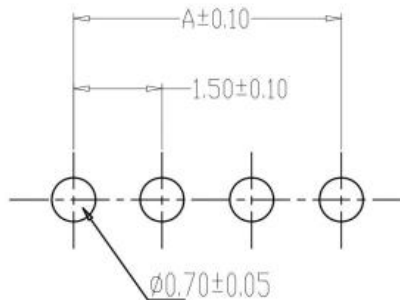
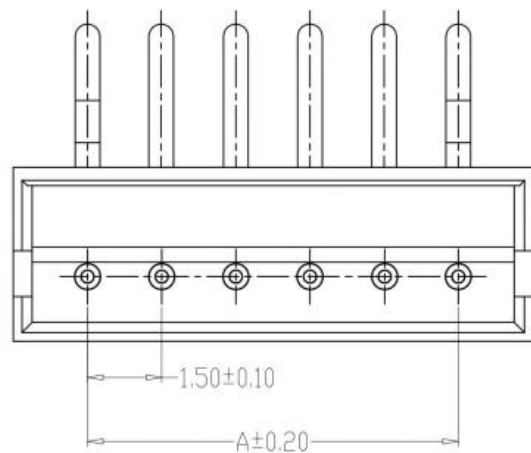
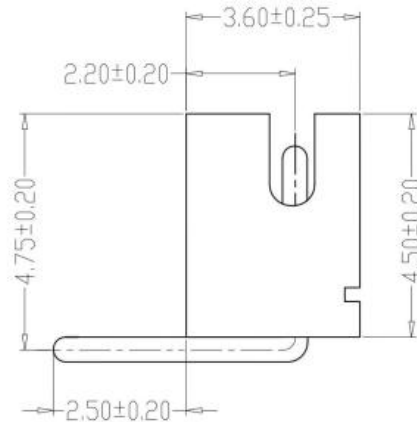
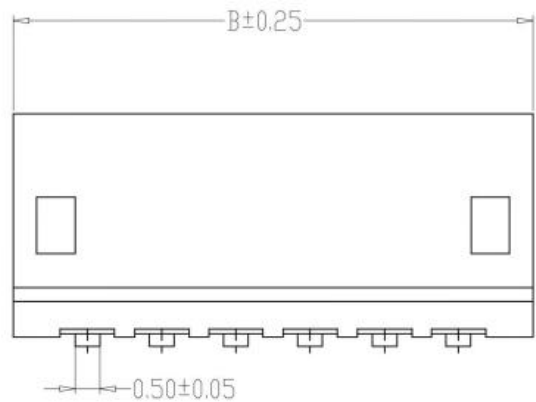


修订 REV	标记 MARK	修改摘要 REVISION DESCRIPTION	签名 SIGNATURE	日期 DATE
AO		NEW RELEASE	黄艳兰	2015-08-10



PCB LAYOUT

SPECIFICATIONS

- 1, Current Rating: 1A AC, DC
- 2, Voltage Rating: 100V AC, DC
- 3, Temperature Range: $-25^{\circ}\text{C} \sim +85^{\circ}\text{C}$
- 4, Contact Resistance: $20\text{m}\Omega$ Max
- 5, Insulation Resistance: $500\text{M}\Omega$ Min
- 6, Withstanding Voltage: 500V AC/minute
- 7, Material: Wafer PBT/PA46 White/Beige, UL94V-0
PIN Brass Tin-plated

PIN	尺寸 (mm)	
	A	B
2P	1.50	4.50
3P	3.00	6.00
4P	4.50	7.50
5P	6.00	9.00
6P	7.50	10.50
7P	9.00	12.00
8P	10.50	13.50
9P	12.00	15.00
10P	13.50	16.50
11P	15.00	18.00
12P	16.50	19.50
20P	28.50	31.50



深圳市华德共创科技有限公司

Shenzhen Huade co-create Technology Co., LTD

TEL : 0755-27129737 FAX : 0755-29940187

-TOLERANCES- UNLESS OTHERWISE SPECIFIED 公差参数表				 		TITLE: 产品名称: ZH1.5弯针			
X.X	± 0.30	X.X°	$\pm 3^{\circ}$	APPD: 核准:	谢亮	PART NO: 产品编号: HDGC1501WR-XP			
X.XX	± 0.30	X.XX°	$\pm 2^{\circ}$	CHECK: 校对:	王建业	DATE	SCALE	UNIT	CODE NUMBER
X.XXX	± 0.10	X.XXX°	$\pm 1^{\circ}$	DRAW: 绘图:	黄艳兰	2015-08-10	1:1	mm	A126