



Connectors > Pluggable IO Connectors & Cages > zSFP+ Cage Assembly: EMI Springs



Pluggable I/O Product Type: **Cage Assembly**

Sealable: **No**

Circuit Application: **Signal**

Operating Temperature Range: **-55 – 105 °C [-67 – 221 °F]**

Data Rate (Max): **32 Gb/s**

[All zSFP+ Cage Assembly: EMI Springs \(24\)](#)

Features

Product Type Features

| | |
|----------------------------|---------------|
| Cage Type | Single |
| Pluggable I/O Product Type | Cage Assembly |
| Sealable | No |
| Form Factor | zSFP+ |

Configuration Features

| | |
|---------------------------|-------|
| Number of Ports | 1 |
| Port Matrix Configuration | 1 x 1 |

Electrical Characteristics

| | |
|-----------------|---------|
| Data Rate (Max) | 32 Gb/s |
|-----------------|---------|

Termination Features

| | |
|--------------------------------|--------------------------|
| Termination Post & Tail Length | 3 mm[.118 in] |
| Termination Method to PCB | Through Hole - Press-Fit |

Housing Features

| | |
|---------------|---------------------|
| Cage Material | Nickel Silver Alloy |
|---------------|---------------------|

Dimensions

| | |
|-----------------------------|-----------------|
| PCB Thickness (Recommended) | 1.5 mm[.059 in] |
|-----------------------------|-----------------|



Usage Conditions

| | |
|-----------------------------|----------------------------|
| Operating Temperature Range | -55 – 105 °C[-67 – 221 °F] |
|-----------------------------|----------------------------|

Operation/Application

| | |
|----------------------------|--------------------------|
| Pluggable I/O Applications | zSFP+ Thermally Enhanced |
| Heat Sink Compatible | No |
| Circuit Application | Signal |

Packaging Features

| | |
|------------------|------|
| Packaging Method | Tray |
|------------------|------|

Other

| | |
|------------------------------|-------------------------------|
| Included Lightpipe | No |
| EMI Containment Feature Type | Internal/External EMI Springs |

Product Compliance

[For compliance documentation, visit the product page on TE.com>](#)

| | |
|---|---|
| EU RoHS Directive 2011/65/EU | Compliant |
| EU ELV Directive 2000/53/EC | Compliant |
| China RoHS 2 Directive MIIT Order No 32, 2016 | No Restricted Materials Above Threshold |
| EU REACH Regulation (EC) No. 1907/2006 | Current ECHA Candidate List: JUNE 2024 (241) Candidate List Declared Against: JUNE 2024 (241) Does not contain REACH SVHC |
| Halogen Content | Low Halogen - Br, Cl, F, I < 900 ppm per homogenous material. Also BFR/CFR/PVC Free |
| Solder Process Capability | Not applicable for solder process capability |

Product Compliance Disclaimer

This information is provided based on reasonable inquiry of our suppliers and represents our current actual knowledge based on the information they provided. This information is subject to change. The part numbers that TE has identified as EU RoHS compliant have a maximum concentration of 0.1% by weight in homogenous materials for lead, hexavalent chromium, mercury, PBB, PBDE, DBP, BBP, DEHP, DIBP, and 0.01% for cadmium, or qualify for an exemption to these limits as defined in the Annexes of Directive 2011/65/EU (RoHS2). Finished electrical and electronic equipment products will be CE marked as required by Directive 2011/65/EU. Components may not be CE marked. Additionally, the part numbers that TE has identified as EU ELV compliant have a maximum concentration of 0.1% by weight in homogenous materials for lead, hexavalent chromium, and mercury, and 0.01% for cadmium, or qualify for an exemption to these limits as defined in the Annexes of Directive 2000/53/EC (ELV). Regarding the REACH Regulation, the information TE provides on SVHC in articles for this part number is based on the latest European Chemicals Agency (ECHA) 'Guidance on requirements for substances in articles' posted at this URL: <https://echa.europa.eu/guidance-documents/guidance-on-reach>

Compatible Parts



TE Part # CAT-C11-N490333
QSFP28-Four SFP+ Cable Assembly: 30 AWG



TE Part # CAT-C11-N490325
QSFP28-Four SFP+ Cable Assembly: 26 AWG



TE Part # 2334985-2
SFP28 DIRECT ATTACH CA, 1M, 32AWG



TE Part # CAT-C11-N4901114
SFP28 to SFP28 Cable Assembly: 30 AWG



TE Part # CAT-C11-N49011
SFP28 to SFP28 Cable Assembly: 26 AWG



TE Part # CAT-Q17-N49011
QSFP56-Four SFP56 Cable Assembly: 30 AWG



TE Part # CAT-Q17-N490333
QSFP56-Four SFP56 Cable Assembly: 26 AWG



TE Part # 4-2821224-5
SFP56 DIRECT ATTACH CA, 3M, 26AWG



TE Part # 4-2334985-2
SFP56 DIRECT ATTACH CA, 1M, 32AWG



TE Part # CAT-C11-N490111
SFP28 to SFP28 Cable Assembly: 28 AWG



TE Part # 4-2821222-5
SFP56 DIRECT ATTACH CA, 2M, 30AWG



TE Part # 2215077-1
ASSY, SEATING TOOL ZSFP+

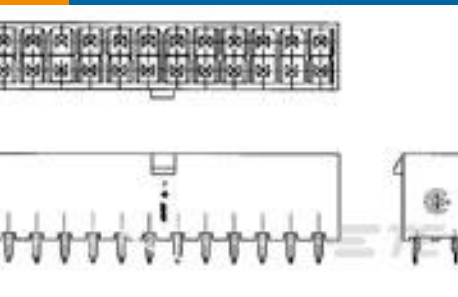
Customers Also Bought



TE Part # F01667-000
WP-191064-10-9



TE Part # 3-1462039-2
IM26TS=IM RELAY 50mW 12V



TE Part # 1586038-8
8P VRT HDR VAL-U-LOK V0



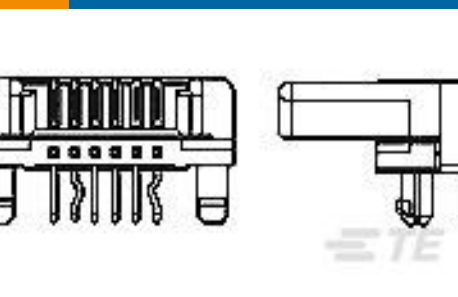
TE Part # 1-2324271-8
LEFT SEGMENT LGA4189-5 SOCKET-P5 FOR ODM



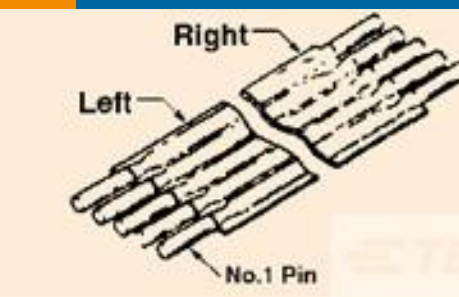
TE Part # 2-2330551-1
SOCKET P4/P5 BACKPLATE ASSY, STUD 6.02MM



TE Part # 2-2340321-1
ASSY STRADDLE MOUNT 168P 093 SLIVER 2.0



TE Part # 3-917360-0
1.25 AF REC ASSY 30P B/TRAY



TE Part # 2-1437144-7
FSN-23A-11=NOMEX FS STD



Documents

Product Drawings

[ZSFP+ 1X1 CAGE ASSEMBLY,PCI, PRESS-FIT,](#)

English

CAD Files

[3D PDF](#)

3D

Customer View Model

[ENG_CVM_CVM_2291579-1_A.2d_dxf.zip](#)

English

Customer View Model

[ENG_CVM_CVM_2291579-1_A.3d_igs.zip](#)

English

Customer View Model

[ENG_CVM_CVM_2291579-1_A.3d_stp.zip](#)

English

By downloading the CAD file I accept and agree to the [Terms and Conditions](#) of use.

Datasheets & Catalog Pages

[zSFP+ Interconnect Brochure](#)

English

Product Specifications

[Application Specification](#)

English