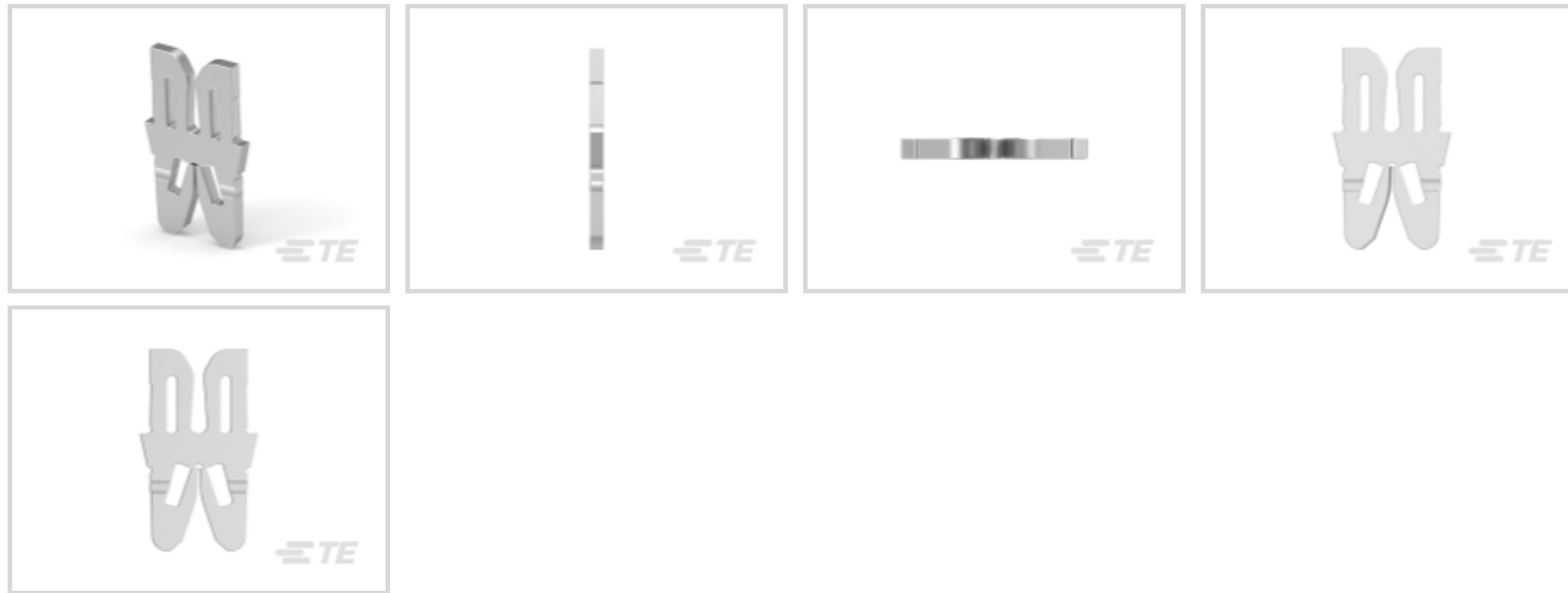




TE Internal #: 2348500-2  
 Blade Receptacle, 1601426, .45 – 1 mm Aluminum Wire, SIAMEZE  
 IDC, Tin Plating, None, Length 7.62 mm [.3 in], Reel/Carton,  
 Magnet Wire Terminals

[View on TE.com >](#)

Terminals & Splices > Magnet Wire Terminals



Magnet Wire Terminal Type: **Blade Receptacle**

Mating Tab Thickness: **.51 mm [.02 in]**

Compatible With Cavity Size: **1601426**

Aluminum Wire Size: **.45 – 1 mm**

Termination Method to Wire & Cable: **SIAMEZE IDC**

## Features

### Product Type Features

Compatible With Discrete Wire Type	Magnet Wire, Solid
------------------------------------	--------------------

### Body Features

Compatible With Cavity Size	1601426
-----------------------------	---------

### Contact Features

Magnet Wire Terminal Type	Blade Receptacle
Mating Tab Thickness	.51 mm [.02 in]
Terminal Plating Material	Tin
Contact Underplating Material	None
Terminal Orientation	Straight

### Termination Features

Termination Method to Wire & Cable	SIAMEZE IDC
------------------------------------	-------------

### Dimensions

Terminal Height	7.62 mm [.3 in]
Aluminum Wire Size	.45 – 1 mm



Stock Thickness (Magnet Wire Side)	.51 mm[.02 in]
------------------------------------	----------------

Product Length	7.62 mm[.3 in]
----------------	----------------

### Usage Conditions

Insulation Option	Uninsulated
-------------------	-------------

Operating Temperature Range	-40 – 125 °C
-----------------------------	--------------

### Operation/Application

Compatible With Wire Base Material	Aluminum
------------------------------------	----------

### Packaging Features

Packaging Method	Reel/Carton
------------------	-------------

## Product Compliance

For compliance documentation, visit the product page on [TE.com](https://www.te.com)>

EU RoHS Directive 2011/65/EU	Compliant
------------------------------	-----------

EU ELV Directive 2000/53/EC	Compliant
-----------------------------	-----------

China RoHS 2 Directive MIIT Order No 32, 2016	No Restricted Materials Above Threshold
---	---

EU REACH Regulation (EC) No. 1907/2006	Current ECHA Candidate List: JUNE 2024 (241) Candidate List Declared Against: JUNE 2024 (241) Does not contain REACH SVHC
--	---

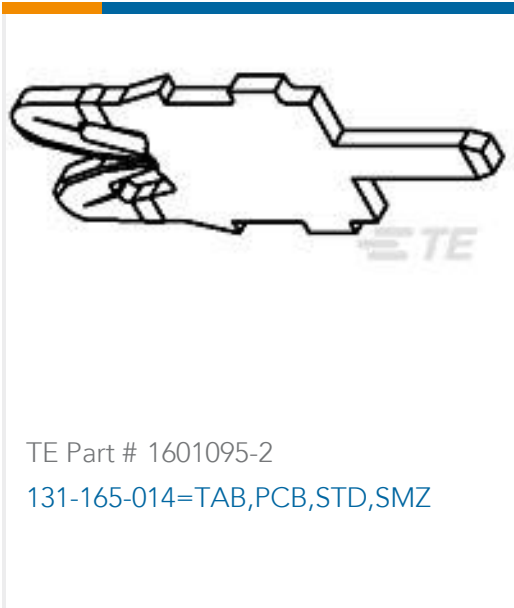
Halogen Content	Low Halogen - Br, Cl, F, I < 900 ppm per homogenous material. Also BFR/CFR/PVC Free
-----------------	---

Solder Process Capability	Not reviewed for solder process capability
---------------------------	--

#### Product Compliance Disclaimer

This information is provided based on reasonable inquiry of our suppliers and represents our current actual knowledge based on the information they provided. This information is subject to change. The part numbers that TE has identified as EU RoHS compliant have a maximum concentration of 0.1% by weight in homogenous materials for lead, hexavalent chromium, mercury, PBB, PBDE, DBP, BBP, DEHP, DIBP, and 0.01% for cadmium, or qualify for an exemption to these limits as defined in the Annexes of Directive 2011/65/EU (RoHS2). Finished electrical and electronic equipment products will be CE marked as required by Directive 2011/65/EU. Components may not be CE marked. Additionally, the part numbers that TE has identified as EU ELV compliant have a maximum concentration of 0.1% by weight in homogenous materials for lead, hexavalent chromium, and mercury, and 0.01% for cadmium, or qualify for an exemption to these limits as defined in the Annexes of Directive 2000/53/EC (ELV). Regarding the REACH Regulation, the information TE provides on SVHC in articles for this part number is based on the latest European Chemicals Agency (ECHA) 'Guidance on requirements for substances in articles' posted at this URL: <https://echa.europa.eu/guidance-documents/guidance-on-reach>

## Compatible Parts

TE Part # 1601095-2  
131-165-014=TAB,PCB,STD,SMZ



TE Part # 1601196-1  
WIRE2BLADE,HIGH CARRIER,STD,SMZ



TE Part # 2-1601196-1  
WIRE2BLADE,HIGH CARRIER,STD,SMZ



TE Part # 2310498-2  
STD,HIGH CARRIER WIRE TO BALDE SIAMEZE



TE Part # 2348501-2  
STD RANGE WIRE TO PCB TAB SMZ TERMINAL



TE Part # 1601196-2  
WIRE2BLADE,HIGH CARRIER,STD,SMZ



TE Part # 1601196-3  
WIRE2BLADE,HIGH CARRIER,STD,SMZ



TE Part # 1601281-3  
WIRE2BLADE,HIGH CARRIER,STD,SMZ



TE Part # 2348500-1  
WIRE TO BLADE SMZ TERMINAL FOR AL WIRE

## Customers Also Bought



TE Part #HDP24-18-14PE  
REC, 14P, BLK, E, 16, P



TE Part #350547-1  
UMNL PIN 20-14 PTPBR L/P



TE Part #521780-1  
250 HSG. PL MKIII REC. 7.11mm 5P NAT



TE Part #964203-5  
STD PW TIMER CONTACT



TE Part #5-2176339-6  
CRGCQ 0603 390K 1%



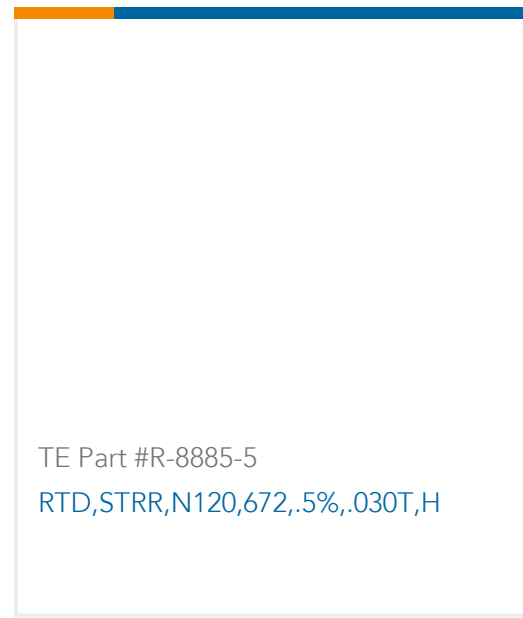
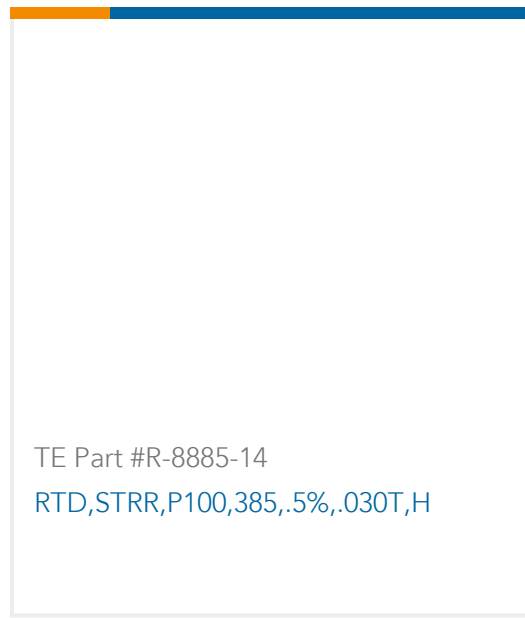
TE Part #1601075-2  
131-145-014=WIRE2BLADE,STD,SMZ



TE Part #R-11705-8  
RTD,BRG,IS,P2100,385,.12%,215D



TE Part #R-11705-7  
RTD,BRG,IS,N2120,672,.5%,.215D



## Documents

### Product Drawings

[WIRE TO BLADE SMZ TERMINAL FOR AL WIRE](#)

English

### CAD Files

[3D PDF](#)

3D

Customer View Model

[ENG\\_CVM\\_CVM\\_2348500-2\\_A.2d\\_dxf.zip](#)

English

Customer View Model

[ENG\\_CVM\\_CVM\\_2348500-2\\_A.3d\\_igs.zip](#)

English

Customer View Model

[ENG\\_CVM\\_CVM\\_2348500-2\\_A.3d\\_stp.zip](#)

English

By downloading the CAD file I accept and agree to the [Terms and Conditions](#) of use.

### Product Specifications

[Application Specification](#)

English