

927852-6 ✓ ACTIVE

Positive Lock | Positive Lock 250

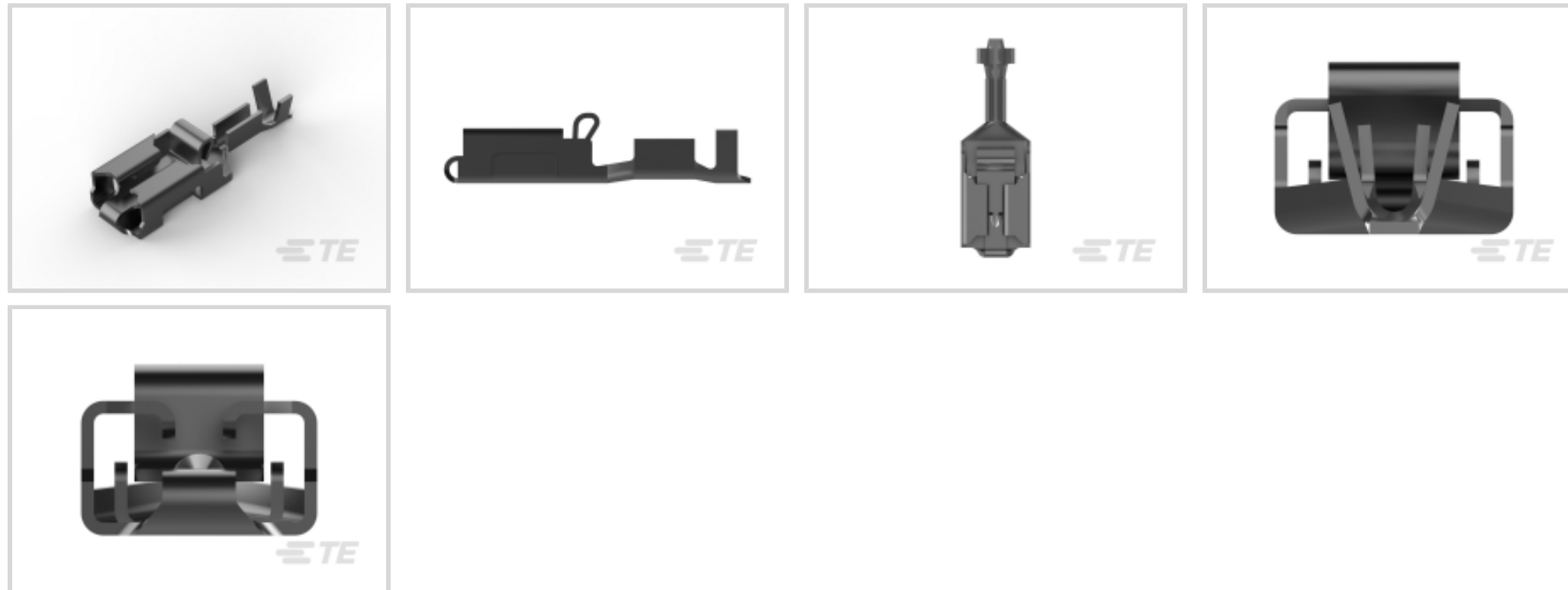
TE Internal #: 927852-6

Receptacle, 20 – 17 AWG Wire Size, .51 – 1.03 mm² Wire Size,
Mating Tab Width 6.35 mm [.25 in], Straight, Positive Lock 250,
Quick Disconnects

[View on TE.com >](#)



Terminals & Splices > Quick Disconnects



Quick Disconnect Terminal Type: **Receptacle**

Wire Size: .51 – 1.03 mm²

Mating Tab Width: 6.35 mm [.25 in]

Mating Tab Thickness: .81 mm [.032 in]

Features

Product Type Features

Insertion Force	Low
-----------------	-----

Configuration Features

Connection Capacity	Single
---------------------	--------

Compatible With Wire & Cable Type	FLK
-----------------------------------	-----

Contact Features

Quick Disconnect Terminal Type	Receptacle
--------------------------------	------------

Mating Tab Width	6.35 mm [.25 in]
------------------	------------------

Mating Tab Thickness	.81 mm [.032 in]
----------------------	------------------

Terminal Orientation	Straight
----------------------	----------

Contact Base Material	Phosphor Bronze
-----------------------	-----------------

Terminal Plating Material	Pre-Tin
---------------------------	---------

Crimp Type	F-Crimp
------------	---------

Barrel Type	Open
-------------	------

Termination Features



Product Terminates To	Wire & Cable
-----------------------	--------------

Mechanical Attachment

Extraction Force	7 – 100 Newton
------------------	----------------

Wire Insulation Support	With
-------------------------	------

Mating Retention Type	Dimple
-----------------------	--------

Dimensions

Terminal Material Thickness	.41 mm[.016 in]
-----------------------------	-----------------

Product Length	22.3 mm[.878 in]
----------------	------------------

Compatible Insulation Diameter Range	1.4 – 2.31 mm[.055 – .091 in]
--------------------------------------	-------------------------------

Wire Size	.51 – 1.03 mm ²
-----------	----------------------------

Usage Conditions

Insulation Option	Uninsulated
-------------------	-------------

Operating Temperature Range	-40 – 110 °C[-40 – 230 °F]
-----------------------------	----------------------------

Industry Standards

Compatible With Agency/Standards Products	UL
---	----

Packaging Features

Packaging Quantity	4500
--------------------	------

Packaging Method	Strip/Reel
------------------	------------

Product Compliance

[For compliance documentation, visit the product page on TE.com>](#)

EU RoHS Directive 2011/65/EU	Compliant
------------------------------	-----------

EU ELV Directive 2000/53/EC	Compliant
-----------------------------	-----------

China RoHS 2 Directive MIIT Order No 32, 2016	No Restricted Materials Above Threshold
---	---

EU REACH Regulation (EC) No. 1907/2006	Current ECHA Candidate List: JUNE 2024 (241) Candidate List Declared Against: JUNE 2024 (241) Does not contain REACH SVHC
--	---

Halogen Content	Low Halogen - Br, Cl, F, I < 900 ppm per homogenous material. Also BFR/CFR/PVC Free
-----------------	---

Solder Process Capability	Not applicable for solder process capability
---------------------------	--

Product Compliance Disclaimer

This information is provided based on reasonable inquiry of our suppliers and represents our current actual knowledge based on the information they provided. This information is subject to change. The part numbers that TE has identified as EU RoHS compliant have a maximum concentration of 0.1% by weight in homogenous materials for lead, hexavalent chromium, mercury, PBB, PBDE, DBP, BBP, DEHP, DIBP, and 0.01% for cadmium, or qualify for an exemption to these limits as defined in the Annexes of Directive 2011/65/EU (RoHS2). Finished electrical and electronic equipment products will be CE marked as required by Directive 2011/65/EU. Components may not be CE marked. Additionally, the part numbers that TE has identified as EU ELV compliant have a maximum concentration of 0.1% by weight in homogenous materials for lead, hexavalent chromium, and mercury, and 0.01% for cadmium, or qualify for an exemption to these limits as defined in the Annexes of Directive 2000/53/EC (ELV). Regarding the REACH Regulation, the information TE provides on SVHC in articles for this part number is based on the latest European Chemicals Agency (ECHA) 'Guidance on requirements for substances in articles' posted at this URL: <https://echa.europa.eu/guidance-documents/guidance-on-reach>

Compatible Parts



TE Part # CAT-T4827-CH8172
Timer Connector Housing



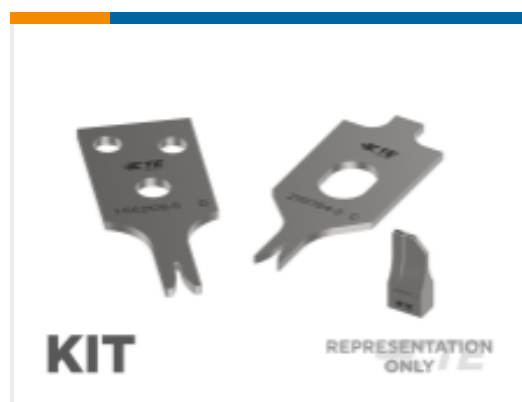
TE Part # 724659-2
EXT TOOL FOR POSITIVE .250



TE Part # 2151161-2
OCEAN_2.0_APPLICATOR-S-081F110OVA-RSA



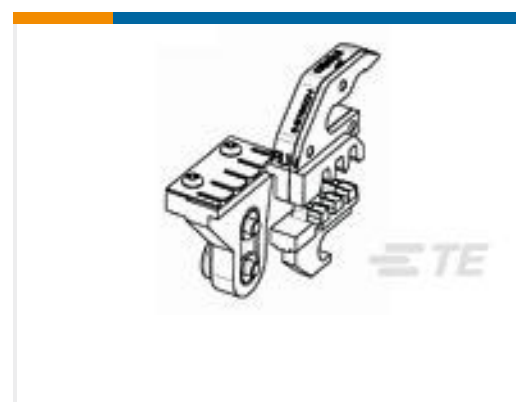
TE Part # 2305570-1
Strip Terminal Cutter-Side Feed-No Crimp



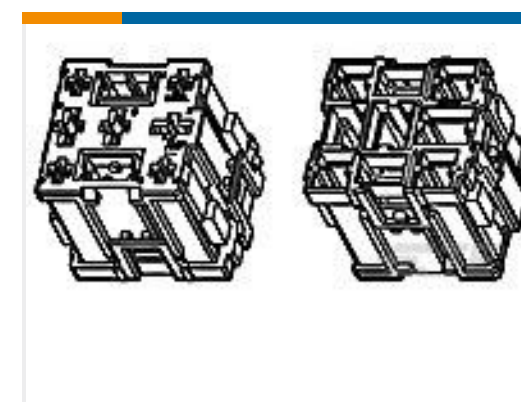
TE Part # 7-2151161-7
OCEAN_2.0_SPARE_PART_KIT-081F110OV



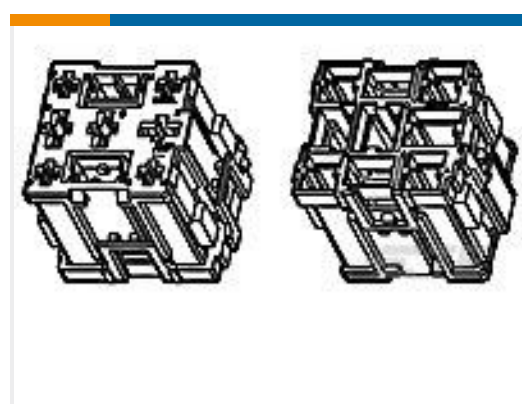
TE Part # 169400
CERTI-LOK FRAME W/O DIES



TE Part # 734469
MATRIZENPAAR



TE Part # 1-444017-1
HSG ASSY TIMER 9P



TE Part # 444017-2
HSG ASSY 9 POS JR

Also in the Series | **Positive Lock 250**



Automotive Terminals(1)



Crimp Terminal Housings(190)



Insertion & Extraction Tools(3)



Insulation Boots & Sleeves(4)



Quick Disconnects(185)

Customers Also Bought



TE Part #2287452-2
56POS,MIXED,REC HSG,025,090,
CODE B,ASSY



TE Part #965914-2
TIMER, RECEPTACLE AND TAB



TE Part #1355289-2
MCP9,5BU-GEH2P,GRAU



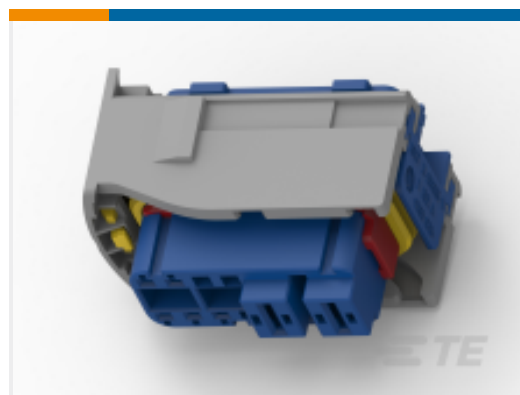
TE Part #2272431-2
1X6 GET UNSLD SIDE LATCH PLUG,
KEY B



TE Part #D58196-000
FL2500-NO.2-19-0-50MM



TE Part #1813712-9
81P ECU KIT



TE Part #1-2141564-0
10POS, MIXED,REC HSG,ASSY,
SEALED,BU



TE Part #1587042-1
34P MALE CAP ASSY-KEY A



TE Part #2005475-2
PCU SLD 105P PLUG ASSY(A-LH)

Documents



Product Drawings

[PL 250 REC TERMINAL 20-17 AWG PTPB](#)

English

CAD Files

[3D PDF](#)

3D

Customer View Model

[ENG_CVM_CVM_927852-6_G.2d_dxf.zip](#)

English

Customer View Model

[ENG_CVM_CVM_927852-6_G.3d_igs.zip](#)

English

Customer View Model

[ENG_CVM_CVM_927852-6_G.3d_stp.zip](#)

English

By downloading the CAD file I accept and agree to the [Terms and Conditions](#) of use.

Datasheets & Catalog Pages

[1654742_HOUSEHOLD_APPLIANCES_RAST5](#)

English

Product Specifications

[6,3mm Positiv Lock Contact](#)

English

[Application Specification](#)

English

[Application Specification](#)

German

[Application Specification](#)

English