

# Product data sheet

## Subminiature connectors



Product description **Bayonet Female panel mount connector, Contacts: 7, unshielded, solder, IP40**

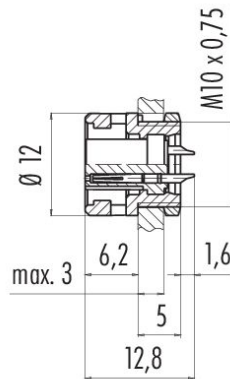
Area **series 710**

Part no. **09 9478 00 07**

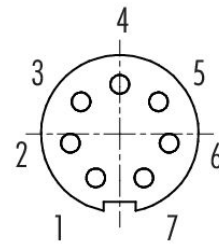
### Illustration



### Scale drawing



### Contact arrangement (Plug-in side)



You can find the component part drawing and assembly instructions on the next page.

### Technical data

#### General features

Part no.	<b>09 9478 00 07</b>
Connector design	Female panel mount connector
Version	Connector socket straight
Connector locking system	Bayonet
Termination	solder
Degree of protection	IP40
Cross-sectional area	0.14 mm <sup>2</sup> / AWG 26
Temperature range from/to	-40 °C / 85 °C
Mechanical operation	> 500 Mating cycles
Weight (g)	1.70
Customs tariff number	85369010
Country of Origin	DE

#### Electrical parameters

Rated voltage	125 V
Rated impulse voltage	1500 V
Rated current	1.0 A
Insulation resistance	≥ 10 <sup>10</sup> Ω
Pollution degree	1
Overvoltage category	II
Insulating material group	III

# Product data sheet

## Subminiature connectors



Product description **Bayonet Female panel mount connector, Contacts: 7, unshielded, solder, IP40**

Area **series 710**  
Part no. **09 9478 00 07**

EMC compliance unshielded

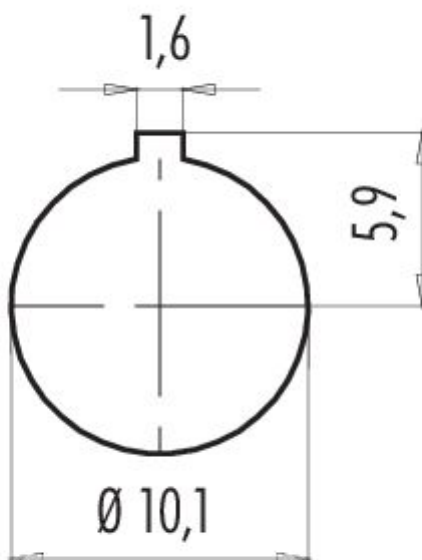
### Material

Housing material	PA
Contact body material	PA (UL94 V-0)
Contact material	CuSn (bronze)
Contact plating	Au (gold)
REACH SVHC	CAS 7439-92-1 (Lead)
SCIP number	3e9040ca-a9e6-42f3-8f42-cd479f32a1fc

### Classifications

eCl@ss 11.1	27-44-01-09
ETIM 9.0	EC003569

### Assembly instructions / Panel cut-out



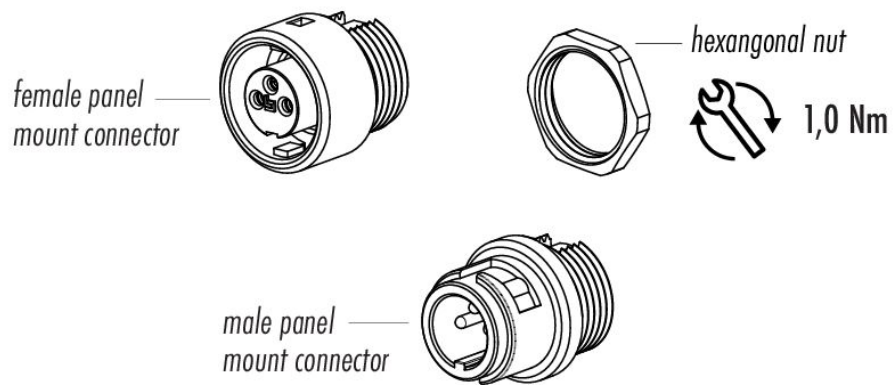
# Product data sheet

## Subminiature connectors

Product description **Bayonet Female panel mount connector, Contacts: 7, unshielded, solder, IP40**

Area **series 710**  
Part no. **09 9478 00 07**

### Component part drawing



Product description	<b>Bayonet Female panel mount connector, Contacts: 7, unshielded, solder, IP40</b>
Area	<b>series 710</b>
Part no.	<b>09 9478 00 07</b>

### **General Disclaim Notice**

The connector must not be plugged or unplugged under load. Non-observance and improper use can result in personal injury.

The connectors have been developed for applications in plant engineering, control and electrical equipment construction. The user is responsible for checking whether the connectors can also be used in other areas of application.

Connectors which are used in circuits with voltages dangerous to the touch may only be installed and used by, or under the supervision of, persons with electrical engineering training, taking into account the applicable regulations and standards.

The user must take suitable safety precautions to ensure that the connector cannot be accidentally disconnected.

The plug connector is not suitable for mains voltages Please observe the pollution degree and the overvoltage category. For further information, please refer to the download center "Technical Information".