

NOTES

- ① 材料及び仕上げ(めっき仕様) : TABLE1参照
MATERIAL AND FINISES:SEE TABLE 1
2. 製品仕様 : 2147190000-PS 001
PRODUCT SPECIFICATION : 2147190000-PS 001
3. 梱包仕様 : 2147219200-SPK 200
PACKING SPECIFICATION : 2147219200-SPK 200
4. 嵌合相手 : 214719 SERIES
MATE WITH : 214719 SERIES
5. アプリケーション仕様書
(コネクタ取扱い説明書) : 2166940000-AS 000
APPLICATION SPECIFICATION
(CONNECTOR MANUAL) : 2166940000-AS 000

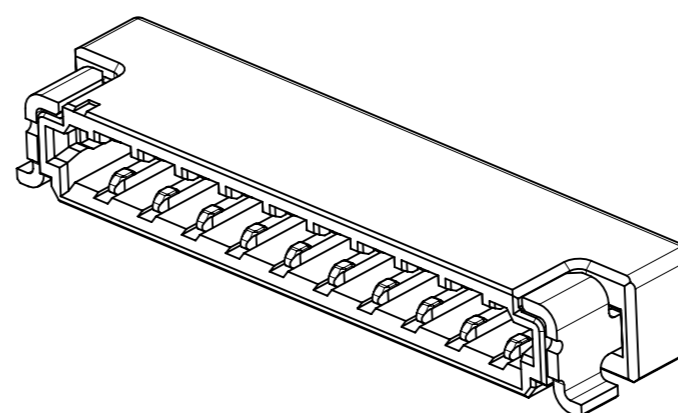
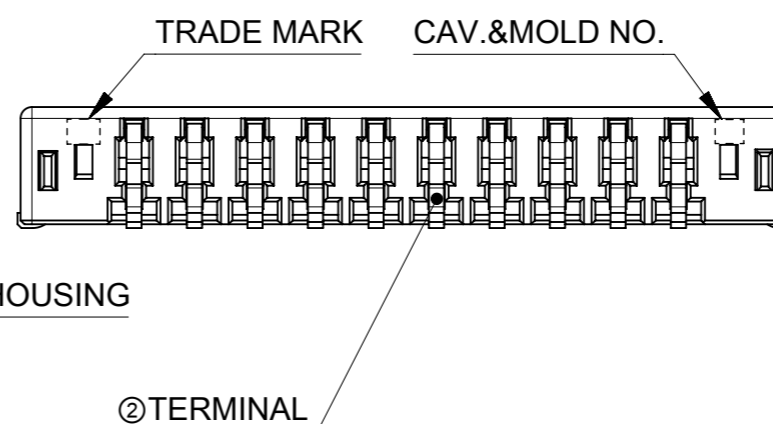
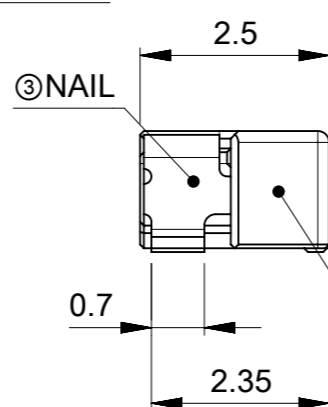
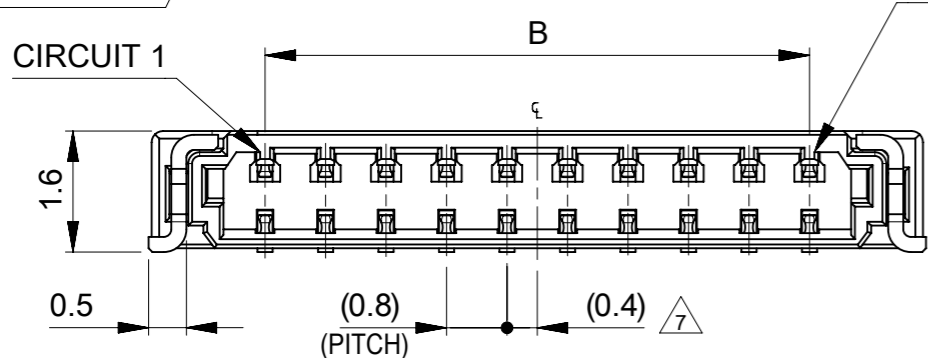
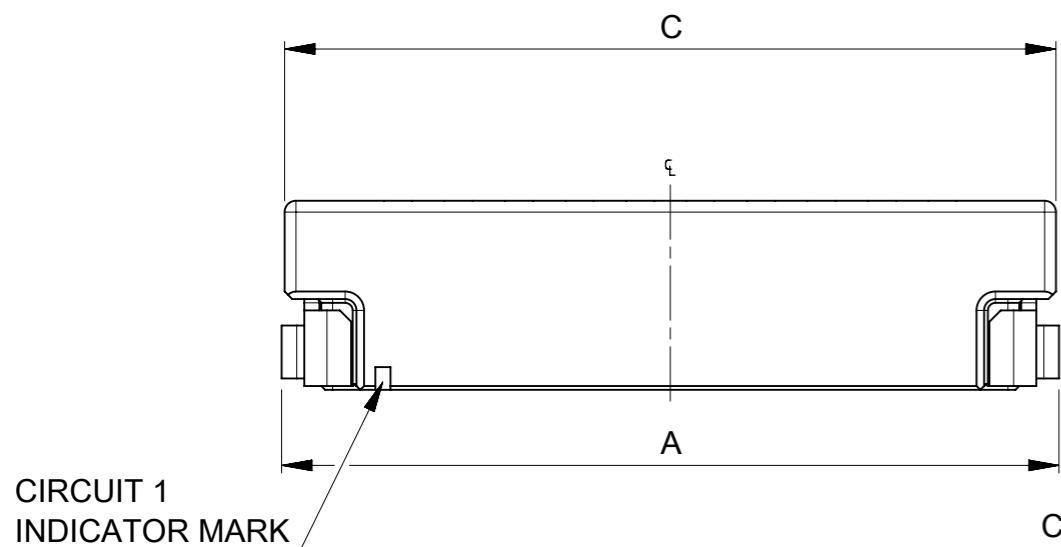
6. 端子テール部及びネイルの平坦度 : 0.1MAX.
TAIL AND NAIL COPLANARITY TO BE 0.1 MAX.
- ⑦ 極数 = 偶数に適応
APPLY FOR CIRCUIT SIZE = EVEN
- ⑧ 発注番号(製品番号) : SHEET 4の製品一覧を参照ください
ORDER No (MATERIAL No) :
REFER TO SHEET 4 FOR PRODUCT LIST

214721 0**1

シリーズ番号
SERIES No.

極数
CIRCUIT SIZE

9. 本製品のプラスチック部に黒点、白点等が確認される場合や色合いが異なる場合がありますが、製品機能に影響はありません。
THERE IS NO INFLUENCE IN THE PRODUCT PERFORMANCE THOUGH THE BLACK AND WHITE SPOT ETC.
MIGHT BE CONFIRMED TO THE PLASTIC PART OF THIS PRODUCT AND THE SHADE MIGHT BE DIFFERENT.

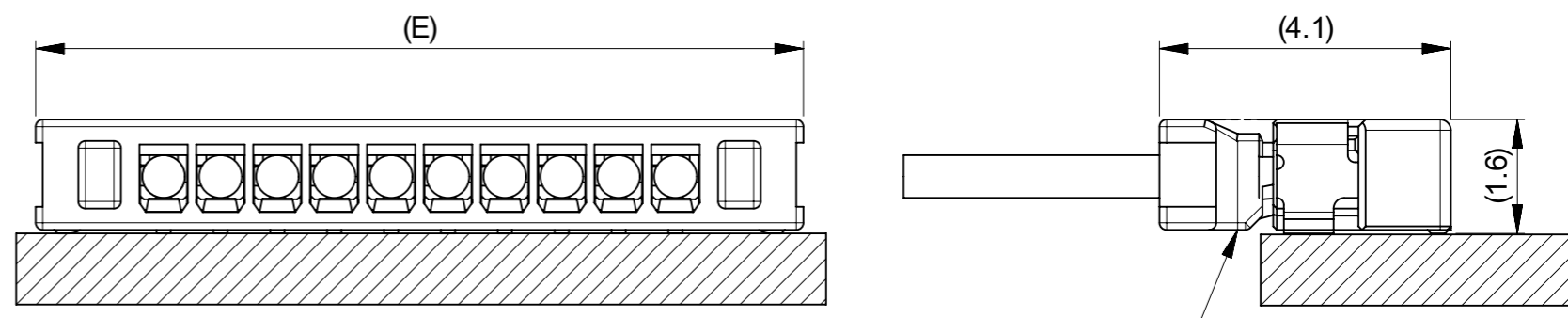
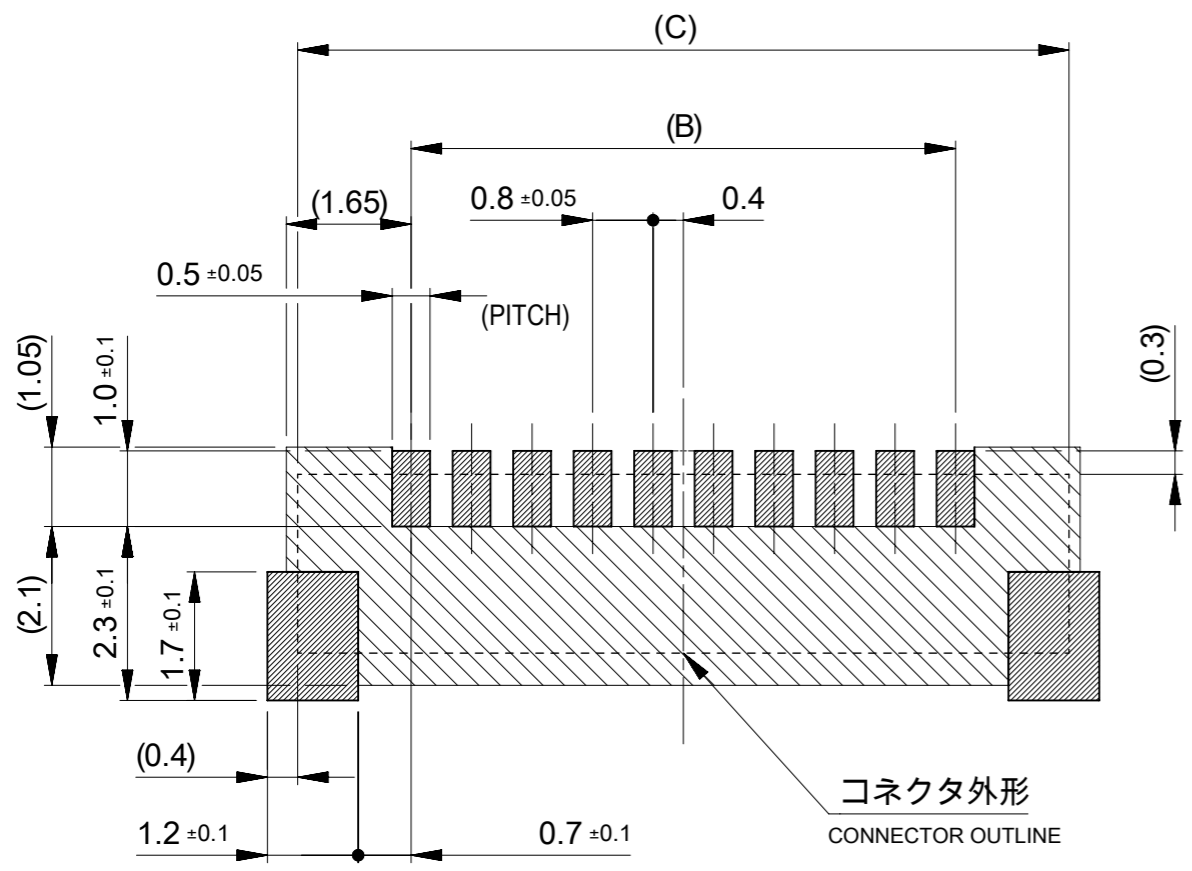


① TABLE 1

番号 NO.	部品 PART	材質 MATERIAL	
①	ハウジング HOUSING	液晶ポリマー(LCP), UL94 V-0, LOW HALOGEN, 黒 LIQUID CRYSTAL POLYMER(LCP), UL94 V-0, LOW HALOGEN, BLACK	
②	ターミナル TERMINAL	銅合金 COPPER ALLOY	
		接点部 CONTACT AREA	金めっき : 0.1 MICROMETER MINIMUM GOLD PLATING
		半田付け部 TAIL AREA	金めっき : GOLD PLATING
		下地めっき UNDER PLATING	ニッケルめっき(下地) : 1.0 MICROMETER MINIMUM NICKEL (UNDER PLATING)
③	ネイル NAIL	リン青銅 PHOSPHOR BRONZE	
		半田付け部 TAIL AREA	錫めっき(リフロー処理) : 1.0 MICROMETER MINIMUM MATTE TIN REFLOW TREATMENT
		下地めっき UNDER PLATING	ニッケルめっき(下地) : 1.0 MICROMETER MINIMUM NICKEL (UNDER PLATING)

18.8		18.2	15.2	18.28	20
18.0		17.4	14.4	17.48	19
17.2		16.6	13.6	16.68	18
16.4		15.8	12.8	15.88	17
15.6		15	12	15.08	16
14.8		14.2	11.2	14.28	15
14.0	5.6	13.4	10.4	13.48	14
13.2		12.6	9.6	12.68	13
12.4		11.8	8.8	11.88	12
11.6		11	8	11.08	11
10.8		10.2	7.2	10.28	10
10.0		9.4	6.4	9.48	9
9.2		8.6	5.6	8.68	8
8.4	3.2	7.8	4.8	7.88	7
7.6		7	4	7.08	6
6.8		6.2	3.2	6.28	5
6.0	2.9	5.4	2.4	5.48	4
5.2	2.1	4.6	1.6	4.68	3
4.4	1.3	3.8	0.8	3.88	2
E	D	C	B	A	極数 CIRCUIT SIZE

DIMENSION UNITS		SCALE	CURRENT REV DESC:		
mm	NTS				
GENERAL TOLERANCES (UNLESS SPECIFIED)			molex		
ANGULAR TOL ± 3.0°			ZERO-HACHI 0.8 HDR ASSEMBLY SINGLE ROW RIGHT ANGLE GOLD PLATING		
4 PLACES	± 0.2	EC NO: 747483	PRODUCT CUSTOMER DRAWING		
3 PLACES	± 0.2	DRWN: HKOBAYASHI 2023/03/06	DOCUMENT NUMBER		
2 PLACES	± 0.2	CHK'D: AIDA 2023/07/20	2147210000-SD		
1 PLACE	± 0.2	APPR: SAKIYAMA 2023/07/20	DOC TYPE DOC PART REVISION		
0 PLACES	± 0.2	INITIAL REVISION:	PSD 001 A		
DRAFT WHERE APPLICABLE MUST REMAIN WITHIN DIMENSIONS		DRWN: HKOBAYASHI 2023/03/06	MATERIAL NUMBER		
THIRD ANGLE PROJECTION		APPR: SAKIYAMA 2023/07/20	CUSTOMER		
DRAWING		SERIES	SHEET NUMBER		
A3-SIZE		214721	GENERAL 1 OF 4		

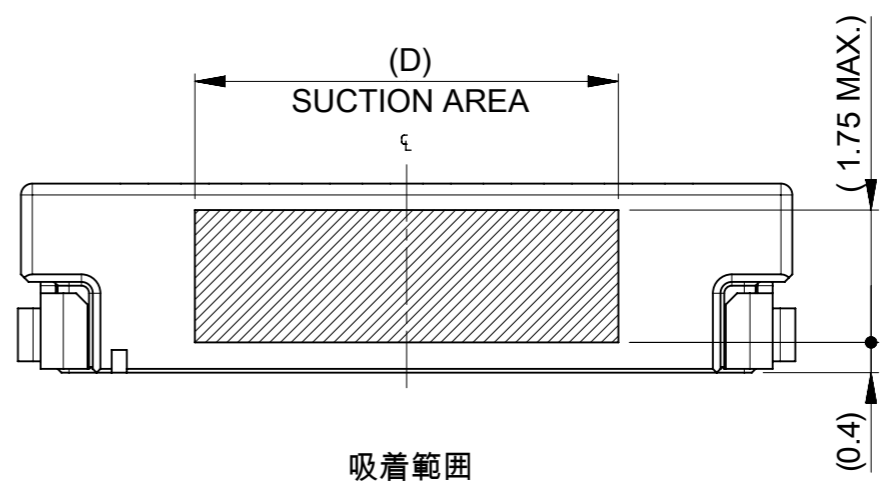


嵌合相手 : 214719シリーズ
MATE WITH:214719 SERIES

嵌合状態図
MATED CONNECTORS

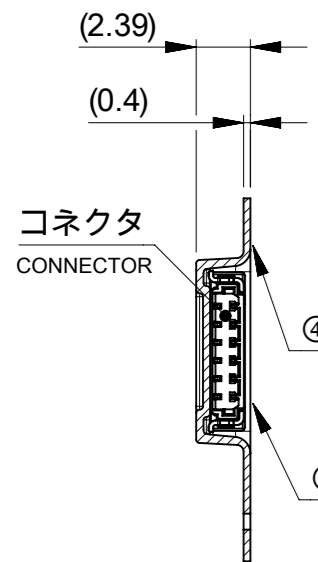
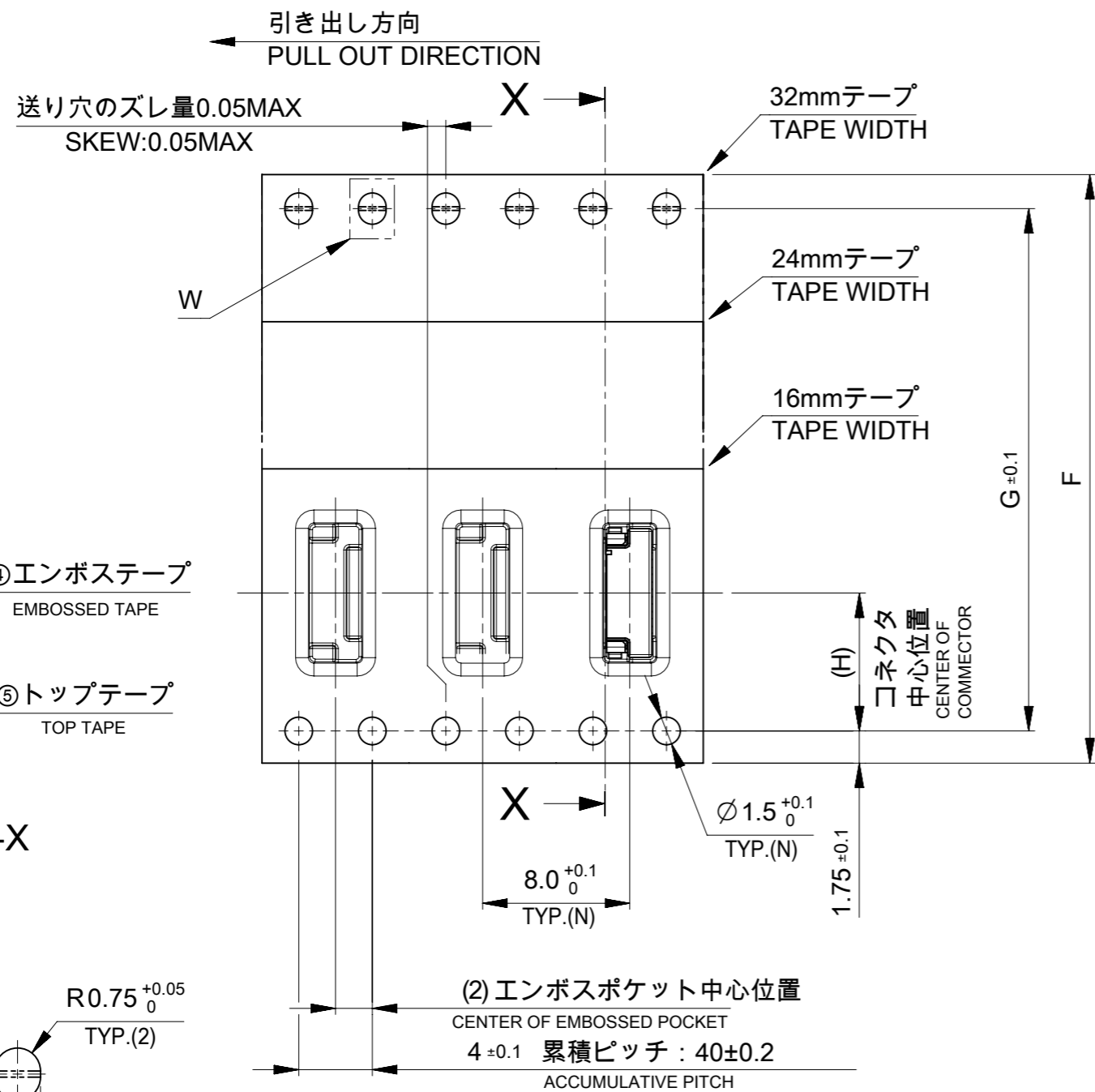
推奨基板パターンレイアウト(参考)
RECOMENDED PCB PATTERN LAYOUT(REF.)
(参考 : メタルマスク厚さ 0.1mm, マスク開口率100%)
(REF:METAL MASK THICKNESS 0.1mm, APERTURE RATIO 100%)

パターン非推奨エリア
パターンを引き回す際は、製品機能に影響がないことをご確認ください。
PATTERN IS NOT RECOMMENDED ON THE HATCHING AREA
PLEASE CHECK NOT TO HAVE PROBLEM FOR PRODUCT FUNCTION
WHEN SETTING PATTERN ON THE HATCHING AREA.

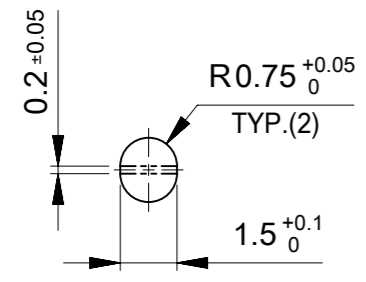


吸着範囲
SUCTION AREA

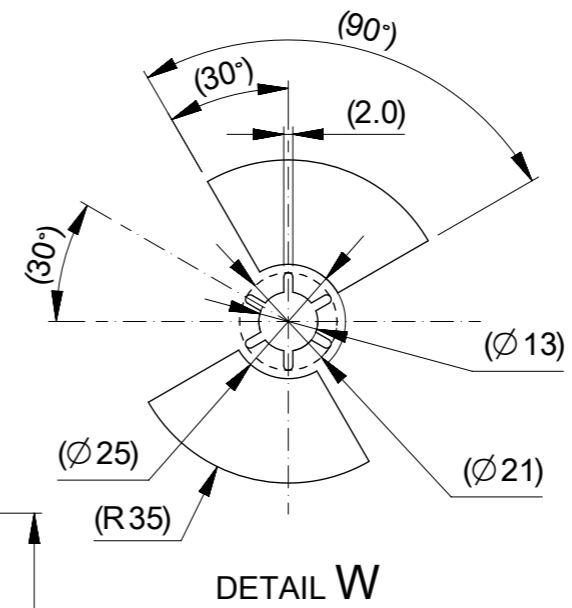
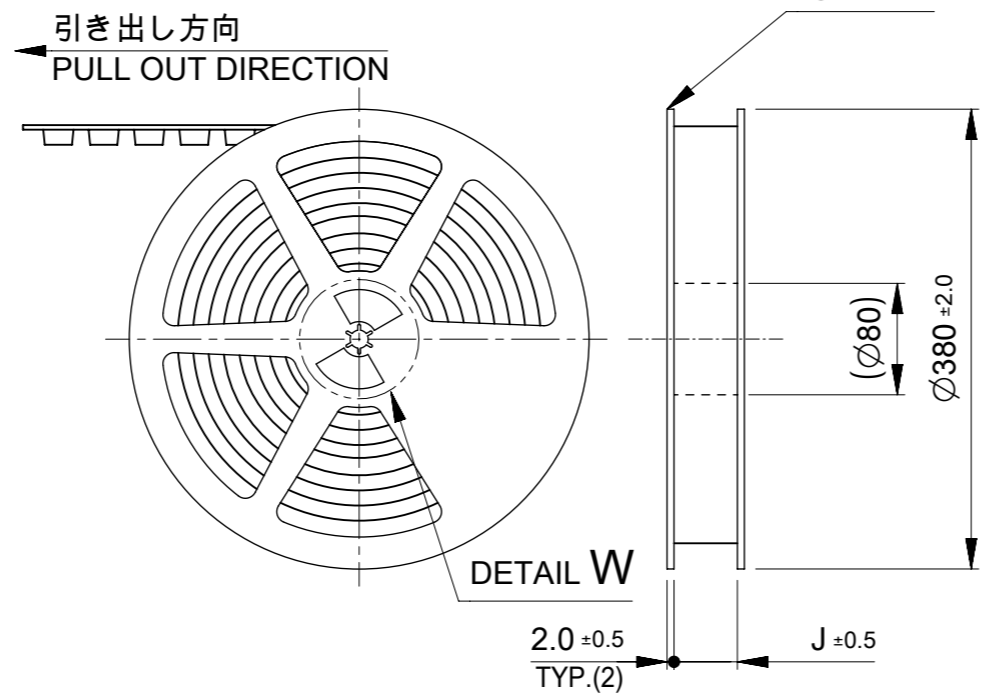
THIS DRAWING CONTAINS INFORMATION THAT IS PROPRIETARY TO MOLEX ELECTRONIC TECHNOLOGIES, LLC AND SHOULD NOT BE USED WITHOUT WRITTEN PERMISSION									
DIMENSION UNITS		SCALE		CURRENT REV DESC:				molex	
mm		NTS							
GENERAL TOLERANCES (UNLESS SPECIFIED)				EC NO: 747483				ZERO-HACHI 0.8 HDR ASSEMBLY	
ANGULAR TOL ± 3.0°				DRWN: HKOBAYASHI 2023/03/06				SINGLE ROW RIGHT ANGLE GOLD PLATING	
4 PLACES ± 0.2				CHK'D: AIDA 2023/07/20				PRODUCT CUSTOMER DRAWING	
3 PLACES ± 0.2				APPR: SAKIYAMA 2023/07/20				DOCUMENT NUMBER	
2 PLACES ± 0.2				INITIAL REVISION:				DOC TYPE	
1 PLACE ± 0.2				DRWN: HKOBAYASHI 2023/03/06				DOC PART	
0 PLACES ± 0.2				APPR: SAKIYAMA 2023/07/20				REVISION	
DRAFT WHERE APPLICABLE MUST REMAIN WITHIN DIMENSIONS				THIRD ANGLE PROJECTION		DRAWING		SERIES	
						A3-SIZE		214721	
				MATERIAL NUMBER		CUSTOMER		SHEET NUMBER	
				2147210000-SD		GENERAL		2 OF 4	



SECTION X-X

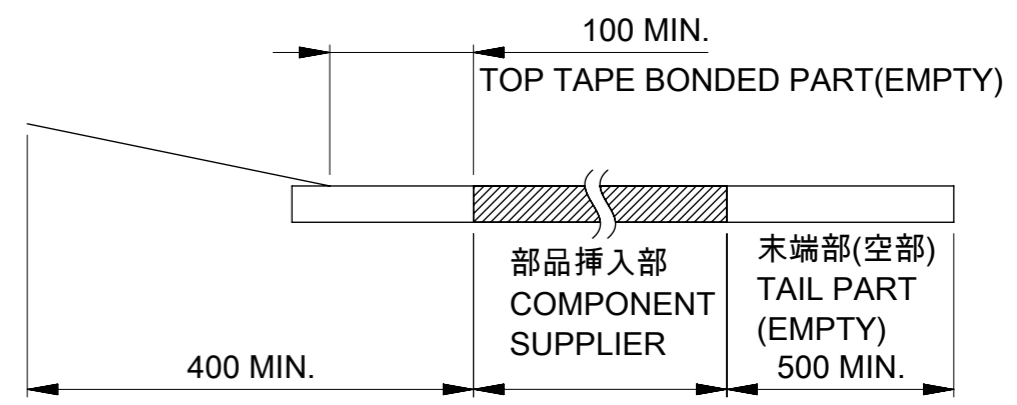


DETAIL W
SCALE 5:1



DETAIL W

NOTES
 梱包数量 : 5,000個
 NUMBER OF CONNECTORS:5,000PIECES/REEL
 リードテープ長さ
 LEAD TAPE LENGTH



トップテープの剥離強度はIEC60286-3に準拠。
 TOP TAPE PELING FORCE IS DEFINED BY IEC60286-3.
 梱包仕様書 : 2147219200-SPK PS 200
 PACAGING SPECIFICATION:2147219200-SPK PS 200

33.5	14.2	28.4	32±0.3	20
				19
				18
				17
				16
				15
				14
				13
25.5	11.5	-	24+0.3/-0.1	12
				11
				10
				9
				8
				7
				6
17.5	7.5	-	16+0.3/-0.1	5
				4
				3
				2
J	H	G	エンボステープ幅F WIDTH OF TAP F	極数 CIRCUIT SIZE

番号 No.	部品 PART	材質 MATERIAL
④	エンボステープ EMBOSSED TAPE	ポリスチレン(PS) POLYSTYLENE(PS), etc
⑤	トップテープ TOP TAPE	ポリエチレン(PE),その他 POLYETHYLENE(PE), etc
⑥	リール REEL	ポリスチレン(PS) POLYSTYLENE

THIS DRAWING CONTAINS INFORMATION THAT IS PROPRIETARY TO MOLEX ELECTRONIC TECHNOLOGIES, LLC AND SHOULD NOT BE USED WITHOUT WRITTEN PERMISSION

DIMENSION UNITS: mm SCALE: NTS

GENERAL TOLERANCES (UNLESS SPECIFIED): ANGULAR TOL ± 3.0°

4 PLACES ± 0.2
3 PLACES ± 0.2
2 PLACES ± 0.2
1 PLACE ± 0.2
0 PLACES ± 0.2

EC NO: 747483
DRWN: HKOBAYASHI 2023/03/06
CHK'D: AIDA 2023/07/20
APPR: SAKIYAMA 2023/07/20

INITIAL REVISION:
DRWN: HKOBAYASHI 2023/03/06
APPR: SAKIYAMA 2023/07/20

THIRD ANGLE PROJECTION

DRAFT WHERE APPLICABLE MUST REMAIN WITHIN DIMENSIONS

DRAWING: A3-SIZE
SERIES: 214721

CURRENT REV DESC:

molex

ZERO-HACHI 0.8 HDR ASSEMBLY
SINGLE ROW RIGHT ANGLE GOLD PLATING

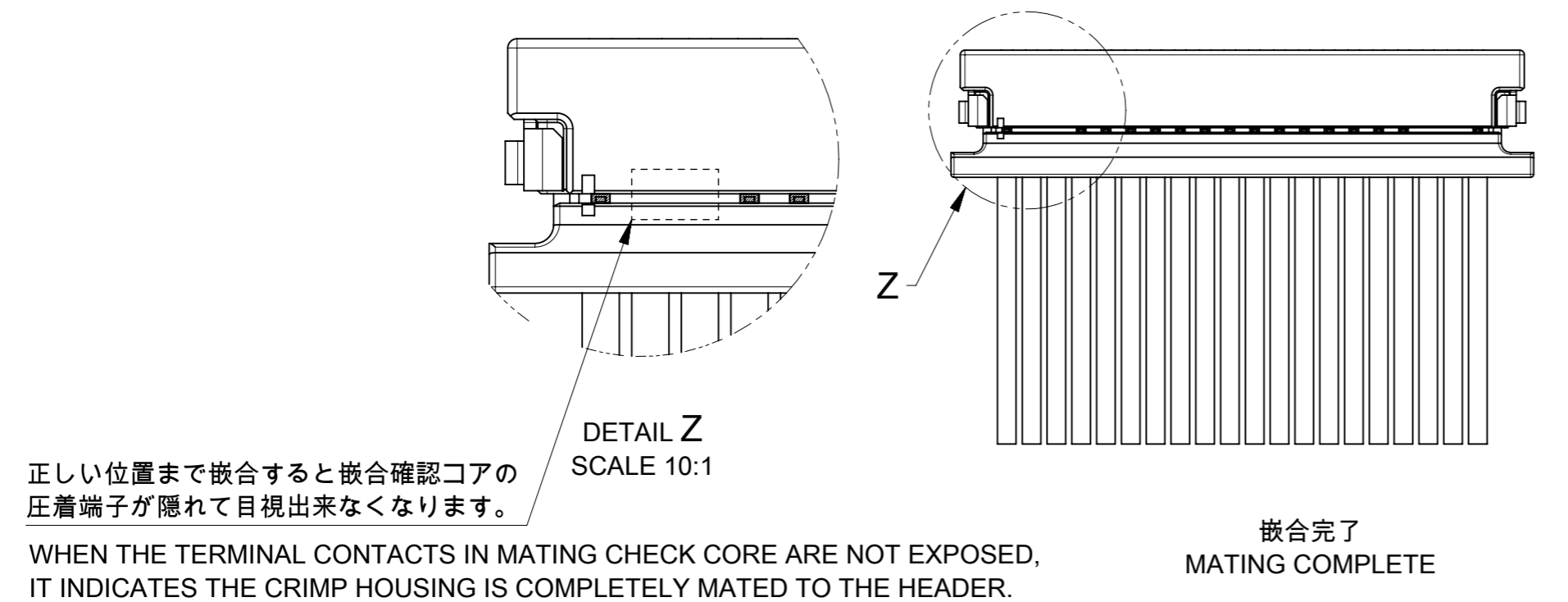
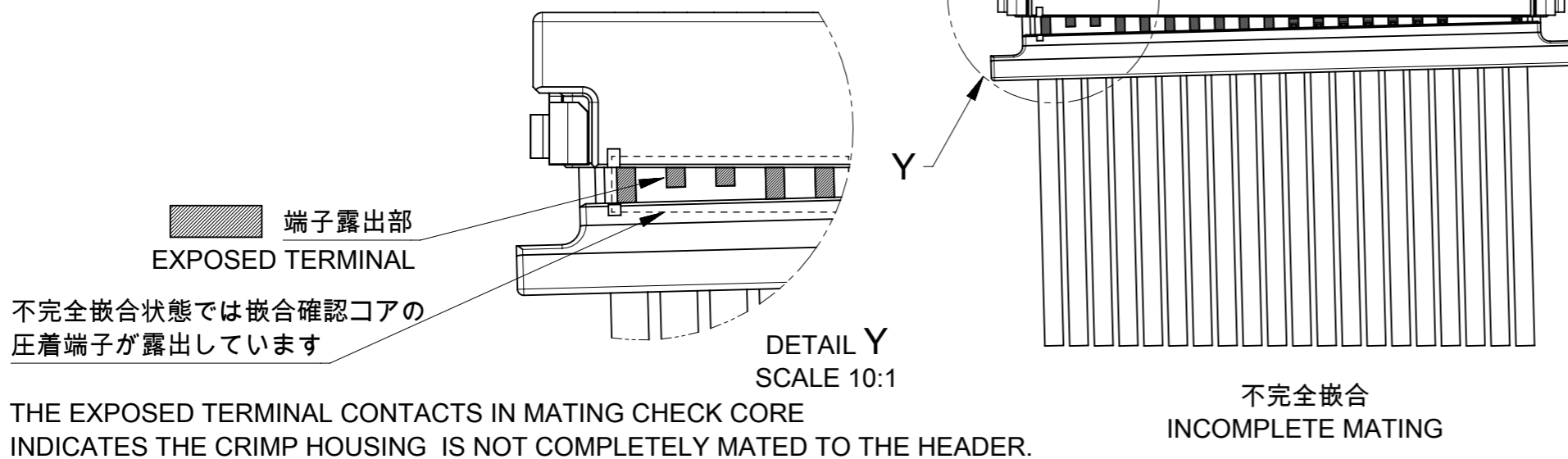
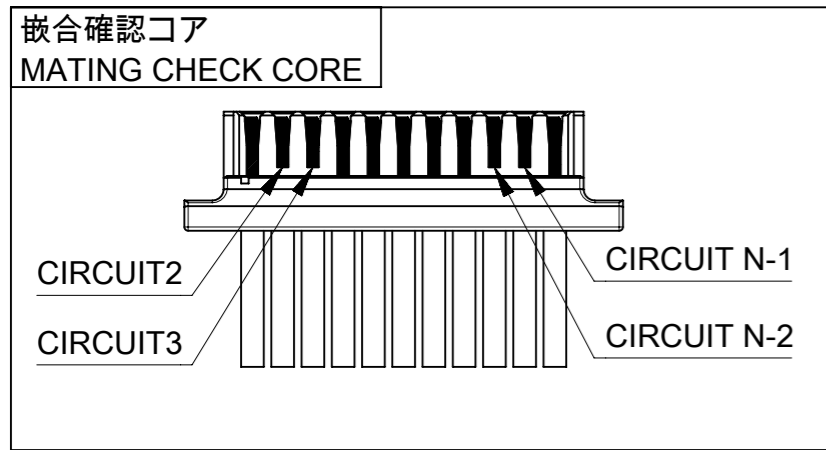
PRODUCT CUSTOMER DRAWING

DOCUMENT NUMBER: 2147210000-SD
DOC TYPE: PSD
DOC PART: 001
REVISION: A

MATERIAL NUMBER: GENERAL
CUSTOMER: GENERAL
SHEET NUMBER: 3 OF 4

不完全嵌合防止形状(11極 ~ 20極)

INCOMPLETE MATING PREVENTION SHAPE (11~20 CIRCUIT)



△ 8 発注番号一覧
ORDER NUMBER LIST

黒 BLACK	ハウジング色 HOUSING COLOR
214721 0201	20
214721 0191	19
214721 0181	18
214721 0171	17
214721 0161	16
214721 0151	15
214721 0141	14
214721 0131	13
214721 0121	12
214721 0111	11
214721 0101	10
214721 0091	9
214721 0081	8
214721 0071	7
214721 0061	6
214721 0051	5
214721 0041	4
214721 0031	3
214721 0021	2
発注番号 ORDER NO.	極数 CIRCUIT SIZE
梱包形態 : エンボスリール PACKAGE:EMBOSSED REEL	

THIS DRAWING CONTAINS INFORMATION THAT IS PROPRIETARY TO MOLEX ELECTRONIC TECHNOLOGIES, LLC AND SHOULD NOT BE USED WITHOUT WRITTEN PERMISSION

DIMENSION UNITS mm	SCALE NTS	CURRENT REV DESC:		molex		
GENERAL TOLERANCES (UNLESS SPECIFIED)		EC NO: 747483				
ANGULAR TOL ± 3.0°	4 PLACES ± 0.2	DRWN: HKOBAYASHI	2023/03/06	PRODUCT CUSTOMER DRAWING		
3 PLACES ± 0.2	3 PLACES ± 0.2	CHK'D: AIDA	2023/07/20	DOCUMENT NUMBER		
2 PLACES ± 0.2	2 PLACES ± 0.2	APPR: SAKIYAMA	2023/07/20	2147210000-SD		DOC TYPE DOC PART REVISION
1 PLACE ± 0.2	1 PLACE ± 0.2	INITIAL REVISION:				PSD 001 A
0 PLACES ± 0.2	0 PLACES ± 0.2	DRWN: HKOBAYASHI	2023/03/06	MATERIAL NUMBER		CUSTOMER
DRAFT WHERE APPLICABLE MUST REMAIN WITHIN DIMENSIONS		APPR: SAKIYAMA	2023/07/20	214721		GENERAL
THIRD ANGLE PROJECTION		DRAWING	SERIES	SHEET NUMBER		
A3-SIZE				4 OF 4		