

NOTES:

- MATERIAL:
 - HOUSING: THERMOPLASTIC, HIGH TEMP, UL94 V-0, COLOR: BLACK.
 - CONTACTS: COPPER ALLOY.
 - DUMMY CARD: THERMOPLASTIC, HIGH TEMP, UL94 V-0, COLOR: BLACK.
- FINISH:

CONTACT:
SELECTIVE GOLD PLATING ON THE CONTACT AREA.
100μ" MIN. MATTE-TIN PLATING ON THE SOLDERTAILS,
50μ" MIN. NICKEL UNDERPLATING OVERALL.
- PRODUCT SPEC.: PS-GEN4-01
- PACKAGING SPEC.: 318304001

PART NO.

PCIE-G403 X X X D XX

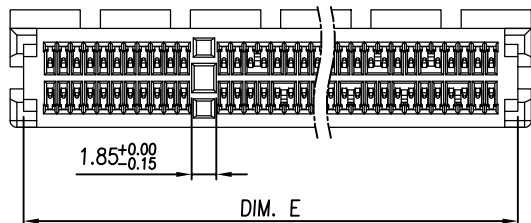
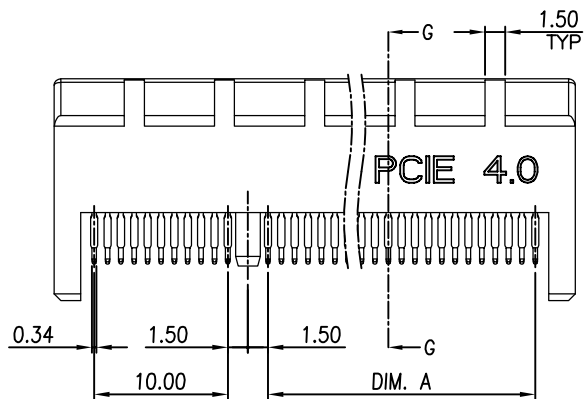
Post Options
0: With Post
1: Without Post

Contact Plating
0: 30u" Au
1: 15u" Au
2: Gold Flash

Halogen Options
Blank: Halogen
HF: Halogen Free

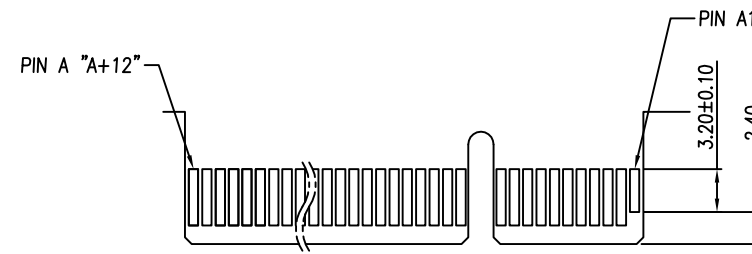
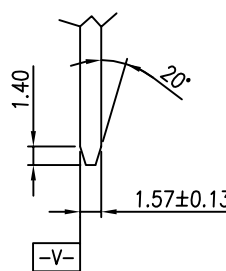
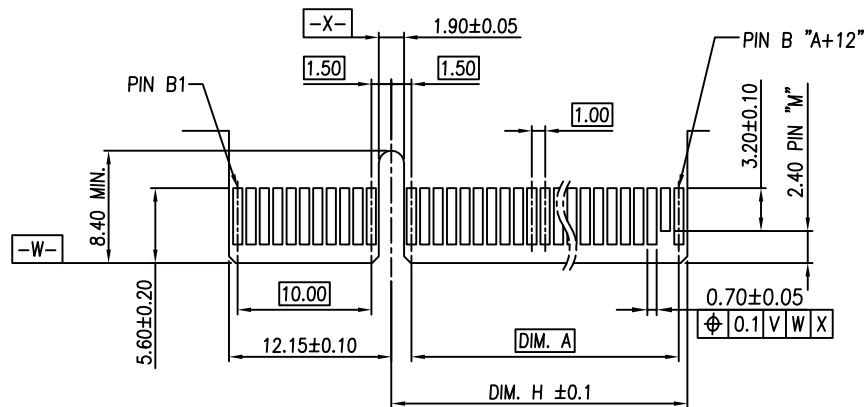
Packaging Options
D: Tray + Dummy Card

No. of Pins
0: 36P
1: 64P
2: 98P
3: 164P



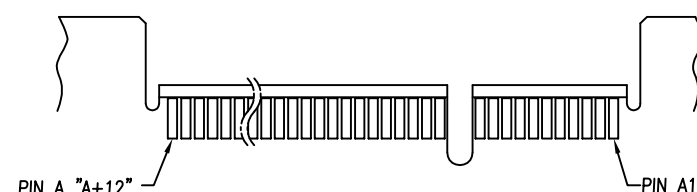
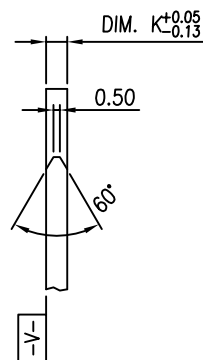
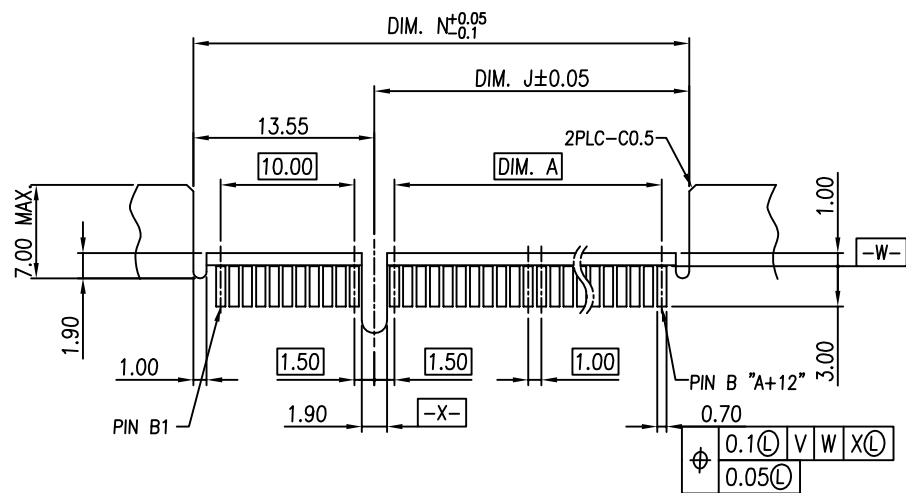
DIMENSIONS				
POSITION	A±0.20	B ^{+0.20} / _{-0.08}	D±0.25	E ^{+0.05} / _{-0.2}
36	6.0	7.65	25.0	23.0
64	20.0	21.65	39.0	37.0
98	37.0	38.65	56.0	54.0
164	70.0	71.65	89.0	87.0

				TOLERANCE		UMax 东莞市友贸实业有限公司 DONGGUAN UMAX ENTERPRISE LIMITED		TITLE: PCI EXPRESS 4.0 STRADDLE MOUNT TYPE					
				LINEAR	ANGLES			PART NO. PCIE-G403XXXDXX					
				X.±0.40	X'±	APPD: Jason		DWG NO. C-PCIE-G403					
				.X±0.30	.X'±	CHKD: Schumi		UNITS SCALE SHEET REV					
				.XX±0.20	.XX'±	DRWN: Schumi		MM 1 : 1 1 OF 3 0					
REV	ECN NO.	NAME	DATE	.XXX±0.10	.XXX'±	Q'TY:							
		Schumi	Aug,07,2024										



I/O PANEL DIRECTION
PRIMARY (COMPONENT) SIDE

NOTES:
CHAMFER EDGE MUST BE FREE OF CUTTING BURRS



RECOMMENDED PCB LAYOUT
TOLERANCE: ±0.05

DIMENSIONS					
POSITION	A	H	J	N	"M"
36	6.0	8.15	9.55	23.1	B17
64	20.0	22.15	23.55	37.1	B31
98	37.0	39.15	40.55	54.1	B48
164	70.0	72.15	73.55	87.1	B81

TOLERANCE	
LINEAR	ANGLES
X.±0.40	X'±
.X±0.30	.X'±
.XX±0.20	.XX'±
.XXX±0.10	.XXX'±

UMax conn 东莞市友贸实业有限公司
DONGGUAN UMAX ENTERPRISE LIMITED

APPD: Jason MAT'L:

CHKD: Schumi FINISH:

DRWN: Schumi Q'TY:

TITLE: PCI EXPRESS 4.0
STRADDLE MOUNT TYPE

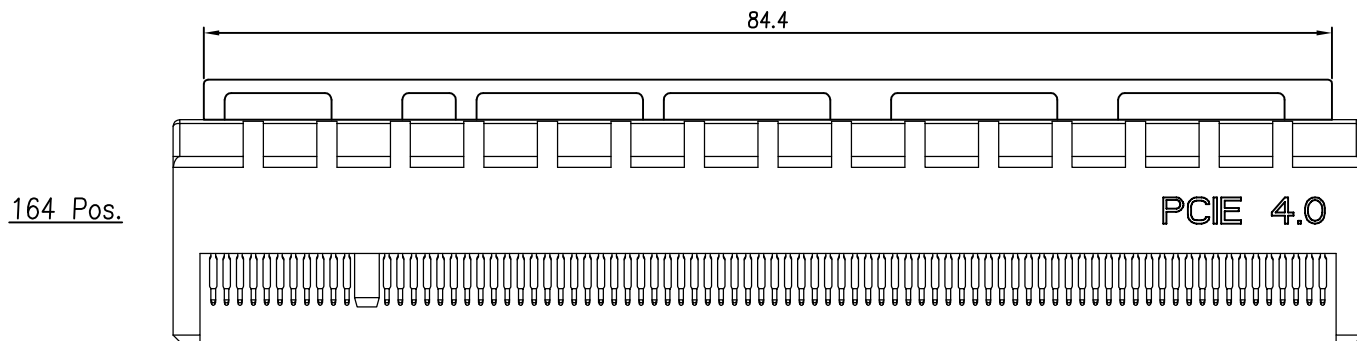
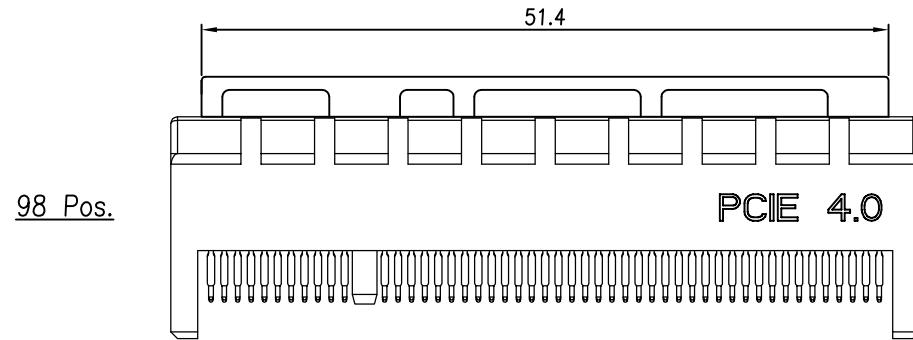
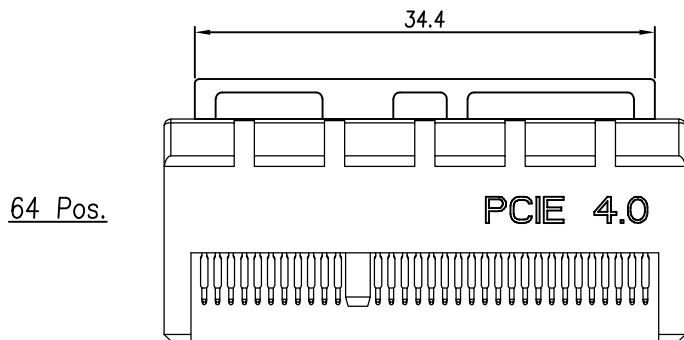
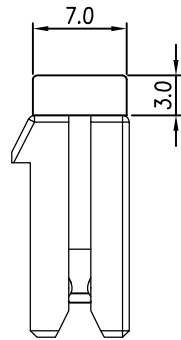
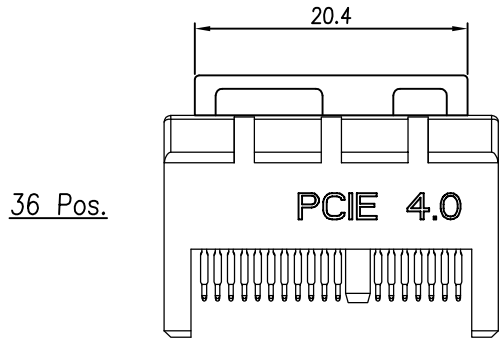
PART NO. PCIE-G403XXXDXX

DWG NO. C-PCIE-G403

UNITS	SCALE	SHEET	REV
MM	1 : 1	2 OF 3	0

REV	ECN NO.	NAME	DATE
	See Sheet 1		

WITH Dummy Card



TOLERANCE		UMax conn 东莞市友贸实业有限公司 DONGGUAN UMAX ENTERPRISE LIMITED	APPD: Jason	MAT'L:
LINEAR	ANGLES			
X.±0.40	X'±	CHKD: Schumi	FINISH:	Q'TY:
.X±0.30	.X'±			
.XX±0.20	.XX'±	DRWN: Schumi		
.XXX±0.10	.XXX'±			

TITLE:		PCI EXPRESS 4.0 STRADDLE MOUNT TYPE			
PART NO.		PCIE-G403XXXDXX			
DWG NO.		C-PCIE-G403			
UNITS	SCALE	SHEET	REV		
				MM	1 : 1

See Sheet 1			
REV	ECN NO.	NAME	DATE