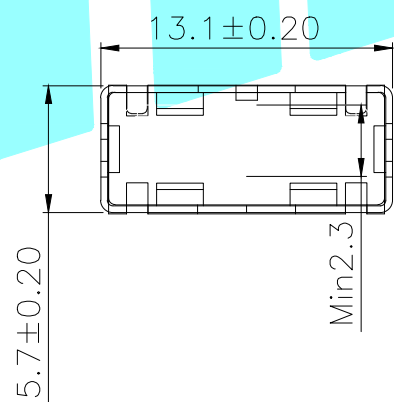
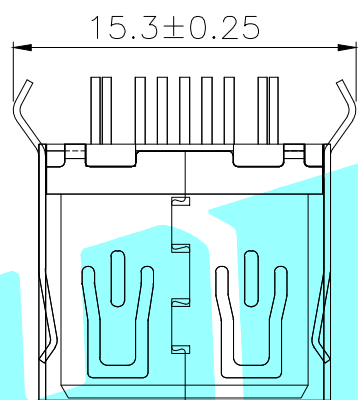
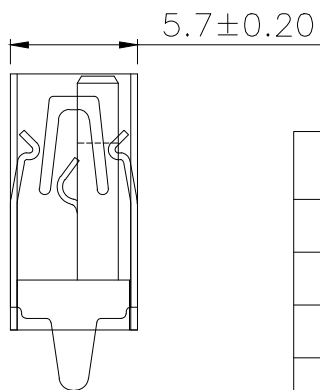
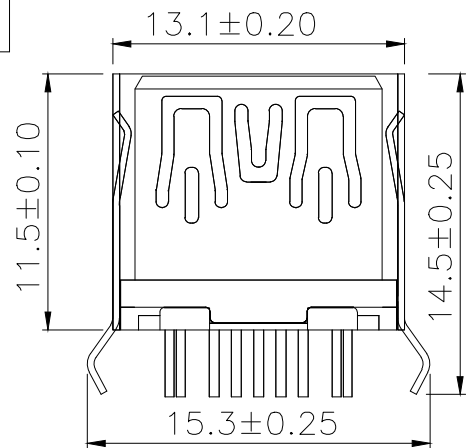
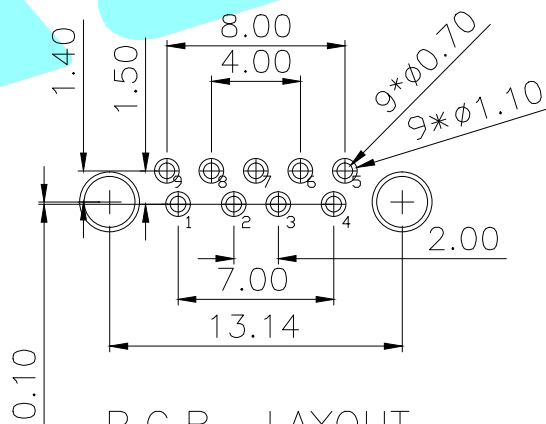


ROHS



PIN NU_BER	SIGNAL NAME
1	USB电压
2	D-(负极)
3	D+(正极)
4	地线
5	SSRX-
6	SSRX+
7	GND(地线)
8	SSRX-
9	SSRX+
shell	SHIELD



P.C.B LAYOUT
TOL: ±0.05

规格说明 Specifications:

电气特性 Electrical:

1. 额定电流 Current Rating: 1.5A/contact terminal 接触端子
2. 额定电压 Voltage Rating: 30V DC
3. 接触阻抗 Contact Resistance: 30 milliohms MAX
4. 耐压 Dielectric Withstanding Voltage: 500 V AC AT Sea Level
5. 绝缘阻抗 Insulation Resistance: 1000MEGA ohms MIN

物理性能 Mechanical:

1. 插拔力 Connector Mate and Unmate Force: Mate force: 3.57kgf (MAX) Unmate force: 1.02kgf (MIN)
2. 端子保持力 Terminal Retention: 1.0kgf (MIN)

原材料 Material:

1. 塑胶 Housing: Hing Temperature Thermoplastics,
2. 端子 Contact: H65黄铜 Copper Alloy C2680
3. 外壳 Shell: H65黄铜 Copper Alloy C2680/SPCC

电镀 Finish:

1. 端子 Contact: Plated Gold in Mating Area; Tin On Solder Talls
- 端子四周镀锡 30-50U" (MIN), 镀金区域镀金 1U"
2. 外壳: Shell: 铁壳四周镀 80U" (MIN) 镍

Nickel Plating

APPROVALS		DATE		HRO 韩豪® ELECTRONICS CO., LTD		
DRAWN	LIUCAN	2020.11.30	TITLE:		USB CONNECTOR	
CHECKED			PART NO.		U-A-39DD-W-3	
APPROVALS			UNIT: mm	SCALE: 1:1	Proj:	
TOLERANCES ARE	30~以上 ±0.30	10~30 ±0.25	ANGLE	UNIT: mm	SCALE: 1:1	
	5~10 ±0.20	~ 5 ±0.15	±2'	DRAWING NO.	SHEET 1 OF 1	

ECN NO.	REV.	DATE.	DESCRIPTION.	CHANGE.	CHECK.	APPRO.
	A		NEW			