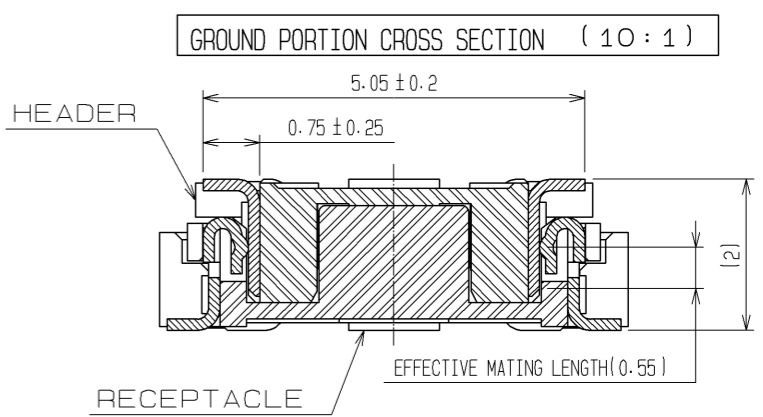
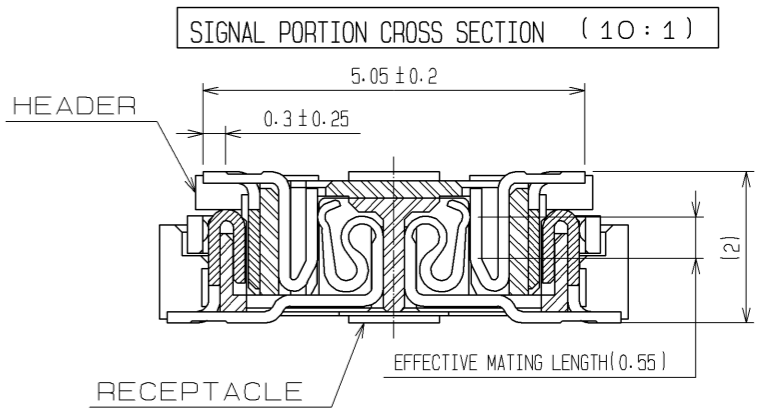
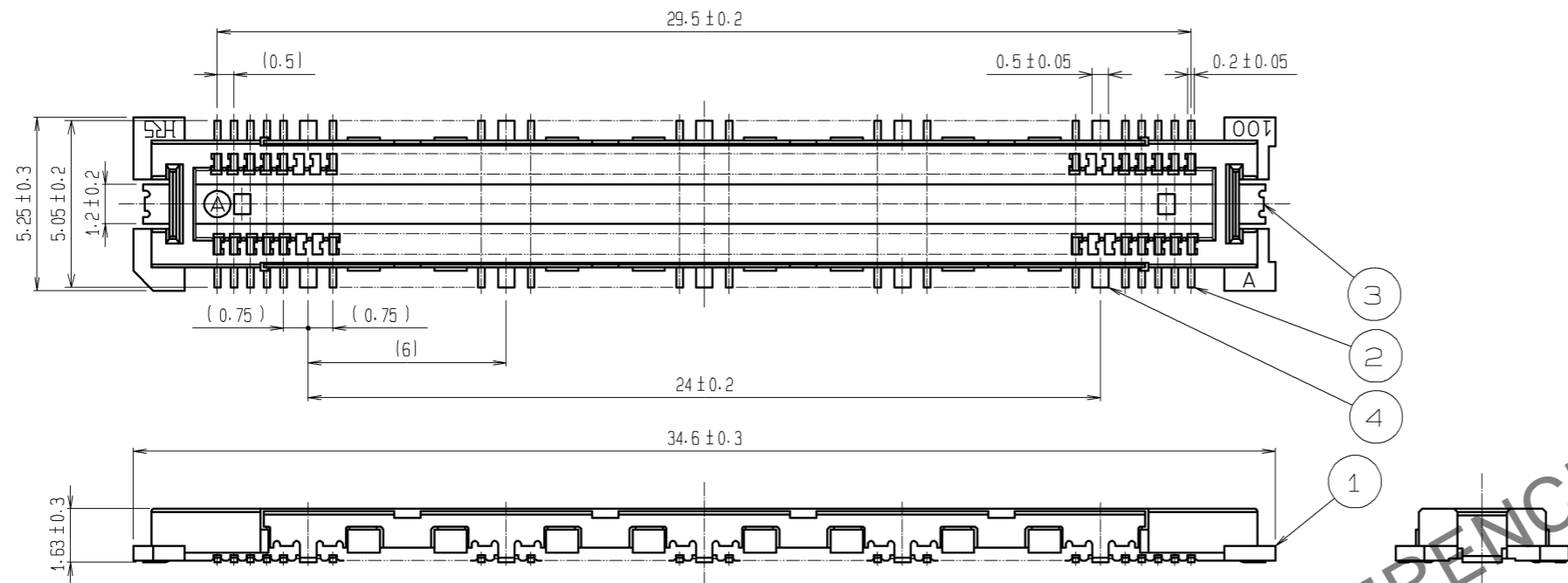
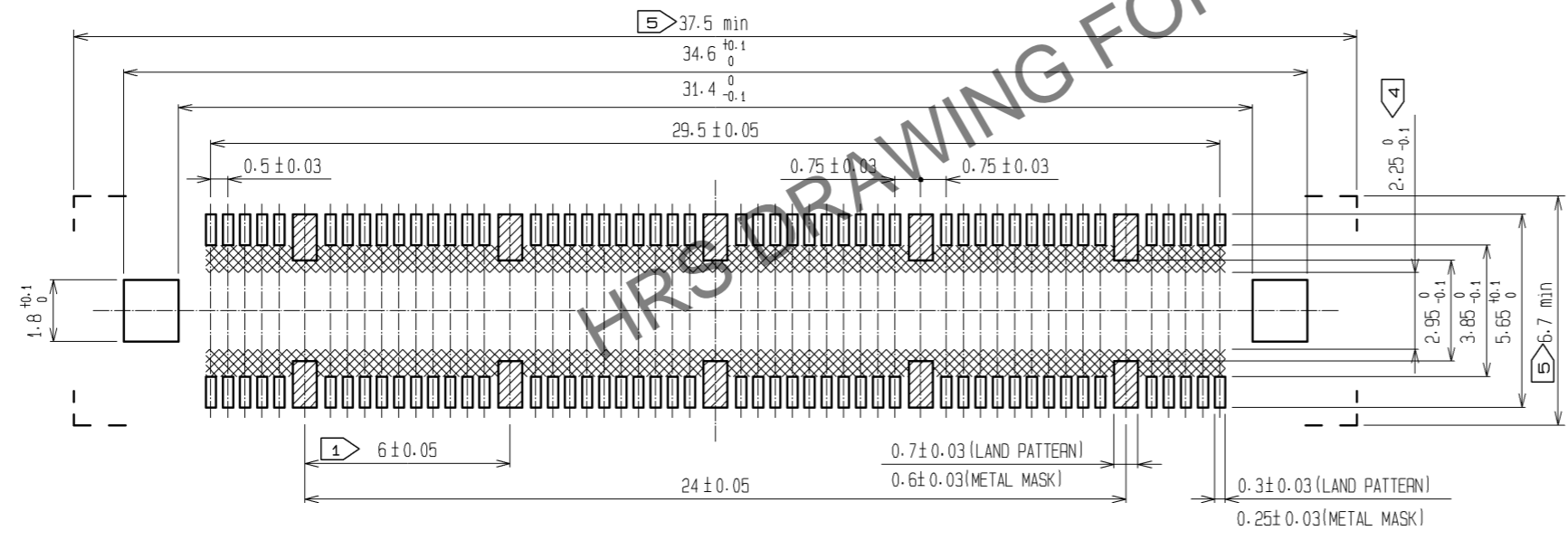


Jul.1.2024 Copyright 2024 HIROSE ELECTRIC CO., LTD. All Rights Reserved.
 In case of consideration for using Automotive equipment / device which demand high reliability, kindly contact our sales window correspondents.



RECOMMENDED LAND PATTERN DIMENSION OF PCB



- NOTES
- ① 10 HATCHED PARTS: GROUND CIRCUIT.
 - ② SMT LEAD-COPLANARITY: 0.1 MAX.
 - ③ THIS PRODUCT HAS NO POLARITY TO PATTERN FOR MOUNTING.
 - ④ MAKE SURE WIDTH OF PATTERN IS WITHIN THAT OF LAND, OR LEAD MAY TOUCH PATTERN. (THIS APPLIES TO HATCHED AREA.)
 - ⑤ DO NOT MOUNT OTHER DEVICES ONTO AREA, OR MATING PAIR CANNOT BE MATED.
 - ⑥ THE DIMENSIONS IN PARENTHESES ARE FOR REFERENCE.

1	LCP	BEIGE	UL94V-0	4	PHOSPHOR BRONZE	TIN PLATING
NO.	MATERIAL	FINISH	REMARKS	NO.	MATERIAL	FINISH
				3	PHOSPHOR BRONZE	TIN PLATING
				2	COPPER ALLOY	CONTACT AREA : GOLD 0.1μm min.
			LEAD AREA : GOLD FLASH			
			UNDER PLATING : NICKEL 1μm min.			

UNITS		SCALE	COUNT	DESCRIPTION OF REVISIONS	DESIGNED	CHECKED	DATE
mm		5 : 1					
HRS HIROSE ELECTRIC CO., LTD.		APPROVED : HS. OKAWA	07.06.04	DRAWING NO.		EDC3-152098-25	
		CHECED : HS. OZAWA	07.06.04	PART NO.		FX11LB-100P/10-SV(71)	
		DESIGNED : SY. KAMIGA	07.06.04	CODE NO.		CL573-0014-6-71	
		DRAWN : HK. SUNADORI	07.05.30			1/1	