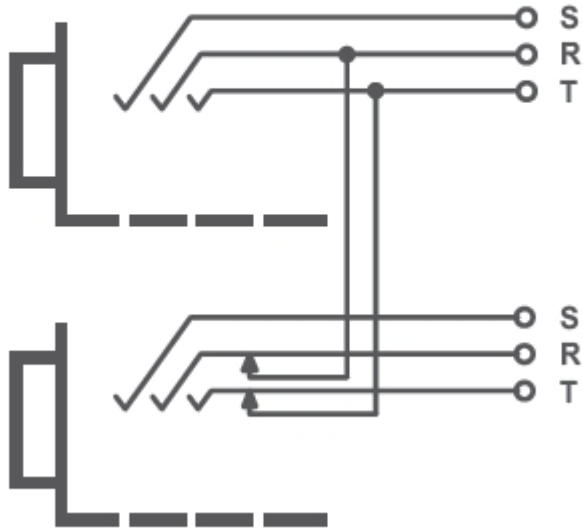




NJ3TTA-4-HNB

Blocks of 2 pre-configured jack-pairs, half normalised bottom row, cover ident color: clear

Half Normalised Bottom



Technical Information

| Product | |
|-----------------|--------------|
| Title | NJ3TTA-4-HNB |
| Connection Type | Patch Panel |

| Electrical | |
|-----------------------|--|
| Signal Type | Digital suitability acc. AES/EBU (3.072 Mb/s and 6.144 Mb/s) |
| Contact resistance | 20 m Ω |
| Contact resistance | < 25 m Ω |
| Dielectric strength | 1 kVdc |
| Frequencyrange | DC to > 50 MHz |
| Insulation resistance | > 1 G Ω @ 500 V dc |
| Channel separation | > 100 dB @ 10 kHz, 600 terminated > 40 dB @ 6 MHz, 110 terminated |

| Mechanical | |
|------------------|----------------------|
| Insertion force | < 10 N |
| Withdrawal force | > 8 N |
| Lifetime | > 5000 mating cycles |
| Wire size | |

| Material | |
|-----------------|--|
| Contact plating | TRIBOR® (0.2 µm AuCo over 2 µm NiP) (Jacks) |
| Contacts | Bronze (CuSn6) (Jacks) |
| Shell | PA 66 blend (Jacks) |

| Environmental | |
|-------------------|------------------|
| Temperature range | -30 °C to +80 °C |