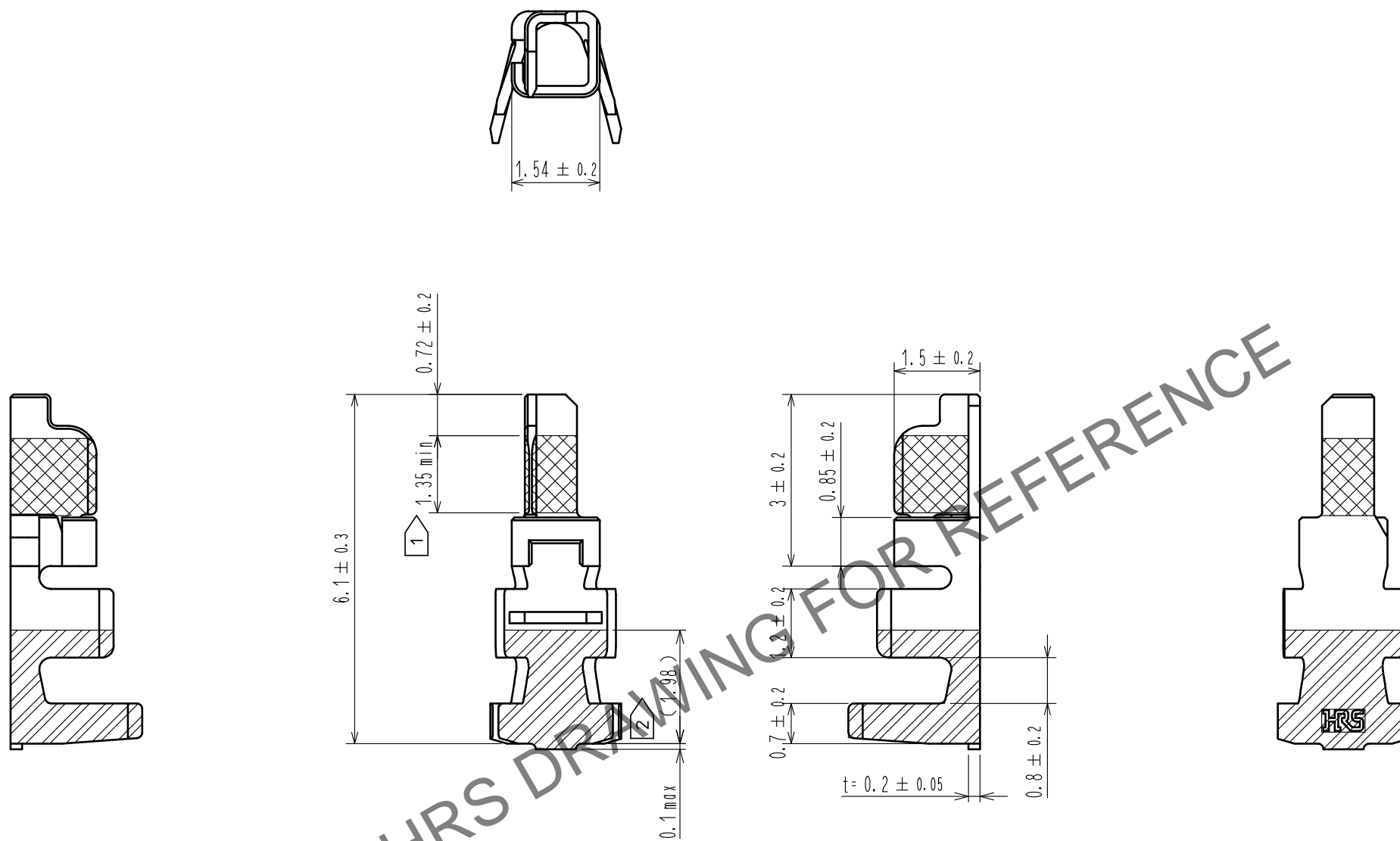


Jun.1.2024 Copyright 2024 HIROSE ELECTRIC CO., LTD. All Rights Reserved.  
 In case of consideration for using Automotive equipment / device which demand high reliability, kindly contact our sales window correspondents.



NOTE. 1 GOLD PLATING AREA POSITION.  
 2 TIN PLATING AREA POSITION.  
 3 1PACK : 100 CONTACTS.  
 4 UL(FILE NO. E52653),  
 C-UL(FILE NO. E52653) APPROVED PRODUCT.



1	PHOSPHOR BRONZE	1 CONTACT AREA : GOLD PLATING 0.2 μm MIN
2		BARREL AREA : TIN PLATING 1μm MIN
		OTHERS : NICKEL PLATING 0.5 μm MIN

NO.	MATERIAL	FINISH . REMARKS	NO.	MATERIAL	FINISH . REMARKS
UNITS mm		SCALE 5 : 1	COUNT	DESIGNED	CHECKED
<b>HRS</b> HIROSE ELECTRIC CO., LTD.		APPROVED : HS. OKAWA 16.05.18	DESCRIPTION OF REVISIONS	DATE	
		CHECKED : TS. FUKUSHIMA 16.05.18	DRAWING NO.	EDC-339703-00-00	
		DESIGNED : TS. KUMAZAWA 16.05.18	PART NO.	DF59-22PCA	
		DRAWN : TS. KUMAZAWA 16.05.18	CODE NO.	CL667-0022-0-00	
				1/1	