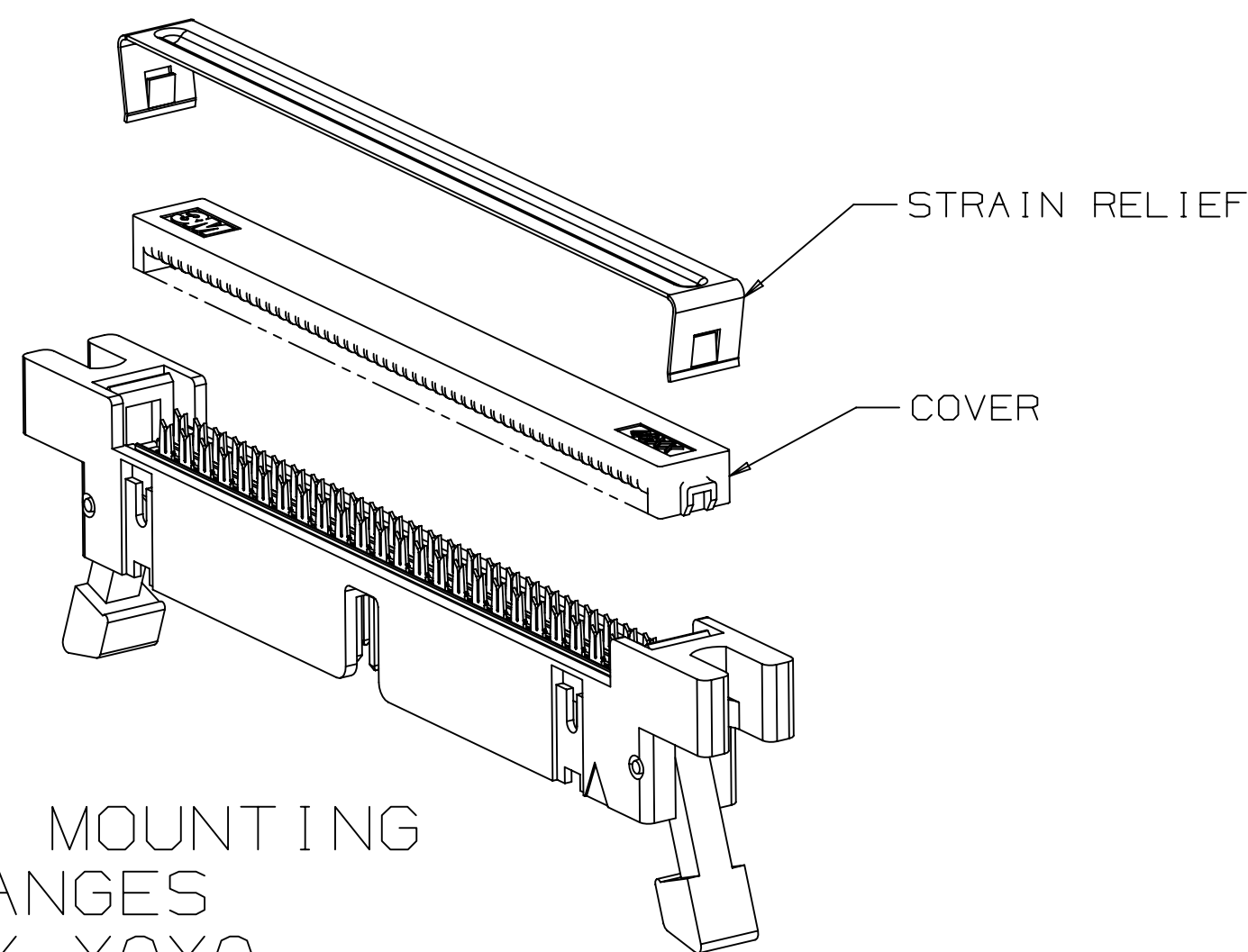
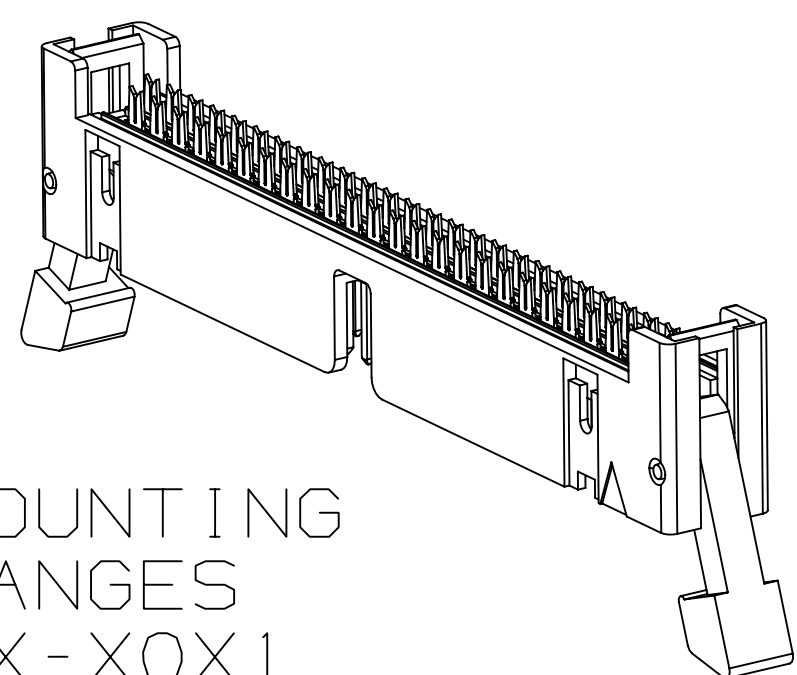


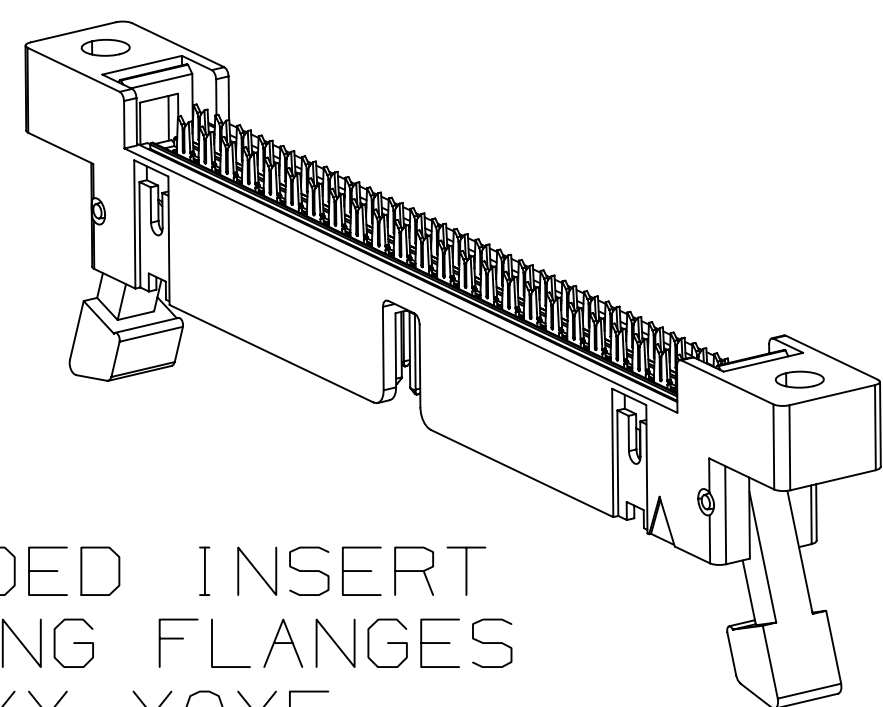
3M™ WIREMOUNT PLUG, 4600 SERIES
 .100 X .100, LATCH/EJECT CONNECTOR FOR .050" PITCH CABLE



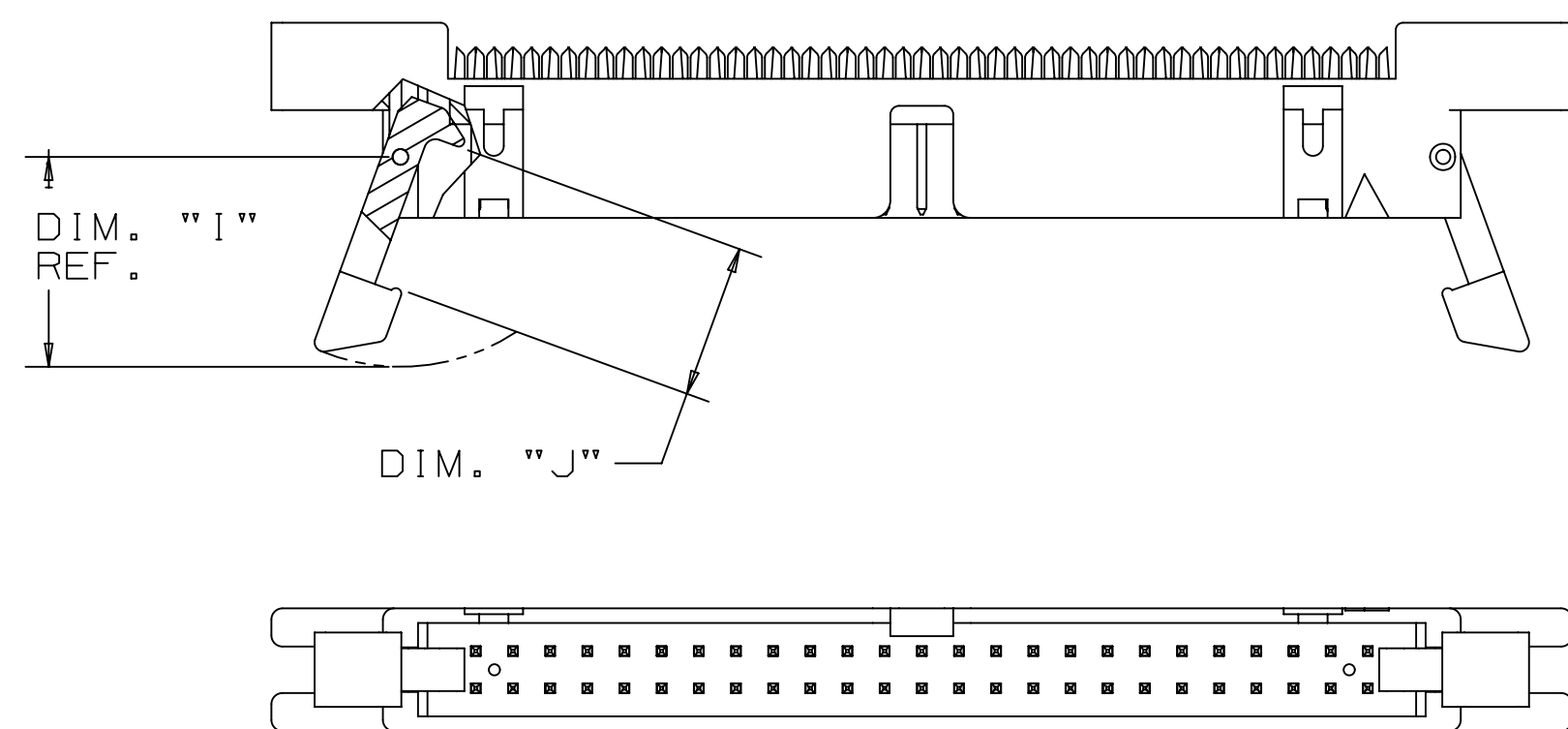
SLOTTED MOUNTING FLANGES
 46XX-XOX0



NO MOUNTING FLANGES
 46XX-XOX1



THREADED INSERT MOUNTING FLANGES
 46XX-XOX5



STRAIN RELIEF
 (ORDER SEPARATELY)
 3448-46XX

ORDERING INFORMATION

46XX-XXXX

CONTACT QTY:
 (SEE TABLE 1)

COVER STYLE:
 6=OPEN END
 (DAISY CHAINING/BUSSING
 STANDARD)
 7=CLOSED END
 (END CABLE TERMINATION)

EJECTOR/LATCH SYSTEM:
 0=NONE (STANDARD)
 2=SHORT EJECTOR LATCH (3505-16)
 3=LONG EJECTOR LATCH (3505-17)

BODY STYLE:
 0=W/MOUNTING FLANGE (STANDARD)
 1=W/OUT MOUNTING FLANGE
 5=MOUNTING FLANGE W/THREADED INSERT
 FROM SOCKET MATING SIDE

POLARIZATION:
 0=FOR CONTACT QTY 14 TO 64
 0=FOR NOTCH C ON 10 POSITION
 5=FOR NOTCH B ON 10 POSITION

PERFORMANCE:	
CURRENT RATING:	1.50 A, ALL CONTACTS POWERED 2.25 A, 6 CONTACTS POWERED 5.50 A, 1 CONTACT POWERED (RATING CONDITIONS: EIA-364-070, METHOD 2, 30° C MAXIMUM TEMPERATURE RISE)
UL & CUL VOLTAGE RATING:	125V _{ac}
INSULATION RESISTANCE:	> 1 × 10 ⁹ Ohms AT 500 VDC
WITHSTANDING VOLTAGE:	1000 VACrms AT SEA LEVEL
OPERATING TEMPERATURE:	-55° C TO +105° C

AGENCY LISTINGS:
 UNDERWRITERS LABORATORIES (UL): FILE No. E68080
 UL RATINGS: TEMPERATURE: 130° C VOLTAGE: 125V CURRENT: 1.0A
 CUL RATINGS: TEMPERATURE: 130° C VOLTAGE: 125V CURRENT: 1.0A

PHYSICAL:

INSULATOR: MATERIAL: GLASS FILLED POLYESTER (PBT)
 FLAMMABILITY: UL94V-0
 COLOR: GRAY
 CONTACT: MATERIAL: COPPER ALLOY
 PLATING:
 UNDER PLATING: 100μ" [2.54μm] NICKEL-OVERALL
 "U" SLOT: GOLD FLASH
 WIPING AREA: 30μ" [0.76μm] GOLD
 WIRE ACCOMMODATION: 26 AND 28 AWG SOLID AND STRANDED
 MARKINGS: 3M LOGO AND LOT NUMBER

- NOTES
- REGULATORY INFORMATION:
VISIT 3M.com/regs
 - IN THE EVENT OF CONFLICT BETWEEN THIS DATA AND THAT CONTAINED IN THE PRODUCT SPECIFICATION, THE PRODUCT SPECIFICATION TAKES PRECEDENT.
 - ASSEMBLY TOOLS:
3M™ PRESS 3640 (OR EQUIVALENT),
3M™ LOCATOR PLATE 3443-96,
3M™ PLATTEN 3442-9

3M ELECTRONICS MATERIALS SOLUTIONS DIVISION
 INTERCONNECT SOLUTIONS
<http://www.3M.com/interconnect>

3M IS A TRADEMARK OF 3M COMPANY.
 FOR TECHNICAL, SALES OR ORDERING
 INFORMATION CALL 800-225-5373

3M
 UL FILE NO: E68080

DIMENSIONS: INCH [MM]
 [MM] FOR REF. ONLY

DESIGN REFERENCE	NEXT ASSEMBLY
DO NOT SCALE DRAWING	SCALE
THIRD ANGLE PROJECTION	INTERPRET PER ASME Y14.5 - 2018
MAX. SURFACE ROUGHNESS	ALL SURFACES
MARKED ONLY	ANGLES

REV	ECO	ISSUE DATE AND DESCRIPTION	DRFT	CHKD
F	116025	MAY 01, 2024 REVISE LOCATION OF DIM D ON SHT 2	JNC	SB0
E	96508	APR 08, 2021 ADD U-SLOT GOLD FLASH NOTE	JNC	SAN
D	94220	FEB 11, 2021 REVISED AND REDRAWN	JNC	SAN

REV	ECO	ISSUE DATE AND DESCRIPTION	DRFT	CHKD
APPV	S. NEU	FEB 10, 2021		
DATE		FEB 10, 2021		

TOLERANCES EXCEPT AS NOTED	DIVISION CODE
INCHES .00 ±.01 .000 ±.005 .0000 ±.0002	EMSD
MILLIMETERS 0 ± .0 ± .00 ± .000 ±	

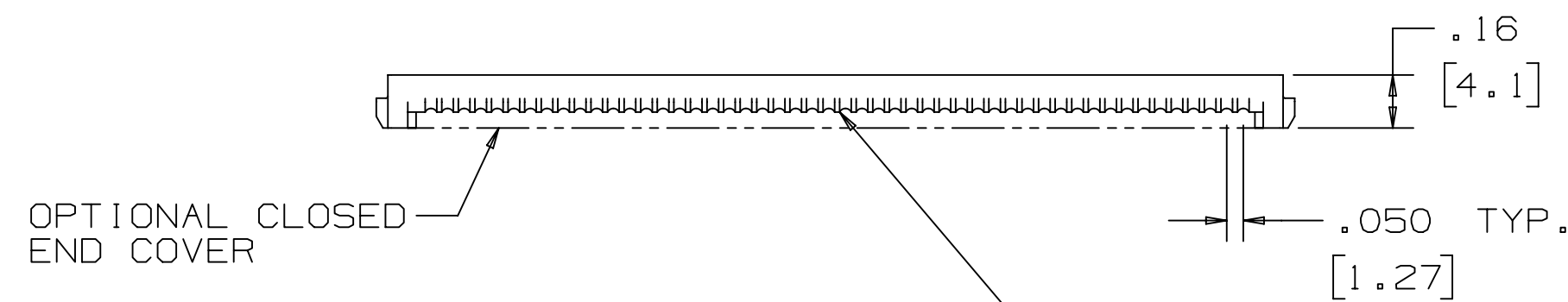
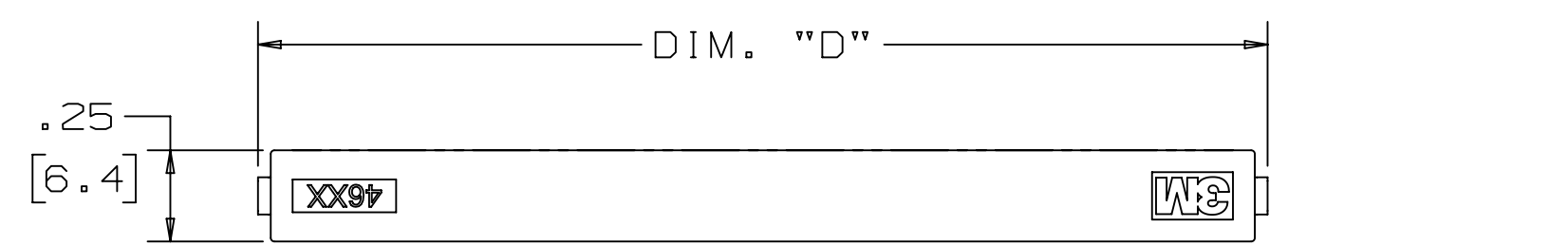
TITLE	CAGE NUMBER	SIZE	DRAWING NO.	REV.
WIREMOUNT PLUG CONN., LATCH/EJECT, .100 X .100	D	78-5100-0086-8	F	

78-5100-0086-B
DRAWING NUMBER

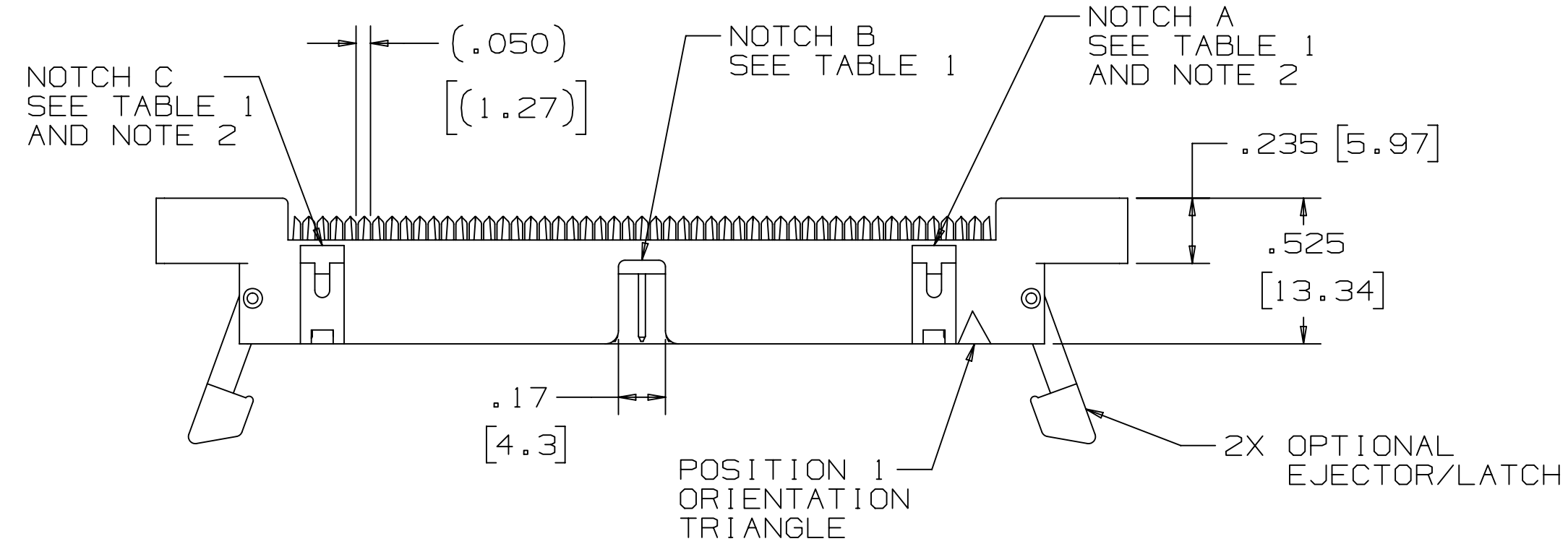
A

SHT 1 OF 4

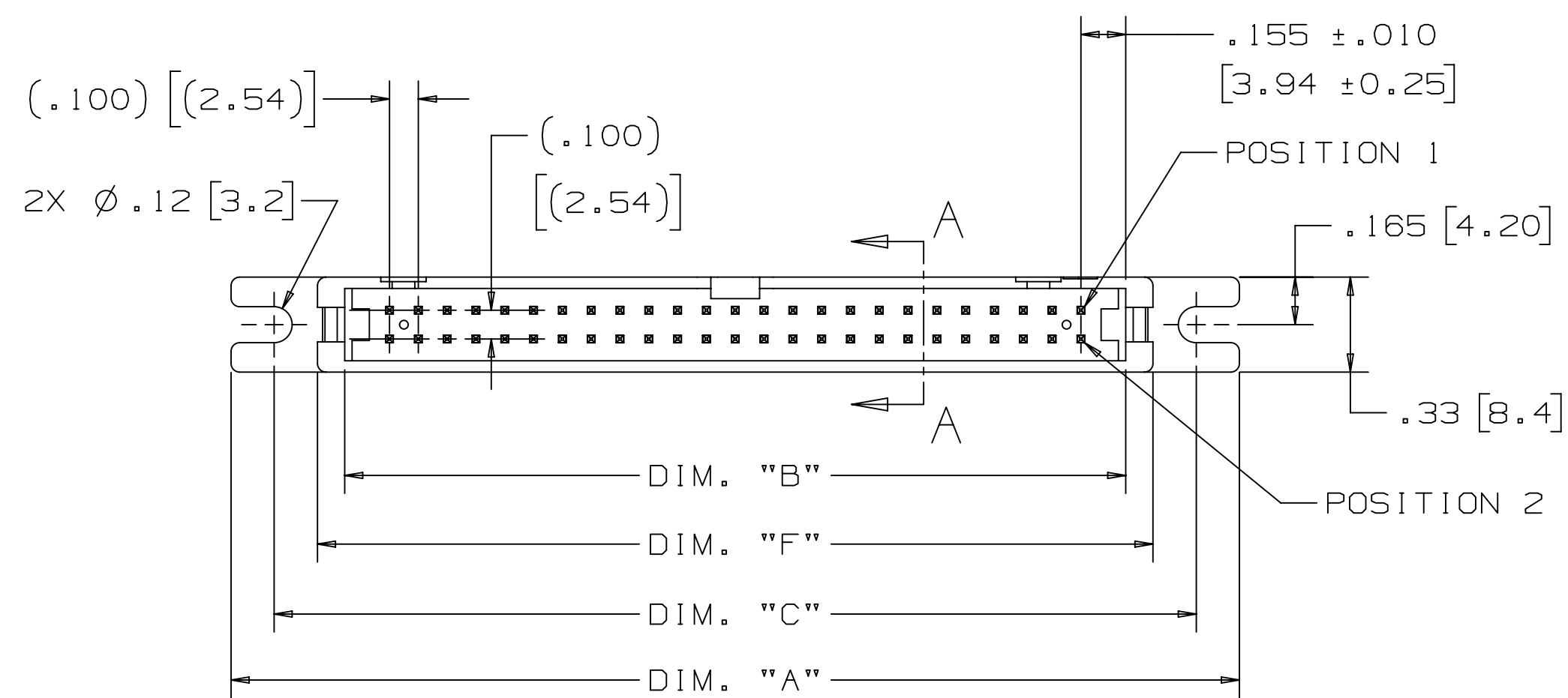
3M™ WIREMOUNT PLUG, 4600 SERIES
 .100 X .100, LATCH/EJECT CONNECTOR FOR .050" PITCH CABLE



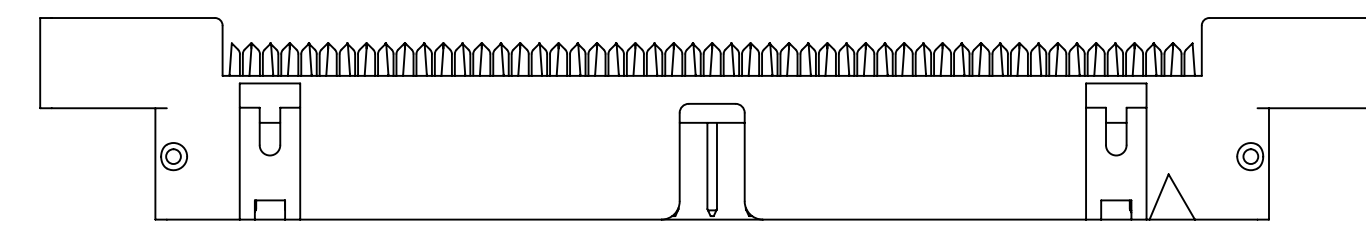
OPTIONAL CLOSED END COVER
 NONCONDUCTIVE TRANSFER ADHESIVE WITH LINER
 OPEN COVER



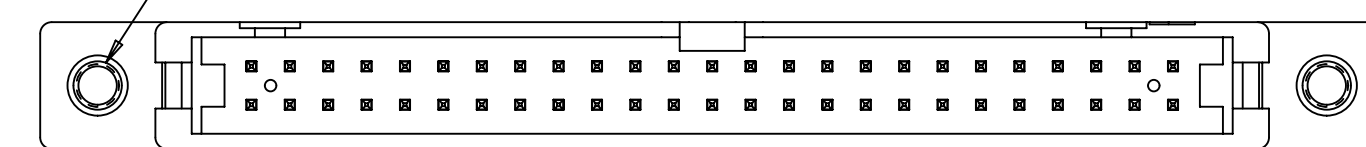
NOTCH C SEE TABLE 1 AND NOTE 2
 NOTCH B SEE TABLE 1
 NOTCH A SEE TABLE 1 AND NOTE 2
 POSITION 1 ORIENTATION TRIANGLE
 2X OPTIONAL EJECTOR/LATCH



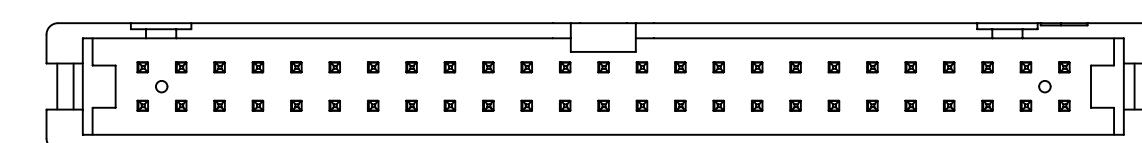
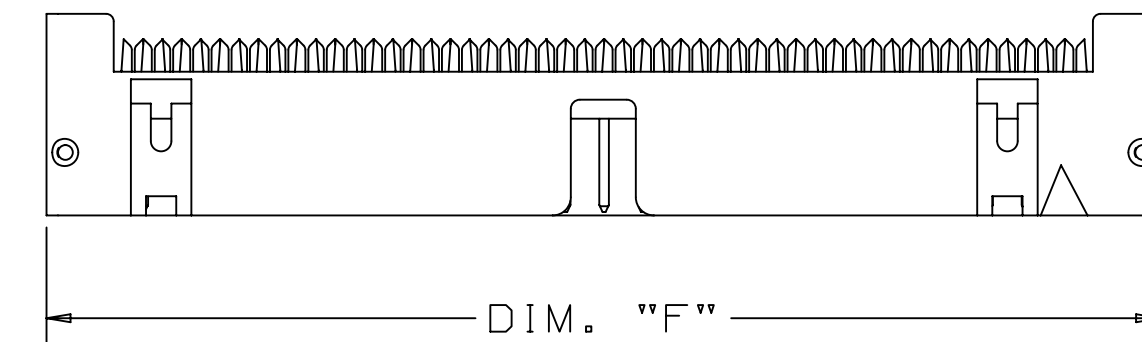
SLOTTED MOUNTING FLANGES



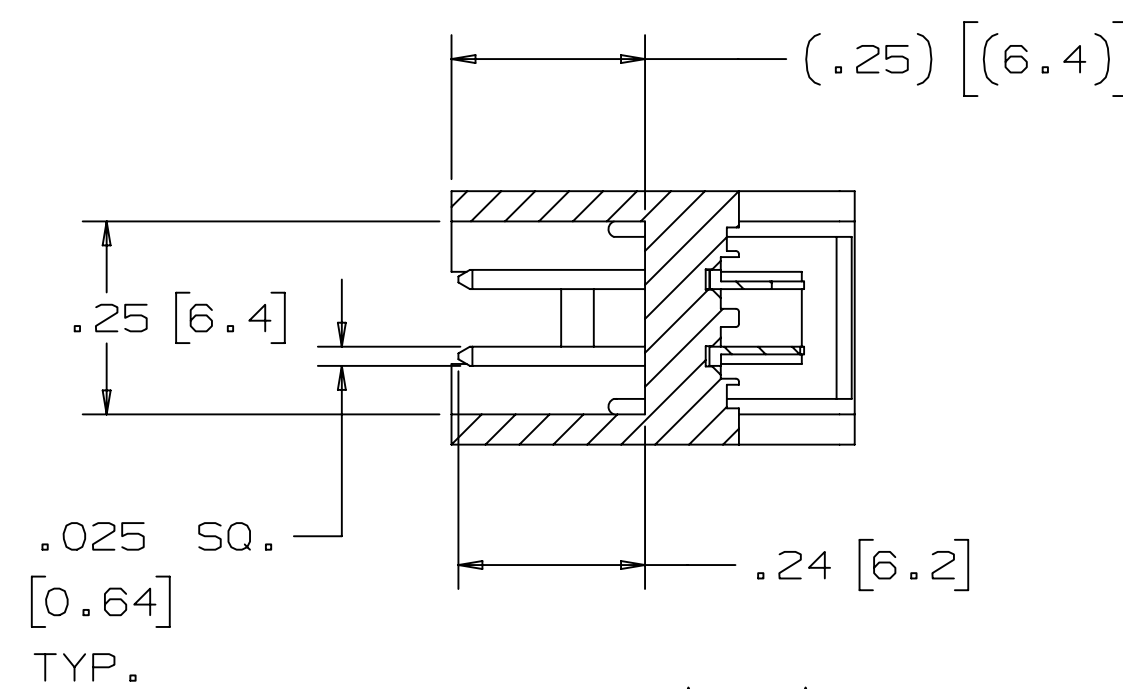
2X #4-40 UNC X (.14 [3.6]) LG
 THREADED INSERT
 TORQUE SPEC: 3-5 IN/LB



THREADED INSERT MOUNTING FLANGES



NO MOUNTING FLANGES



SECTION A - A
 SCALE 4x

- NOTES
- 1 POLARIZATION OF 10 POSITION PRODUCT CAN BE EITHER:
 - CENTER NOTCH B: 4610-XX5X
 - NOTCH C: 4610-XX0X.
 - 2 NOTCHES A AND C WILL ACCOMMODATE 3M POLARIZATION KEY PART NO. 3518.

3M ELECTRONICS MATERIALS SOLUTIONS DIVISION
 INTERCONNECT SOLUTIONS
<http://www.3M.com/interconnect>

3M IS A TRADEMARK OF 3M COMPANY.
 FOR TECHNICAL, SALES OR ORDERING
 INFORMATION CALL 800-225-5373

DESIGN REFERENCE	NEXT ASSEMBLY	REV	ECO	ISSUE DATE AND DESCRIPTION	DRFT	CHKD
		F	116025	MAY 01, 2024 REVISE LOCATION OF DIM D ON SHT 2	JNC	SB0
		E	96508	APR 08, 2021 ADD U-SLOT GOLD FLASH NOTE	JNC	SAN
		D	94220	FEB 11, 2021 REVISED AND REDRAWN	JNC	SAN
				FEB 10, 2021		

DO NOT SCALE DRAWING	SCALE	TOLERANCES EXCEPT AS NOTED	3M
THIRD ANGLE PROJECTION	INCHES .00 ± .01 .000 ± .005 .0000 ± .0002	MILLIMETERS 0 ± .00 ± .000 ±	© 3M COPYRIGHT 2024 This document and the information it contains are 3M property and may not be reproduced or further distributed without 3M permission, or used or disclosed other than for 3M authorized purposes. All rights reserved.
MAX. SURFACE ROUGHNESS ALL SURFACES MARKED ONLY	INTERPRET PER ASME Y14.5 - 2018	ANGLES	TITLE WIREMOUNT PLUG CONN., LATCH/EJECT, .100 X .100
			CAGE NUMBER D78-5100-0086-8 MODEL 4600

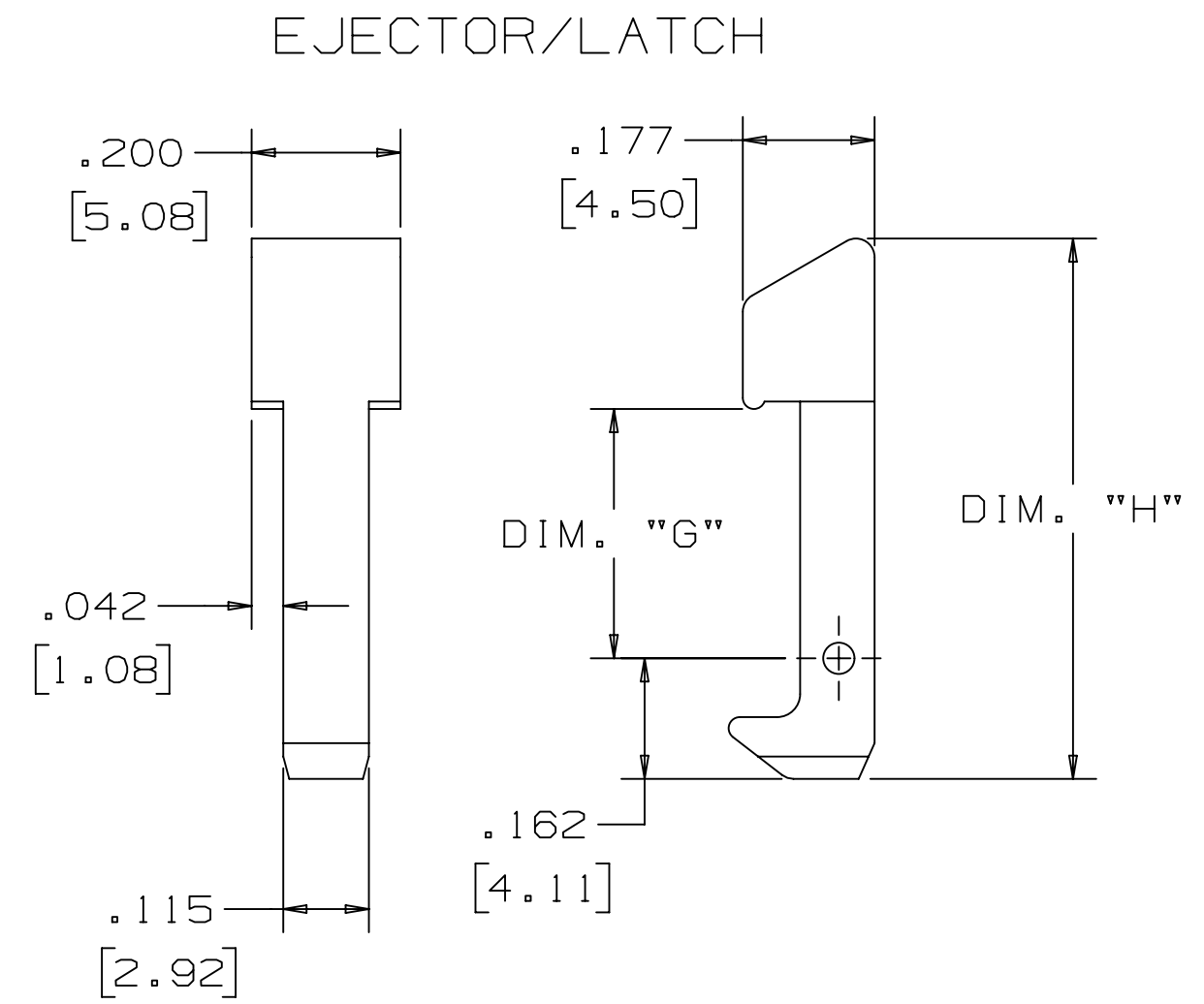
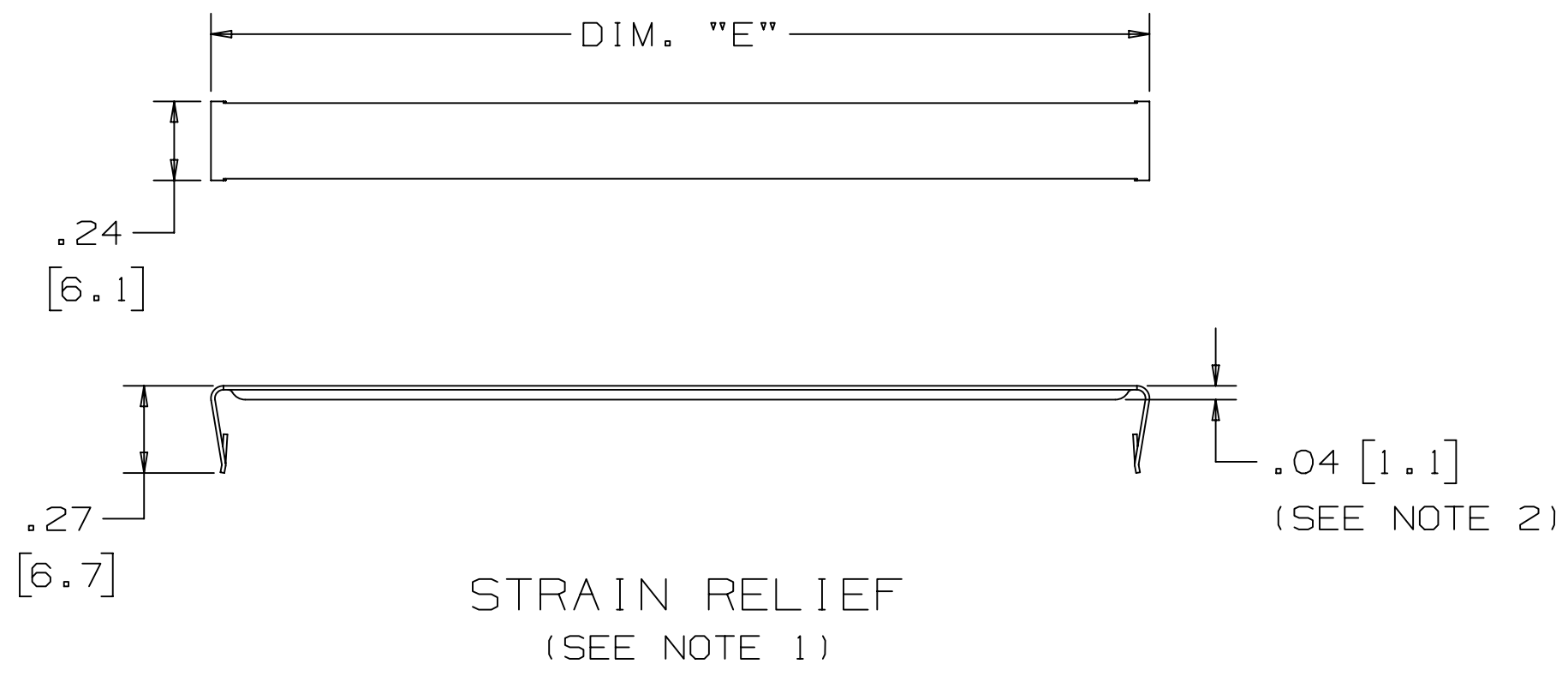
78-5100-0086-B
DRAWING NUMBER

A

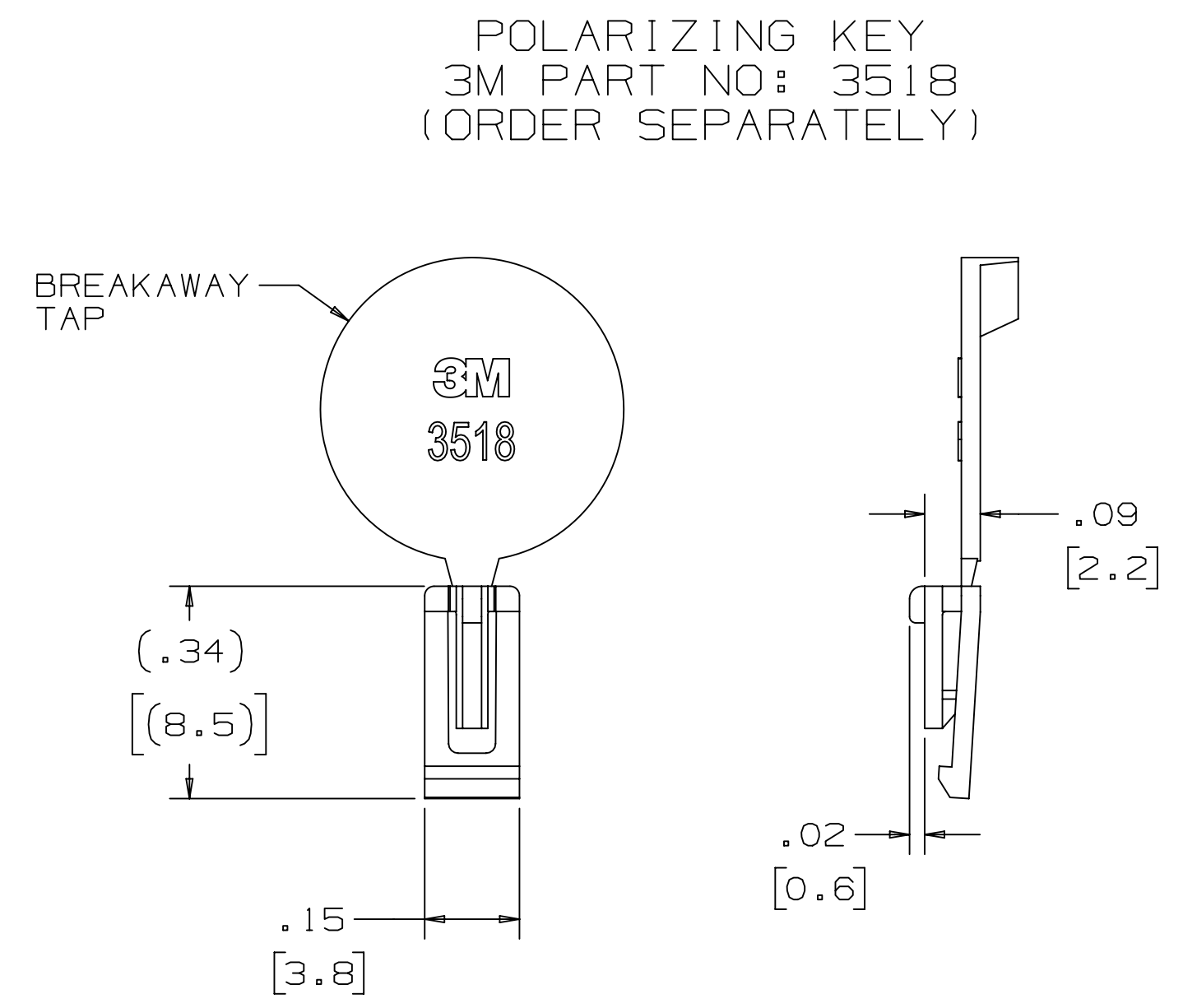
3M™ WIREMOUNT PLUG, 4600 SERIES
 .100 X .100, LATCH/EJECT CONNECTOR FOR .050" PITCH CABLE

- NOTES
- MATERIAL: .012 (0.30) THK STAINLESS STEEL.
 - THE DISTANCE FROM THE STRAIN RELIEF TO THE CONNECTOR IS EQUAL TO .04 (1.0) PLUS THE CABLE THICKNESS.
 - POLARIZATION OF 10 POSITION PRODUCT CAN BE EITHER:
 - CENTER NOTCH B: 4610-XX5X
 - NOTCH C: 4610-XX0X.

PIN QTY.	DIM. "A"	DIM. "B"	DIM. "C"	DIM. "D"	DIM. "E"	DIM. "F"	POLARIZING NOTCHES PROVIDED
10	1.50 [38.1]	.71 [18.0]	1.20 [30.5]	.77 [19.6]	.85 [21.6]	.90 [22.9]	B OR C (SEE NOTE 3)
14	1.70 [43.2]	.91 [23.1]	1.40 [35.6]	.97 [24.6]	1.05 [26.7]	1.10 [27.9]	B, C
16	1.80 [45.7]	1.01 [25.7]	1.50 [38.1]	1.07 [27.2]	1.15 [29.2]	1.20 [30.5]	A, B, C
20	2.00 [50.8]	1.21 [30.7]	1.70 [43.2]	1.27 [32.3]	1.35 [34.3]	1.40 [35.6]	A, B, C
24	2.20 [55.9]	1.41 [35.8]	1.90 [48.3]	1.47 [37.3]	1.55 [41.9]	1.60 [40.6]	A, B, C
26	2.30 [58.4]	1.51 [38.4]	2.00 [50.8]	1.57 [39.9]	1.65 [46.9]	1.70 [43.2]	A, B, C
30	2.50 [63.5]	1.71 [43.4]	2.20 [55.9]	1.77 [45.0]	1.85 [47.1]	1.90 [48.3]	A, B, C
34	2.70 [68.6]	1.91 [48.5]	2.40 [61.0]	1.97 [50.0]	2.05 [52.1]	2.10 [53.3]	A, B, C
36	2.80 [71.1]	2.01 [51.1]	2.50 [63.5]	2.07 [52.6]	2.15 [54.6]	2.20 [55.9]	A, B, C
40	3.00 [76.2]	2.21 [56.1]	2.70 [68.6]	2.27 [57.7]	2.35 [59.7]	2.40 [61.0]	A, B, C
50	3.50 [88.9]	2.71 [68.8]	3.20 [81.3]	2.77 [70.4]	2.85 [72.4]	2.90 [73.7]	A, B, C
60	4.00 [101.6]	3.21 [81.5]	3.70 [94.0]	3.27 [83.1]	3.35 [85.1]	3.40 [86.4]	A, B, C
64	4.20 [106.7]	3.41 [86.6]	3.90 [99.1]	3.47 [88.1]	3.55 [90.2]	3.60 [91.4]	A, B, C



EJECTOR/LATCH OPTION	PART NUMBER	DIM. "G"	DIM. "H"	DIM. "I"	DIM. "J"	MATERIAL	COLOR
SHORT	3505-16	.335 [8.51]	.726 [18.44]	.92 [23.4]	.41 [10.4]	PBT	GRAY
LONG	3505-17	.484 [12.29]	.875 [22.23]	1.07 [27.2]	.56 [14.2]		



3M PART NO.	MATERIAL	COLOR
N3518	LCP	BLACK

3M ELECTRONICS MATERIALS SOLUTIONS DIVISION
 INTERCONNECT SOLUTIONS
<http://www.3M.com/interconnect>
 3M IS A TRADEMARK OF 3M COMPANY.
 FOR TECHNICAL, SALES OR ORDERING
 INFORMATION CALL 800-225-5373

DESIGN REFERENCE	NEXT ASSEMBLY	REV	ECO	ISSUE DATE AND DESCRIPTION	DRFT	CHKD
		DRFT	CASTIGLIONE	FEB 10, 2021	MFG	DATE
		CHKD		DATE	APPV	DATE
					S. NEU	FEB 10, 2021
DIVISION	DIVISION CODE	© 3M COPYRIGHT 2024 This document and the information it contains are 3M property and may not be reproduced or further distributed without 3M permission, or used or disclosed other than for 3M authorized purposes. All rights reserved.				
DO NOT SCALE DRAWING	SCALE	TOLERANCES EXCEPT AS NOTED INCHES .00 ± .01 .000 ± .005 .0000 ± .0002 MILLIMETERS 0 ± .00 ± .000 ±				
THIRD ANGLE PROJECTION	INTERPRET PER ASME Y14.5 - 2018	TITLE WIREMOUNT PLUG CONN., LATCH/EJECT, .100 X .100				
MAX. SURFACE ROUGHNESS	ALL SURFACES	CAGE NUMBER	SIZE	DRAWING NO.	REV.	
MARKED ONLY	ANGLES	D	78-5100-0086-8	F		
		MODEL	4600	DET	IS1s	YES NO SHT 3 OF 4

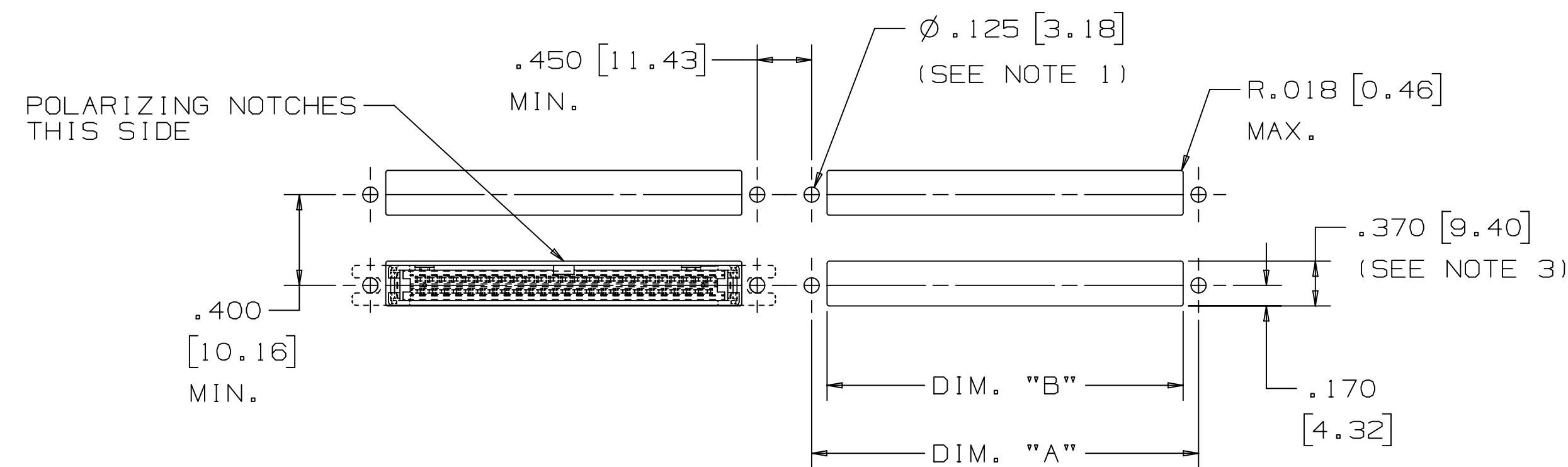
78-5100-0086-B
DRAWING NUMBER

A

3M™ WIREMOUNT PLUG, 4600 SERIES
 .100 X .100, LATCH/EJECT CONNECTOR FOR .050" PITCH CABLE

- NOTES
- 1 ACCEPTS #4 PAN HEAD MACHINE SCREW.
 - 2 FOR A REAR MOUNT PLUG CONNECTOR WITH EJECTOR/LATCHES, THE RECOMMENDED MAXIMUM PANEL THICKNESS IS .125 [3.18].
 - 3 WITHOUT POLARIZING KEYS .340 [8.64].

TABLE 3			
PIN QTY.	PART NUMBER	DIM. "A"	DIM. "B"
10	4610	1.200 [30.48]	.945 [24.00]
14	4614	1.400 [35.56]	1.145 [29.08]
16	4616	1.500 [38.10]	1.245 [31.62]
20	4620	1.700 [43.18]	1.445 [36.70]
24	4624	1.900 [48.26]	1.645 [41.78]
26	4626	2.000 [50.80]	1.745 [44.32]
30	4630	2.200 [55.88]	1.945 [49.40]
34	4634	2.400 [60.96]	2.145 [54.48]
36	4636	2.500 [63.50]	2.245 [57.02]
40	4640	2.700 [68.58]	2.445 [62.10]
50	4650	3.200 [81.28]	2.945 [74.80]
60	4660	3.700 [93.98]	3.445 [87.50]
64	4664	3.900 [99.06]	3.645 [92.58]



REAR MOUNT PANEL CUT-OUT

Regulatory: For regulatory information about this product, visit 3M.com/regs or contact your 3M representative.

Technical Information: The technical information, guidance, and other statements contained in this document or otherwise provided by 3M are based upon records, tests, or experience that 3M believes to be reliable, but the accuracy, completeness, and representative nature of such information is not guaranteed. Such information is intended for people with knowledge and technical skills sufficient to assess and apply their own informed judgment to the information. No license under any 3M or third party intellectual property rights is granted or implied with this information.

Product Use: Many factors beyond 3M's control and uniquely within user's knowledge and control can affect the use and performance of a 3M product in a particular application. As a result, customer is solely responsible for evaluating the product and determining whether it is appropriate and suitable for customer's application, including conducting a workplace hazard assessment and reviewing all applicable regulations and standards (e.g., OSHA, ANSI, etc.). Failure to properly evaluate, select, and use a 3M product in accordance with all applicable instructions and with appropriate safety equipment, or to meet all applicable safety regulations, may result in injury, sickness, death, and/or harm to property.

Warranty, Limited Remedy, and Disclaimer: Unless a different warranty is specifically stated on the applicable 3M product packaging or product literature (in which case such warranty governs), 3M warrants that each 3M product meets the applicable 3M product specification at the time 3M ships the product. 3M MAKES NO OTHER WARRANTIES OR CONDITIONS, EXPRESS OR IMPLIED, INCLUDING, BUT NOT LIMITED TO, ANY IMPLIED WARRANTY OR CONDITION OF MERCHANTABILITY, FITNESS FOR A PARTICULAR PURPOSE, OR ANY IMPLIED WARRANTY OR CONDITION ARISING OUT OF A COURSE OF DEALING, CUSTOM, OR USAGE OF TRADE. If a 3M product does not conform to this warranty, then the sole and exclusive remedy is, at 3M's option, replacement or repair of the 3M product or refund of the purchase price.

Limitation of Liability: Except for the limited remedy stated above, and except to the extent prohibited by applicable law, 3M will not be liable for any loss or damage arising from or related to the 3M product, whether direct, indirect, special, incidental, or consequential (including, but not limited to, lost profits or business opportunity), regardless of the legal or equitable theory asserted, including, but not limited to, warranty, contract, negligence, or strict liability.

Disclaimer: For industrial use only. Not intended, labeled or packaged for consumer sale or use.

3M Company
 Electronics Materials Solutions Division
 13011 McCallen Pass, Bldg. C
 Austin, TX 78753-5380
 1-800-225-5373
 www.3M.com/interconnect

3M ELECTRONICS MATERIALS SOLUTIONS DIVISION
 INTERCONNECT SOLUTIONS
<http://www.3M.com/interconnect>

3M IS A TRADEMARK OF 3M COMPANY.
 FOR TECHNICAL, SALES OR ORDERING
 INFORMATION CALL 800-225-5373

DESIGN REFERENCE	NEXT ASSEMBLY	REV	ECO	ISSUE DATE AND DESCRIPTION	DRFT	CHKD
		DRFT	CASTIGLIONE	FEB 10, 2021	MFG	DATE
		CHKD		DATE	APPV	DATE
					S. NEU	FEB 10, 2021
DIVISION	DIVISION CODE	© 3M COPYRIGHT 2024 This document and the information it contains are 3M property and may not be reproduced or further distributed without 3M permission, or used or disclosed other than for 3M authorized purposes. All rights reserved.				
DO NOT SCALE DRAWING	SCALE	TOLERANCES EXCEPT AS NOTED	3M Center St. Paul, MN 55144			
THIRD ANGLE PROJECTION		INCHES	TITLE WIREMOUNT PLUG CONN., LATCH/EJECT, .100 X .100			
INTERPRET PER ASME Y14.5 - 2018		MILLIMETERS	CAGE NUMBER D 78-5100-0086-8			
MAX. SURFACE ROUGHNESS		ALL SURFACES	MODEL 4600			
MARKED ONLY		ANGLES	DET. YES <input type="checkbox"/> NO <input checked="" type="checkbox"/> SHT 4 OF 4			

F REVISION
 78-5100-0086-B
 DRAWING NUMBER