

## DA10-050 Series

10 Watts

### Data Sheet

**Total Power: 10 Watts**  
**Input Voltage: 100 - 240 Vac**  
**# of Outputs: Single**

### SPECIAL FEATURES

- Small size 44 x 39.5 x 25 mm excluding AC pins
- High average loading efficiency 79%
- USB connector output
- -10 °C to +40 °C operating temperature range
- Protections: overvoltage, overtemperature, overcurrent, short circuit
- Reinforced isolation 3000 Vac rms
- European CoC v5 T2 & US DoE VI Compliant
- EN60950-1 Safety Standard
- One year warranty

### SAFETY

- cUL/UL 60950-1
- IEC/EN 60950-1
- IEC 62368-1
- CCC
- CE
- GS
- Designed to meet:
  - NOM-NYCE
  - SPRING
  - IRAM
  - C-Tick
  - NSW



### Electrical Specifications

Input	
Input voltage range	90 - 264 Vac (100 - 240 Vac nominal)
Frequency	47 - 63 Hz (50 / 60 Hz nominal)
Input current (max)	300 mA
Leakage current	100 µA
No load power	<75 mW
Output	
Maximum power	10 W
Output voltage	5 V
Hold-up time	10 ms typical 115 Vac at full load

### Environmental Specifications

Operating temperature	-10 °C to +40 °C
Storage temperature	-40 °C to +85 °C
Electromagnetic susceptibility	EM55022, FCC Part 15
Humidity	Non-condensing 5% to 95% RH
MTBF	>100,000 hours at full load and 25 °C ambient

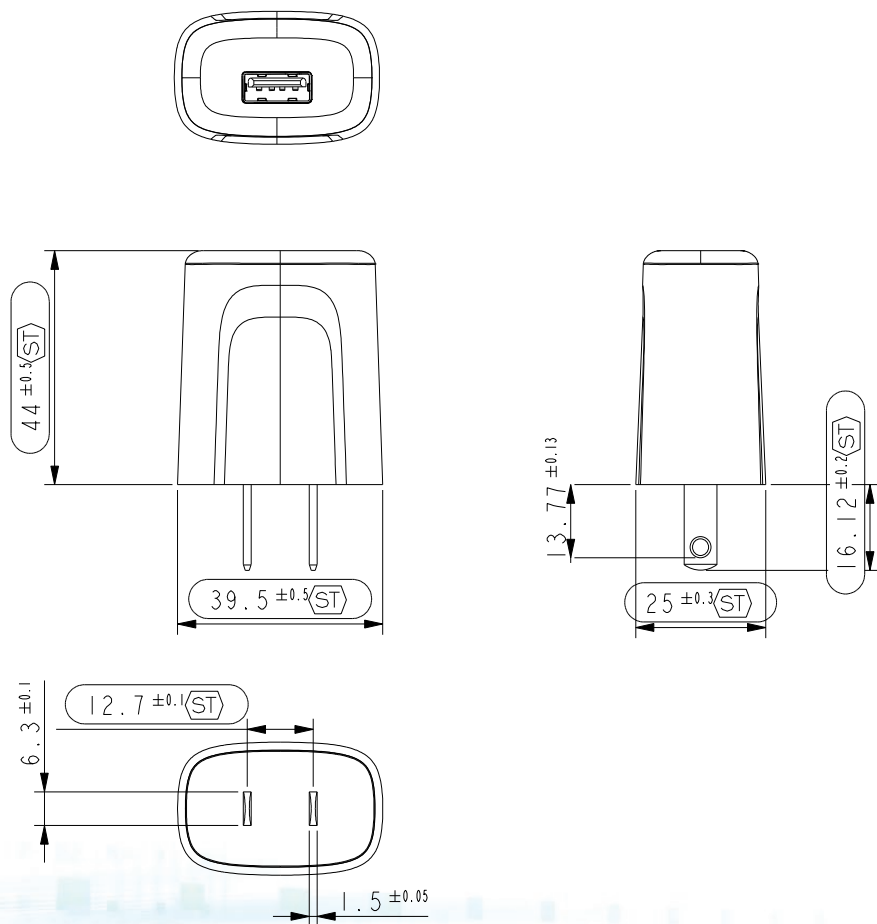
**Ordering Information**

Model Number	Input Voltage Range	Output Voltage	Minimum Load	Maximum Load
DA10-050US	90 - 264 Vac	5 V	0 A	2 A
DA10-050CH	90 - 264 Vac	5 V	0 A	2 A
DA10-050EU	90 - 264 Vac	5 V	0 A	2 A
DA10-050UK	90 - 264 Vac	5 V	0 A	2 A

**AC Plug Configuration for Fixed Plug**

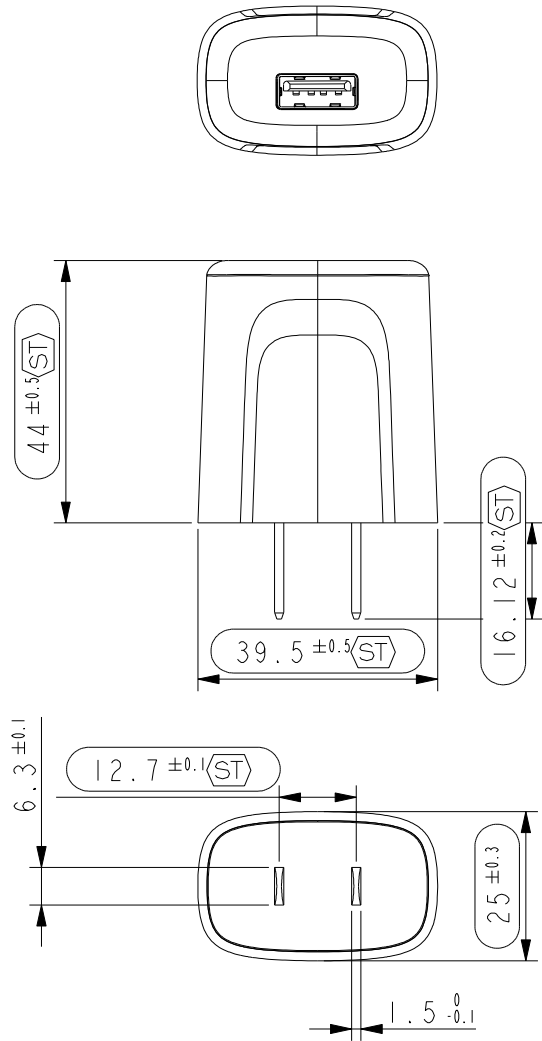
U.S. 2-prong	US
China 2-prong	CH
Europe 2-prong	EU
UK 3-prong	UK

**Mechanical Drawings - DA10-050 US**



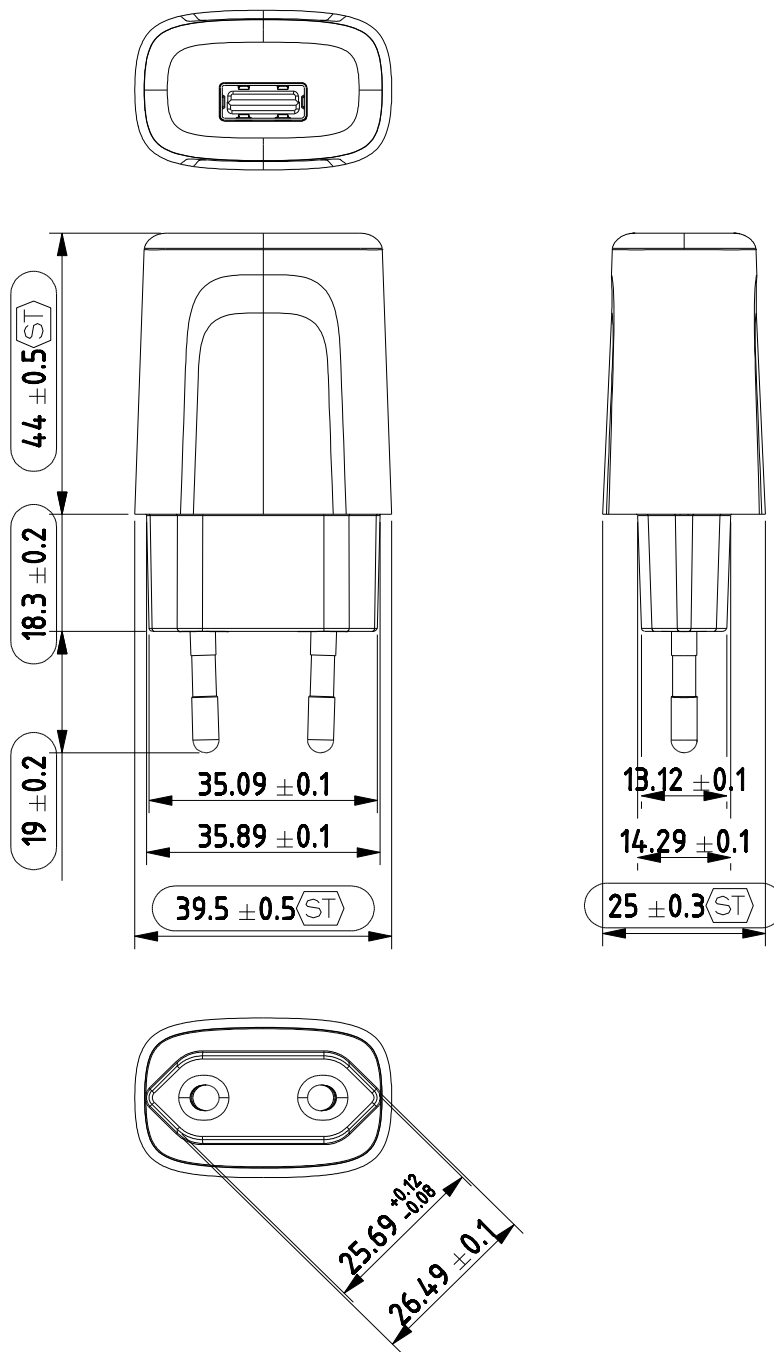
Note: All dimensions in mm.

Mechanical Drawings - DA10-050CH



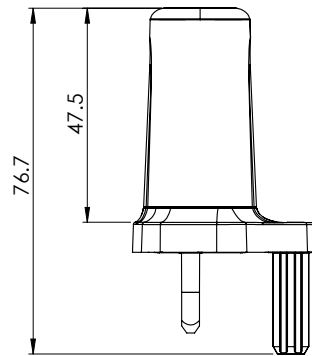
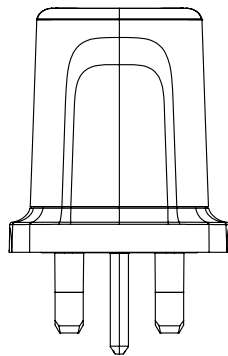
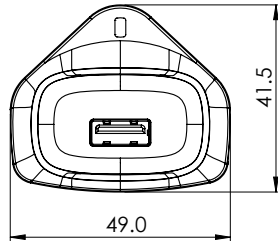
Note: All dimensions in mm.

Mechanical Drawings - DA10-050EU



Note: All dimensions in mm.

Mechanical Drawings - DA10-050UK



Note: All dimensions in mm.

**WORLDWIDE OFFICES**

**Americas**

2900 S.Diablo Way  
Tempe, AZ 85282  
USA  
+1 888 412 7832

**Europe (UK)**

Waterfront Business Park  
Merry Hill, Dudley  
West Midlands, DY5 1LX  
United Kingdom  
+44 (0) 1384 842 211

**Asia (HK)**

14/F, Lu Plaza  
2 Wing Yip Street  
Kwun Tong, Kowloon  
Hong Kong  
+852 2176 3333



[www.artesyn.com](http://www.artesyn.com)

Artesyn Embedded Technologies, Artesyn and the Artesyn Embedded Technologies logo are trademarks and service marks of Artesyn Embedded Technologies, Inc. All other names and logos referred to are trade names, trademarks, or registered trademarks of their respective owners. © 2016 Artesyn Embedded Technologies, Inc. All rights reserved. For full legal terms and conditions, please visit [www.artesyn.com/legal](http://www.artesyn.com/legal)

For more information: [www.artesyn.com/power](http://www.artesyn.com/power)  
For support: [productsupport.ep@artesyn.com](mailto:productsupport.ep@artesyn.com)