

1703838-6 ✓ ACTIVE



AMP | Heavy Duty Sealed Connector Series

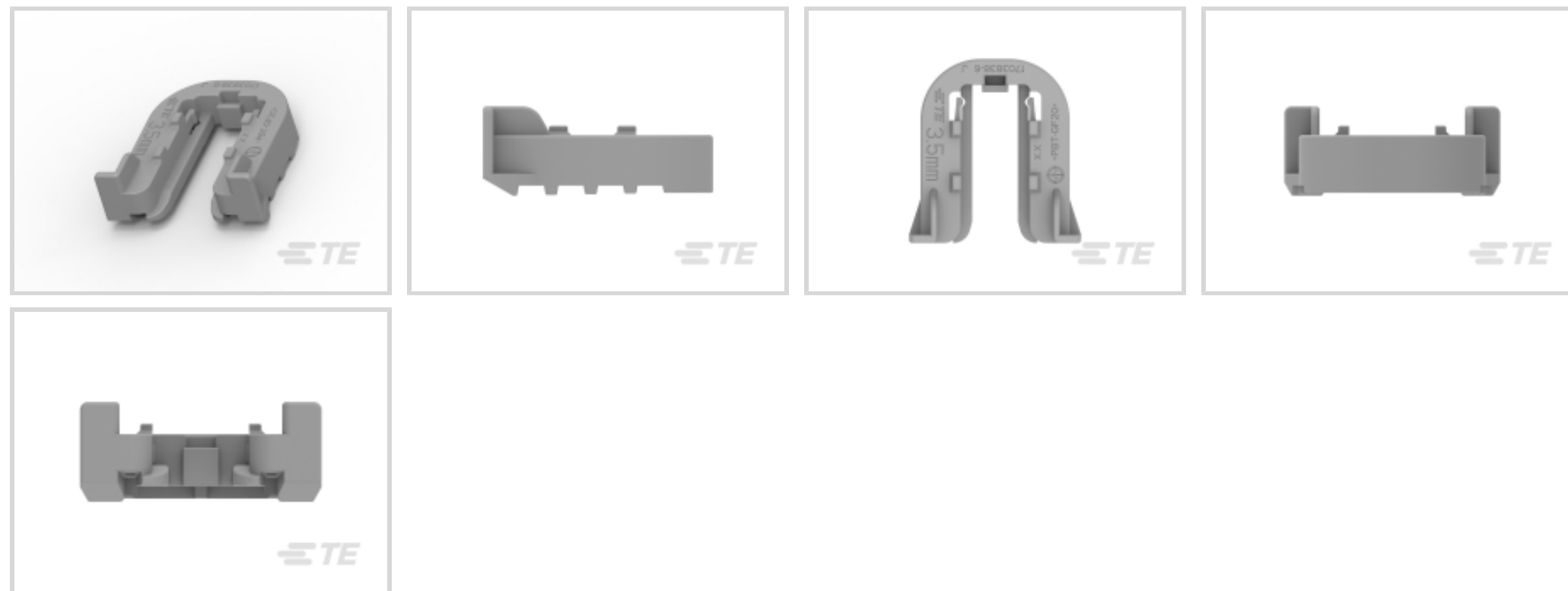
TE Internal #: 1703838-6

Mounting Clip, PBT GF, Gray, -40 – 140 °C [-40 – 284 °F], Heavy Duty Sealed Connector Series, Other Automotive Connector Accessories

[View on TE.com >](#)

Connectors > Automotive Connectors > Automotive Connector Accessories > Other Automotive Connector Accessories >

Heavy Duty Sealed Connector Series Fixing Slides



Automotive Connector Accessory Type: **Mounting Clip**

Primary Product Material: **PBT GF**

Primary Product Color: **Gray**

Operating Temperature Range: **-40 – 140 °C [-40 – 284 °F]**

[All Heavy Duty Sealed Connector Series Fixing Slides \(33\)](#)

## Features

### Product Type Features

Automotive Connector Accessory Type	Mounting Clip
-------------------------------------	---------------

### Configuration Features

Number of Positions	2, 3
---------------------	------

### Body Features

Primary Product Material	PBT GF
--------------------------	--------

Primary Product Color	Gray
-----------------------	------

### Usage Conditions

Compatible With Connector Style	Housing For Male Terminals
---------------------------------	----------------------------

Operating Temperature Range	-40 – 140 °C[-40 – 284 °F]
-----------------------------	----------------------------

### Industry Standards

UL Flammability Rating	UL 94V-0
------------------------	----------

### Packaging Features



Packaging Quantity	1000
Packaging Method	Box

### Product Compliance

[For compliance documentation, visit the product page on TE.com>](#)

EU RoHS Directive 2011/65/EU	Compliant
EU ELV Directive 2000/53/EC	Compliant
China RoHS 2 Directive MIIT Order No 32, 2016	No Restricted Materials Above Threshold
EU REACH Regulation (EC) No. 1907/2006	Current ECHA Candidate List: JUNE 2024 (241) Candidate List Declared Against: JUNE 2024 (241) Does not contain REACH SVHC
Halogen Content	Not Low Halogen - contains Br or Cl > 900 ppm.
Solder Process Capability	Not reviewed for solder process capability

#### Product Compliance Disclaimer

This information is provided based on reasonable inquiry of our suppliers and represents our current actual knowledge based on the information they provided. This information is subject to change. The part numbers that TE has identified as EU RoHS compliant have a maximum concentration of 0.1% by weight in homogenous materials for lead, hexavalent chromium, mercury, PBB, PBDE, DBP, BBP, DEHP, DIBP, and 0.01% for cadmium, or qualify for an exemption to these limits as defined in the Annexes of Directive 2011/65/EU (RoHS2). Finished electrical and electronic equipment products will be CE marked as required by Directive 2011/65/EU. Components may not be CE marked. Additionally, the part numbers that TE has identified as EU ELV compliant have a maximum concentration of 0.1% by weight in homogenous materials for lead, hexavalent chromium, and mercury, and 0.01% for cadmium, or qualify for an exemption to these limits as defined in the Annexes of Directive 2000/53/EC (ELV). Regarding the REACH Regulation, the information TE provides on SVHC in articles for this part number is based on the latest European Chemicals Agency (ECHA) 'Guidance on requirements for substances in articles' posted at this URL: <https://echa.europa.eu/guidance-documents/guidance-on-reach>

### Compatible Parts



Also in the Series | [Heavy Duty Sealed Connector Series](#)



Automotive Connector Caps & Covers (25)



Automotive Housings(207)



Connector Seals & Cavity Plugs(5)



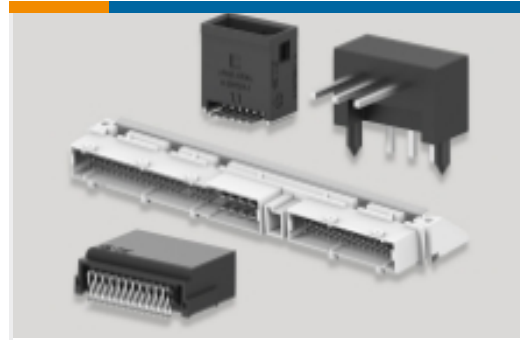
Data Connectivity Headers(2)



Data Connectivity Housings(16)



Other Automotive Connector Accessories(34)



PCB Headers & Receptacles(1)

## Customers Also Bought



TE Part #2103124-1  
HVA280 2P HEADER ASSY, KEY A



TE Part #1-1703820-1  
6POS,TAB 1.6X0.6,TAB HSG,ASSY,



TE Part #1703810-6  
Heavy Duty Sealed Connector Series  
Fixing Slides



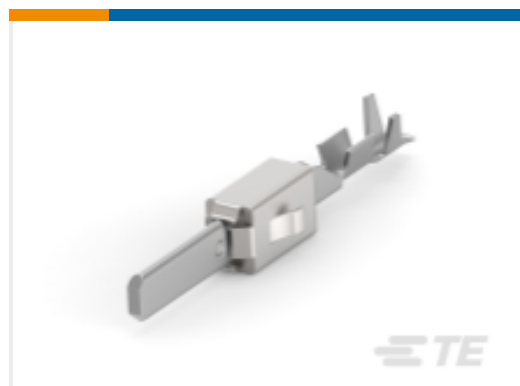
TE Part #964269-3  
TAB A 1.6x0.6 CONTACT CF SWS Au



TE Part #2112045-2  
SLIDE,FOR 26POS TAB HSG



TE Part #2151224-1  
OCEAN\_2.0\_Applicator-S-062F110F-RSM



TE Part #5-963860-1  
TAB 2.8x0.8 CONTACT CS SRC Sn



TE Part #825-066-101  
405mm AM/ FM/ DAB ANTENNA ROD



TE Part #10218545-00  
PSS-X1541A, VANE SENSOR

## Documents



### Product Drawings

#### SLIDE,TAB HSG GROUP A

English

---

### CAD Files

#### 3D PDF

3D

#### Customer View Model

[ENG\\_CVM\\_CVM\\_1703838-6\\_J.2d\\_dxf.zip](#)

English

#### Customer View Model

[ENG\\_CVM\\_CVM\\_1703838-6\\_J.3d\\_igs.zip](#)

English

#### Customer View Model

[ENG\\_CVM\\_CVM\\_1703838-6\\_J.3d\\_stp.zip](#)

English

By downloading the CAD file I accept and agree to the [Terms and Conditions](#) of use.

---

### Datasheets & Catalog Pages

#### HDSCS Catalog

English

#### CONNECTOR SELECTOR

English

---

### Product Specifications

#### Application Specification

English