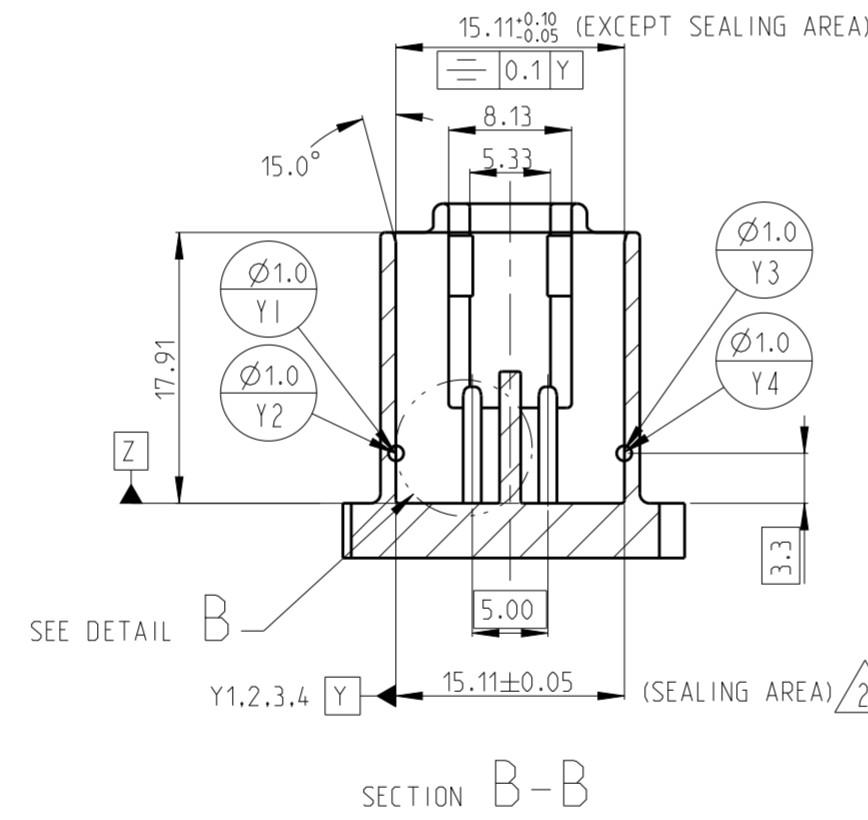
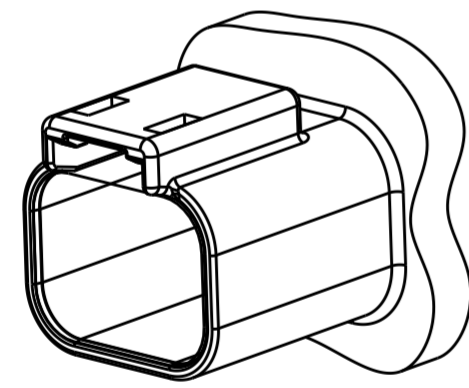
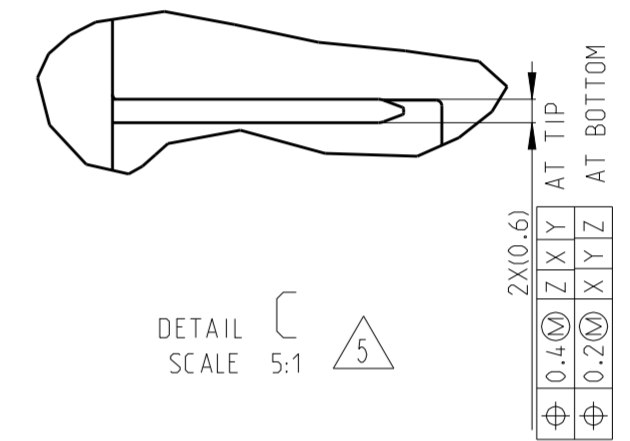
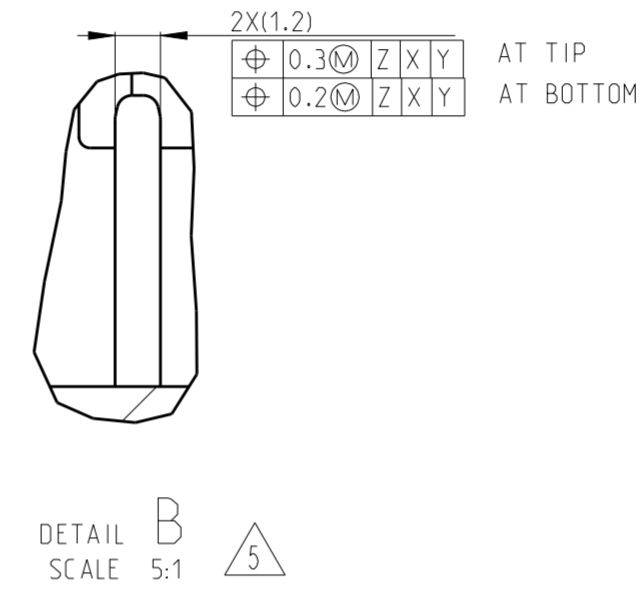
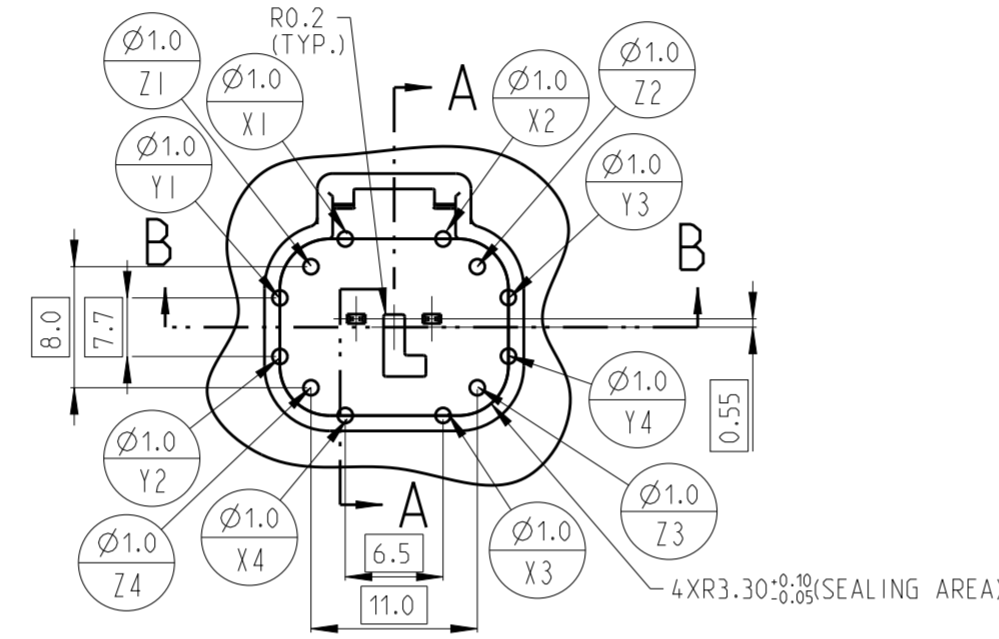
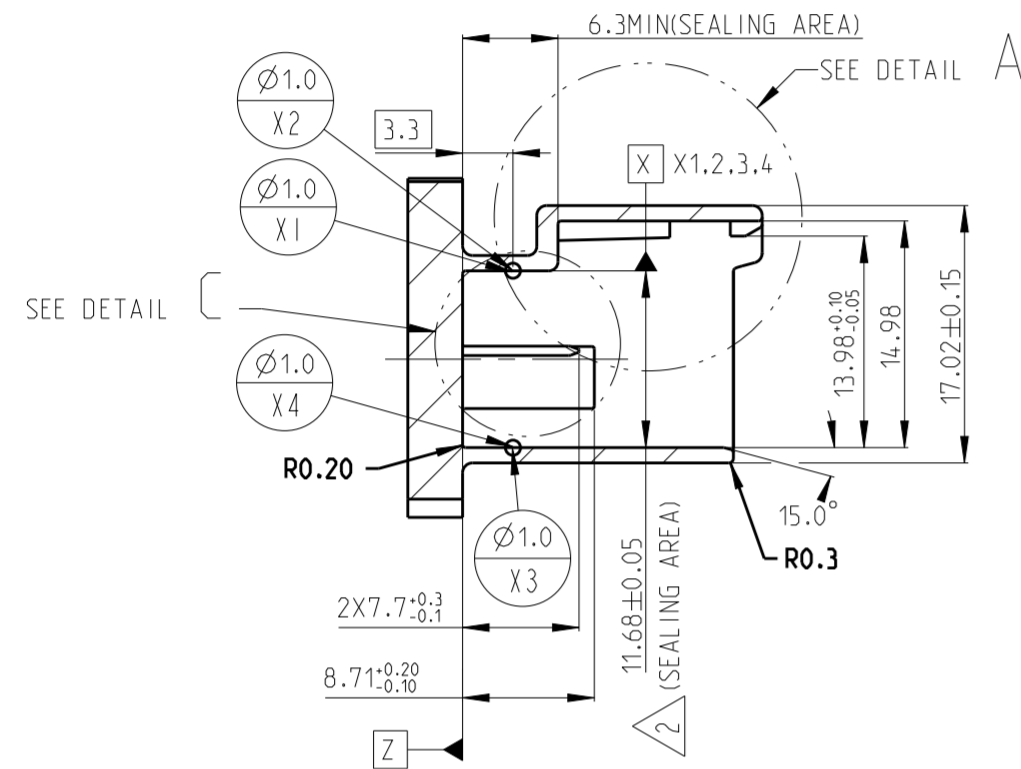
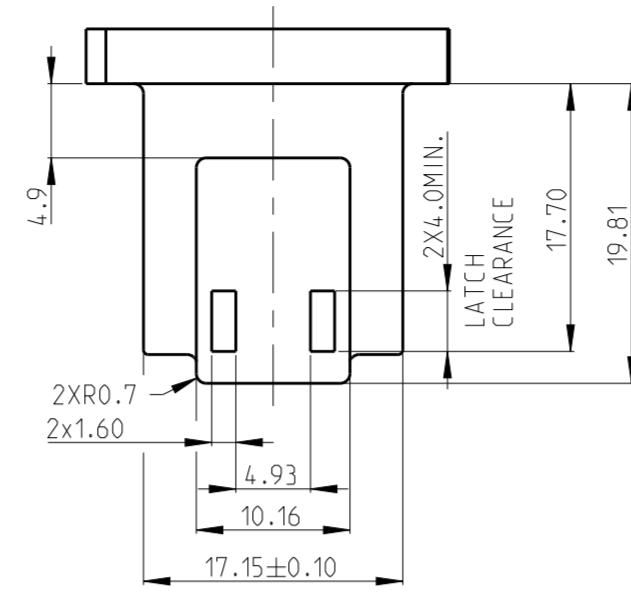
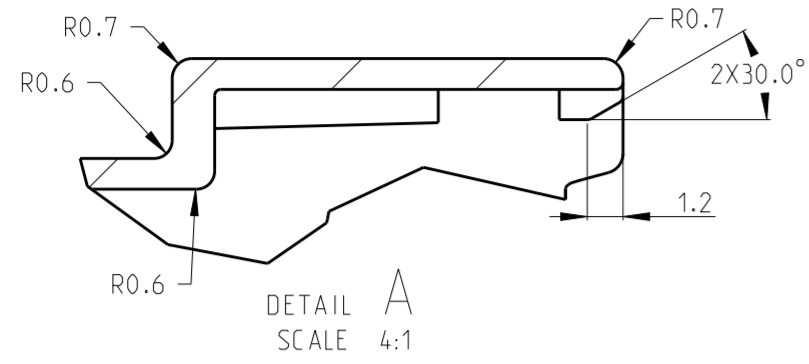
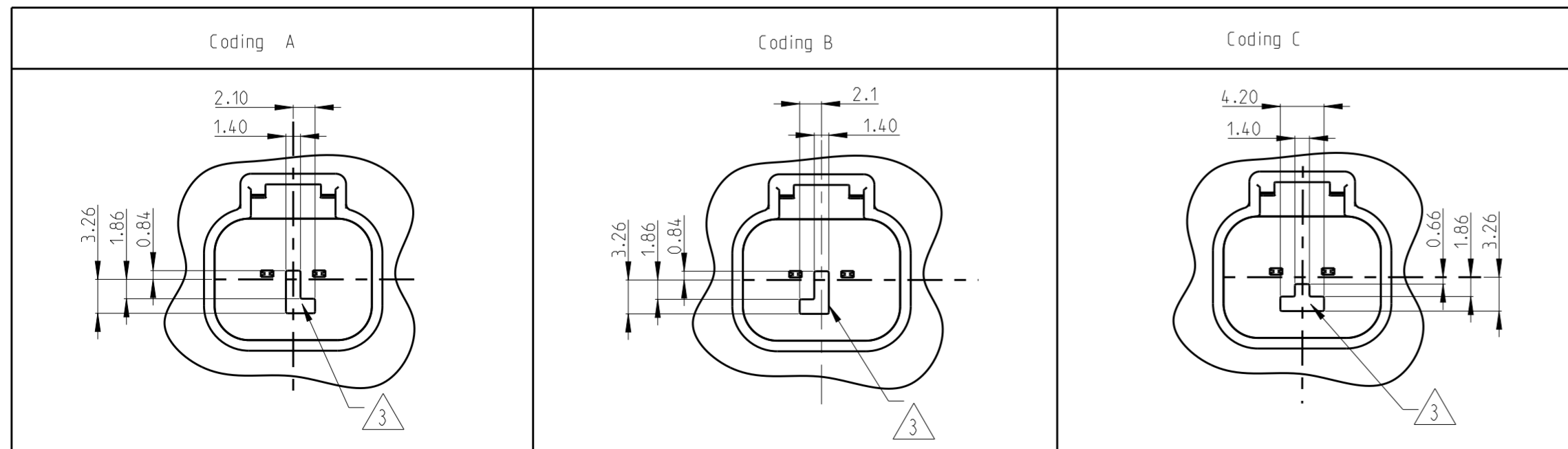


P	LTR	DESCRIPTION	DATE	DWN	APVD
	A	INITIAL RELEASE	08MAR2019	V.T	I.Y



- NO MARKING POSITION TOLERANCE 0.10MM, NOT SPECIFIED RADII R0.1MM
NO MARKING DIMENSION SEE THE 3D MODEL, TOLERANCE +/-0.05MM, ALL SYMMETRICAL DIMENSIONS
- SEALING SURFACE, NO PART LINES, DAMAGE, NO FLASH/BURRS
SEALING SURFACE MOLD PART SURFACE $R/\alpha \leq 0.8\mu m$, HOUSING SURFACE $R/\alpha \leq 1.6\mu m$
- DIFFERENT CODING MARK FOR NO WRONG ASSEMBLY WITH PLUG
- THIS RECEPTACLE MATES WITH TE P/N 2324808-X PLUG (X=1, 2, 3 FOR RELEVANT CODE).
- TAB FOLLOW MCON1.2, CB TERMINAL SPEC. TE AK 114-94201



THIS DRAWING IS A CONTROLLED DOCUMENT.		DWN V. TANG 08MAR2019	TE Connectivity	
DIMENSIONS: mm		CHK E. JIANG 08MAR2019		
TOLERANCES UNLESS OTHERWISE SPECIFIED:		APVD L. YIN	NAME 2POS INTERFACE, HVIL Connector MCON1.2, CB TERMINAL	
0 PLC ±		PRODUCT SPEC	SIZE	
1 PLC ±0.10		APPLICATION SPEC	CAGE CODE	
2 PLC ±0.05		WEIGHT	DRAWING NO	
3 PLC ±		MATERIAL	RESTRICTED TO	
4 PLC ±		CUSTOMER DRAWING	SCALE 2:1 SHEET 1 OF 1 REV A	
ANGLES ±1°		A2100779 C-114-32222		
FINISH				