



M1 Push-to-Close Latch

Small · Stainless steel

- Single, round-hole installation
- Locking style restricts access
- Premium finish and corrosion resistance
- Privacy lock on locking version

Material and Finish

Latch: 316 grade stainless steel and bright polished
 Spacer: Nylon, black
 Contact Southco for other finishes

Performance Details

Max. static load: 545 N (122 lbf)

Accessories

One key supplied per latch for additional keys order
 M7-88-9121324-S



Spacer: M1-510-96-1
 (Sold separately)



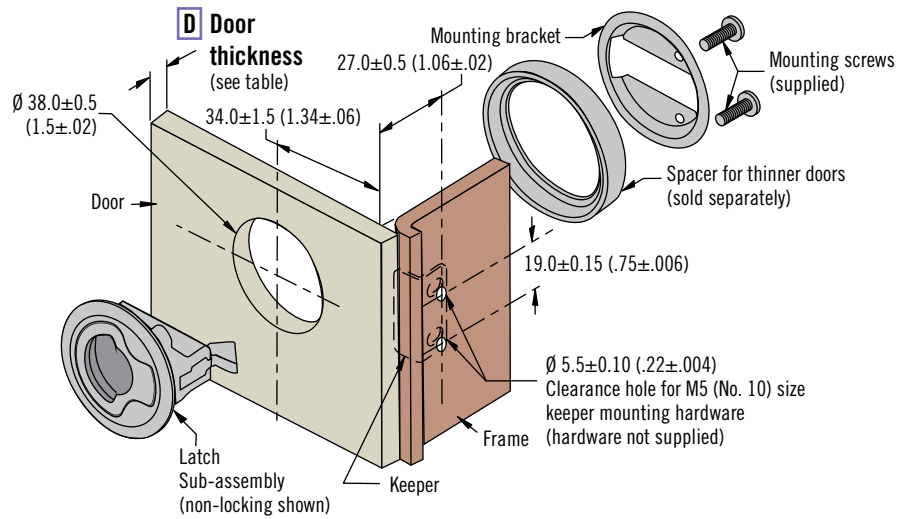
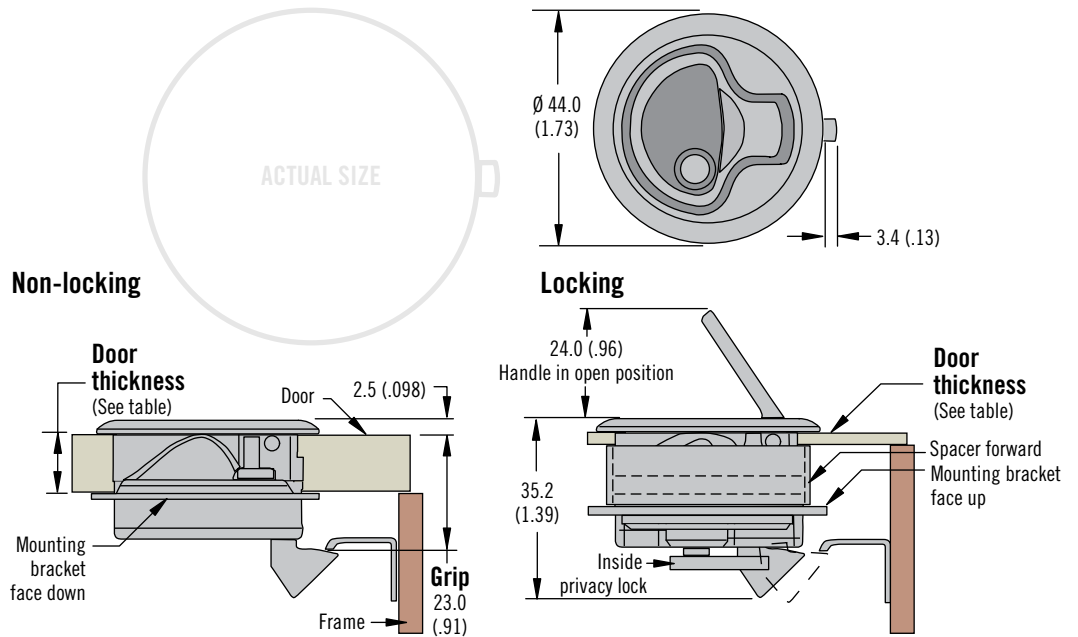
Keeper: M1-510-19-8

Mounting screws: M1-510-96-4

Installation Notes

Use the reference table to determine if a spacer is required for the door thickness and the correct mounting bracket orientation. The spacer shown is in the forward position.

Part Number Selection



D Door Thickness	Spacer Orientation	Mounting Bracket Orientation
1.0 - 5.0 (.04 - .20)	Forward	Face Up
5.0 - 9.0 (.20 - .36)	Reverse	Face Up
9.0 - 14.5 (.36 - .57)	(not required)	Face Up
14.5 - 21.0 (.57 - .83)	(not required)	Face Down

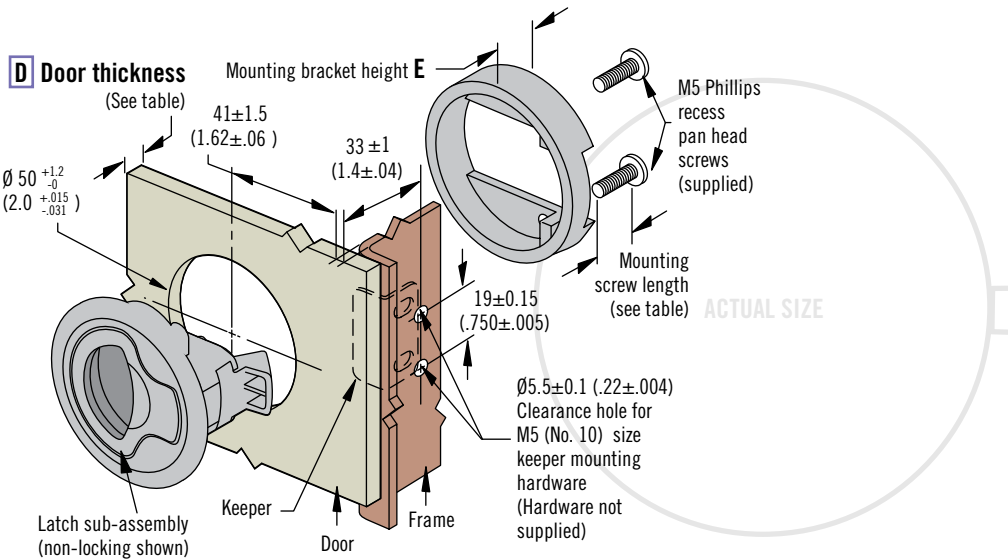
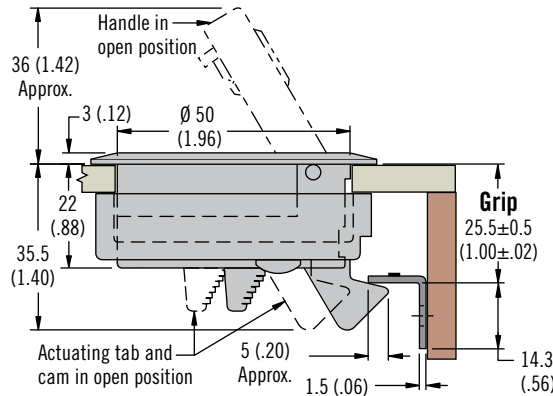
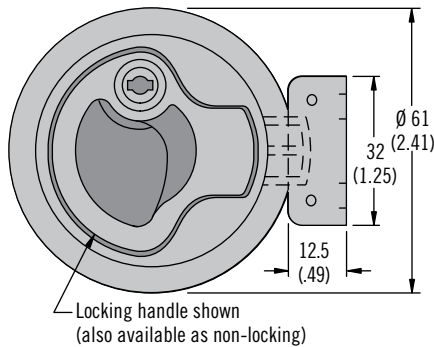


www.southco.com/M1

Dimensions in millimeters (inch) unless otherwise stated

M1 Push-to-Close Latch

Medium · Stainless steel · Plastic



D Door Thickness		Mounting Bracket Height E	Mounting Screw Length	Replacement Screw Part Number
Min.	Max.			
2 (.075)	7 (.275)	14 (.55)	16 (.63)	M1-0-27358-01
7 (.275)	12 (.475)	14 (.55)	20 (.81)	M1-0-27358-02
12 (.475)	17 (.675)	3.8 (.15)	16 (.63)	M1-0-27358-01
17 (.675)	22 (.875)	3.8 (.15)	20 (.81)	M1-0-27358-02

D Door thickness

- 2 - 7 (.075 - .275)
- 7 - 12 (.275 - .475)
- 12 - 17 (.475 - .675)
- 17 - 22 (.675 - .875)

L Lock style

- 4 Locking (2 keys supplied)
- 6 Non-locking
- 7 Key-locking keyed alike S008 (2 overmolded keys supplied) (Only available for stainless steel version)

F Finish

- 1 White Thermoplastic
- 7 Beige Thermoplastic
- 8 Stainless steel (omit for black)

M1 - L D - F

- Single, round-hole installation
- Corrosion-resistant materials
- Inside actuation when locked or unlocked

Material and Finish

Stainless steel: 316 grade electro polished or PC/PBT blend, black, white or beige

Performance Details

Max. working load:
Stainless Steel: 835 N (187 lbf)
PC/ABT blend 270 N (60 lbf)

Operating temperature range:
-18 °C (0 °F) to 60 °C (140 °F)

Flammability rating:
UL94-HB (plastic version)

Installation Notes

Max. tightening torque on mounting screws: 1.7 N·m (15 in·lbf)

Accessories

Keeper
Part number: M1-519-4

For lock style 4

Key (pair)
Part number: M1-546

For lock style 7

Overmolded key S008 (pair)
Part number:
M1-525-39-S008

Part Number Selection

See page 70 for complimentary styled compression version



M1 Push-to-Close Latch

Large · Stainless steel

- **Single, round-hole installation**
- **Corrosion-resistant materials**
- **Inside actuation when locked or unlocked**

Material and Finish

Stainless steel 316 grade electro polished

Performance Details

Max. working load: 835 N (187 lbf)

Operating temperature range:
-18°C (0°F) to 60°C (140°F)

Installation Notes

Max. tightening torque on mounting screws: 1.7 N·m (15 in·lbf)

Accessories

Keeper

Part number: M1-525-19-4

For lock style 4

Key (pair)

Part number: M1-546

For lock style 7

Overmolded key S008 (pair)

Part number: M1-525-39-S008

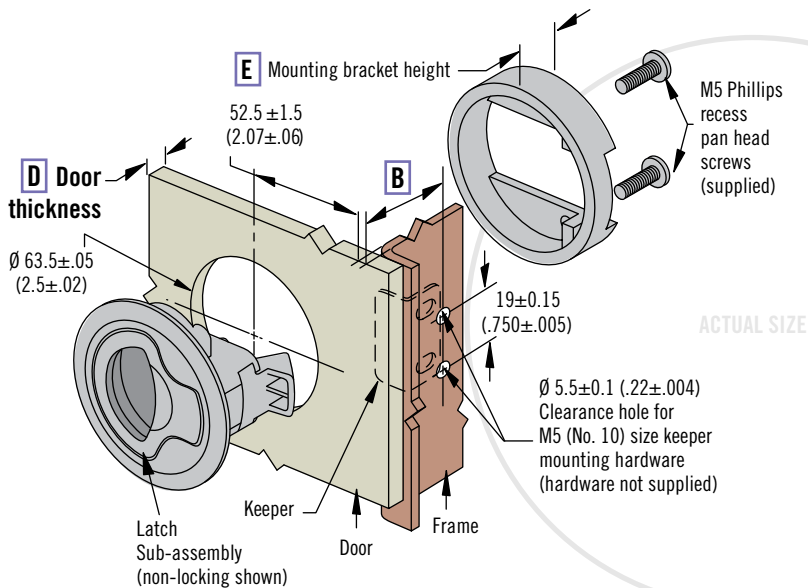
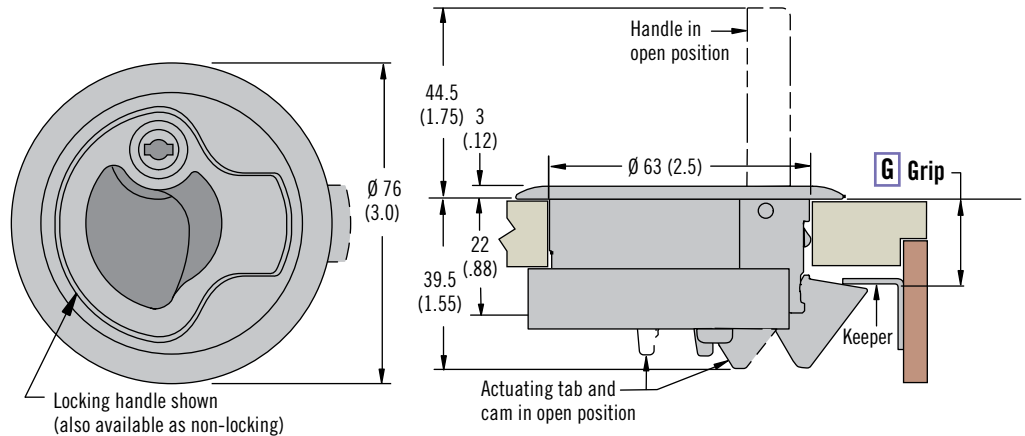


Replacement mounting screw

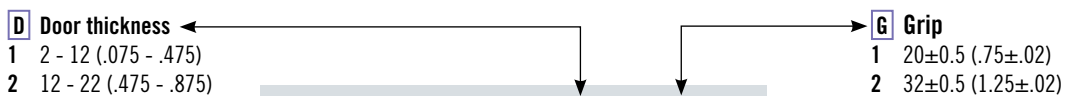
Part number: M1-0-27358-02

Part Number Selection

See page 71 for complimentary styled compression version



G Grip	E Mounting Bracket Height	D Door Thickness		B
		Min.	Max.	
20±0.5 (.75±.02)	22 (.875)	2 (.075)	12 (.475)	27 (1.10)
32±0.5 (1.25±.02)	22 (.875)	2 (.075)	12 (.475)	39 (1.54)
20±0.5 (.75±.02)	12 (.475)	12 (.475)	22 (.875)	27 (1.10)
32±0.5 (1.25±.02)	12 (.475)	12 (.475)	22 (.875)	39 (1.54)



- L Lock style**
- 4 Locking keyed alike (2 keys supplied)
 - 6 Non-locking
 - 7 Key-locking keyed alike S008 (2 overmolded keys supplied)

Dimensions in millimeters (inch) unless otherwise stated



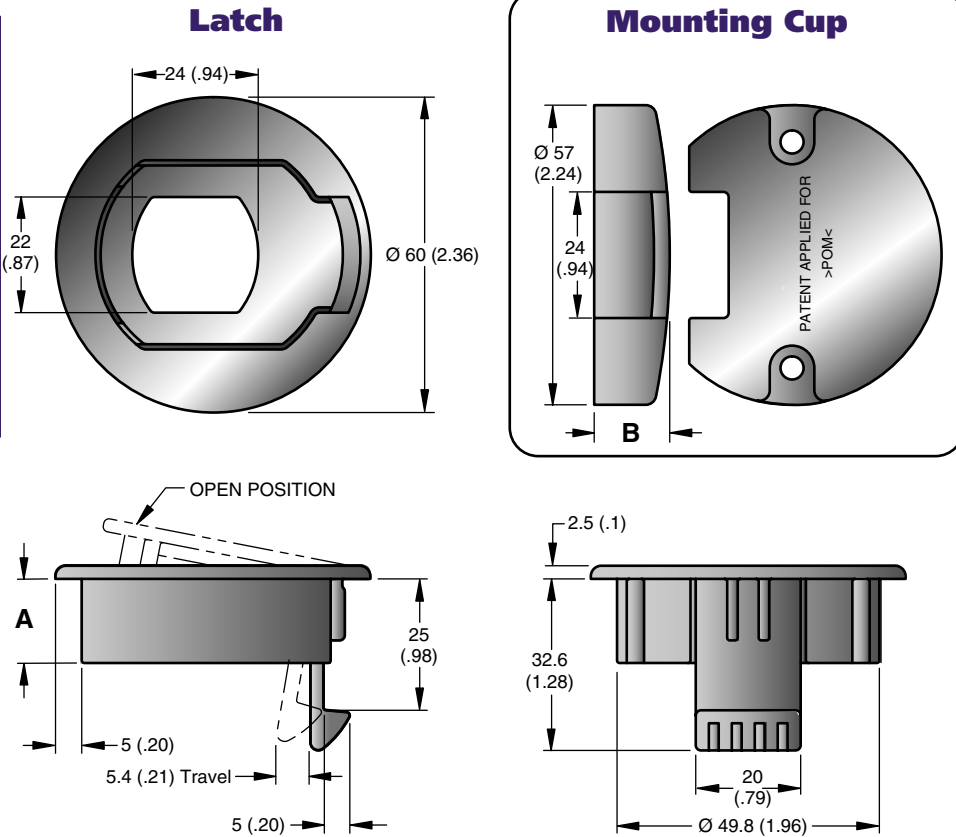
www.southco.com/M1

Southco® Push to Close Latches

Flush Simplicity

- Pull to open
- Corrosion-resistant materials
- Very low profile
- Single, round-hole installation

Push to Close Latches Visible



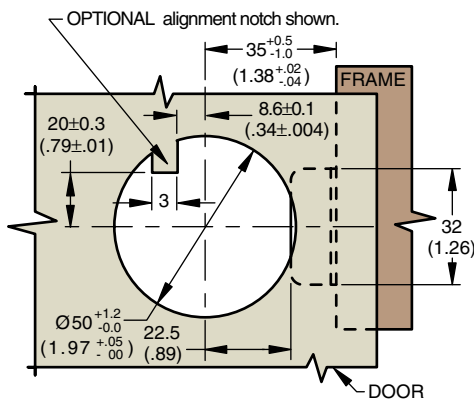
Lift the handle to open...



Push the door to latch.

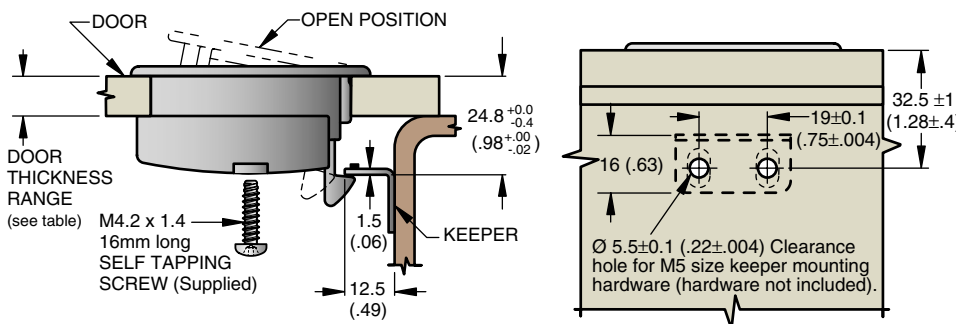
DOOR THICKNESS RANGE	A	B	PART NUMBER
1 (.04) - 7 (.28)	16 (.63)	20.4 (.80)	M1-81 •
7 (.28) - 13 (.51)	16 (.63)	14.3 (.57)	M1-82 •
13 (.51) - 19 (.75)	22 (.87)	14.3 (.57)	M1-83 •

Panel Preparation



Align latch with frame, secure with mounting cup and self tapping screws (supplied with all parts).

CAUTION: Do not over-tighten screws.



Material and Finish

LATCH and MOUNTING CUP: Acetal, black.
KEEPER: 304 Stainless steel, passivated.
SCREWS: 302 Stainless steel, passivated.

Minimum Pawl Engagement: 3.0 (.12)

Product Strength Guidelines

(To assist in your product selection; samples are available for your evaluation.)

Maximum static load: 135 N (30 lbs.)
Average ultimate load: 175 N (39 lbs.)
Maximum tightening torque on mounting screws: 0.5 to 0.8 N•m (4.4 to 7.1 in.-lbs.)

Flammability Rating: UL94-HB
Operating Temperature Range: -40°C (-40°F) to 80 °C (176°F)

millimeter (inch)
millimeter (inch)

Dimensions without tolerances are for reference only.