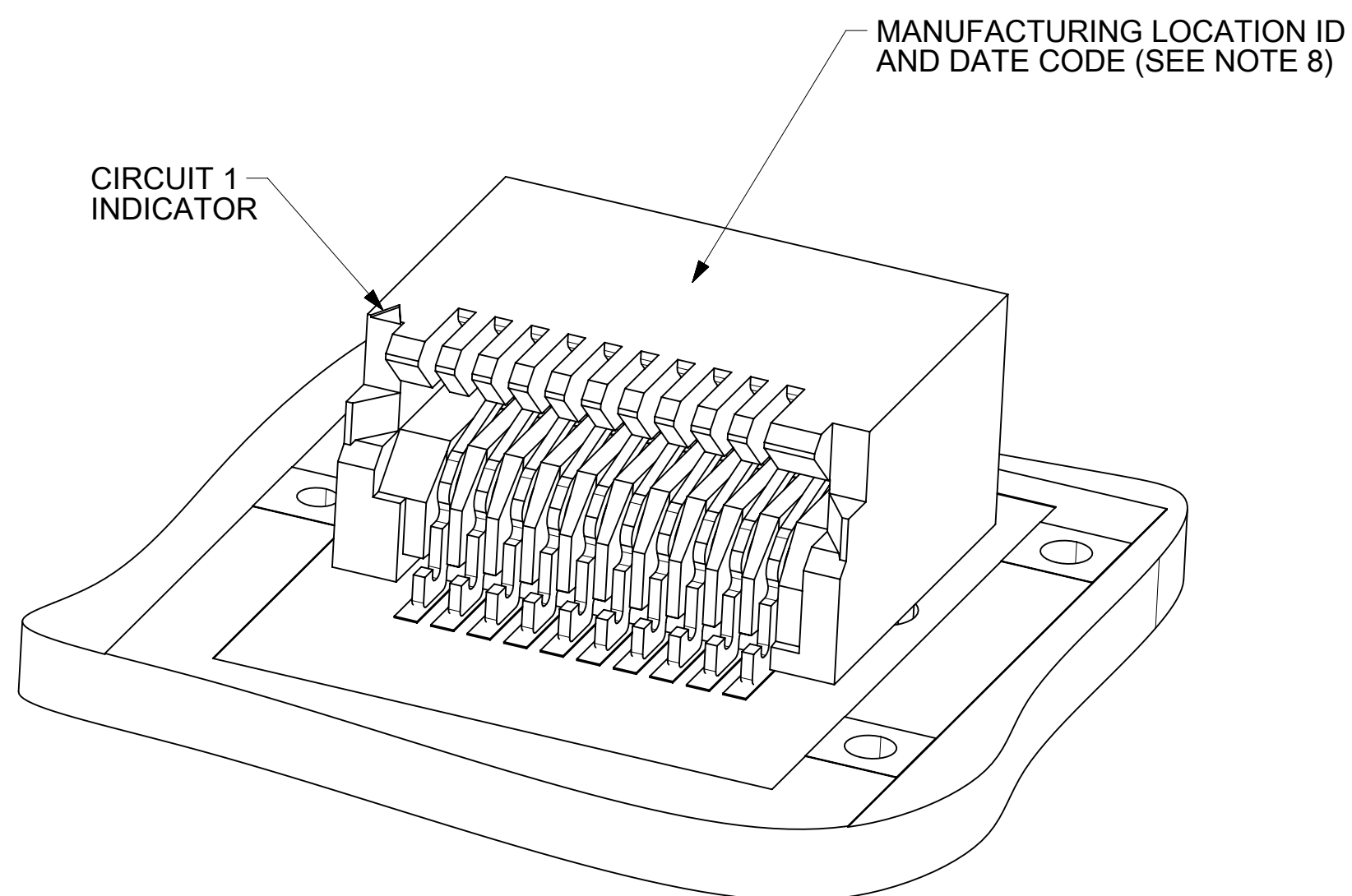


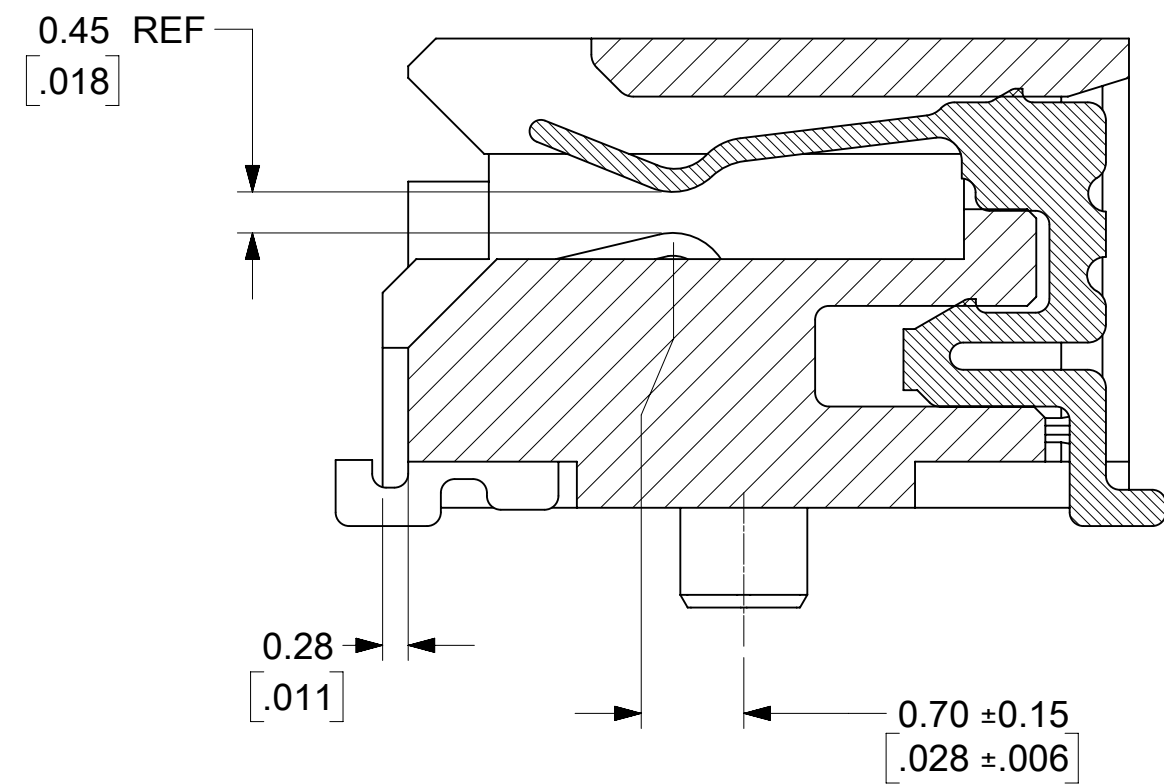
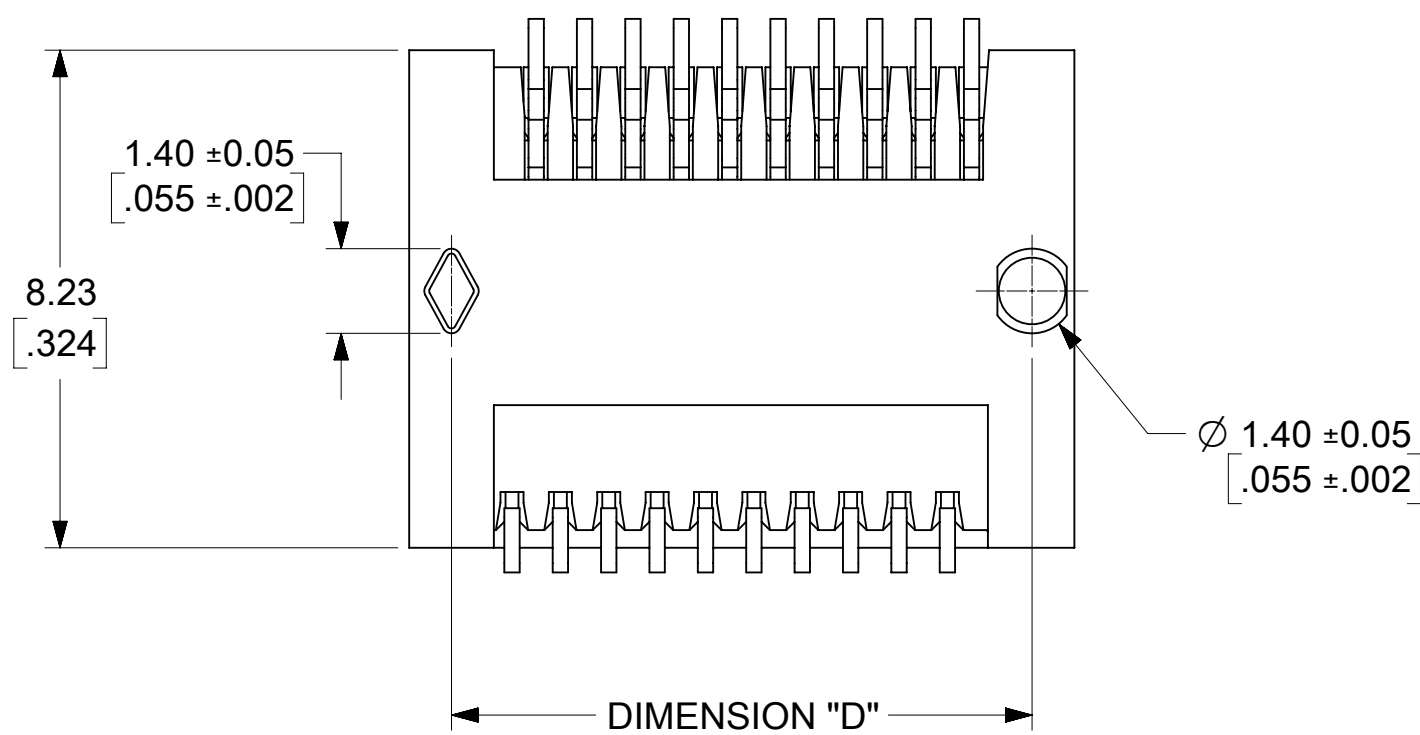
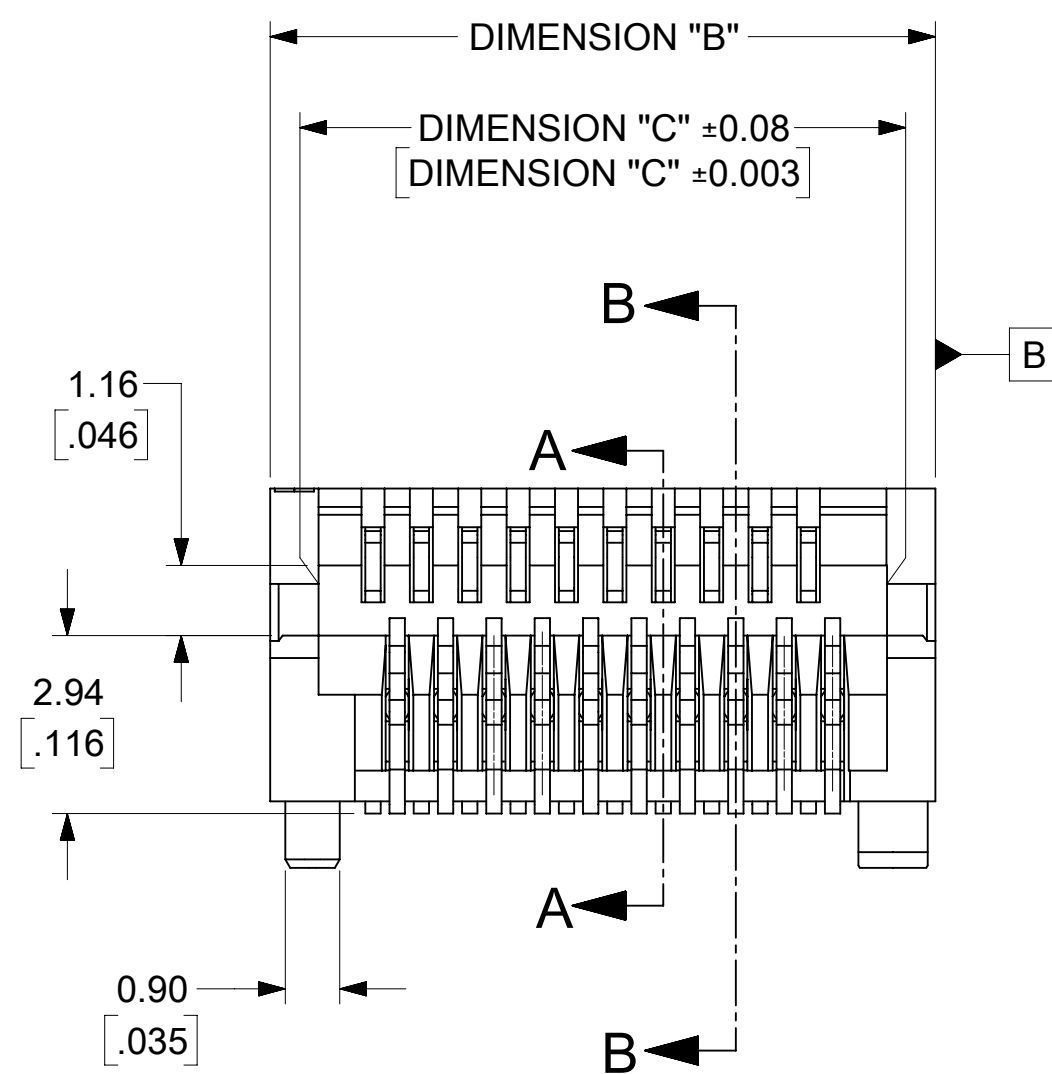
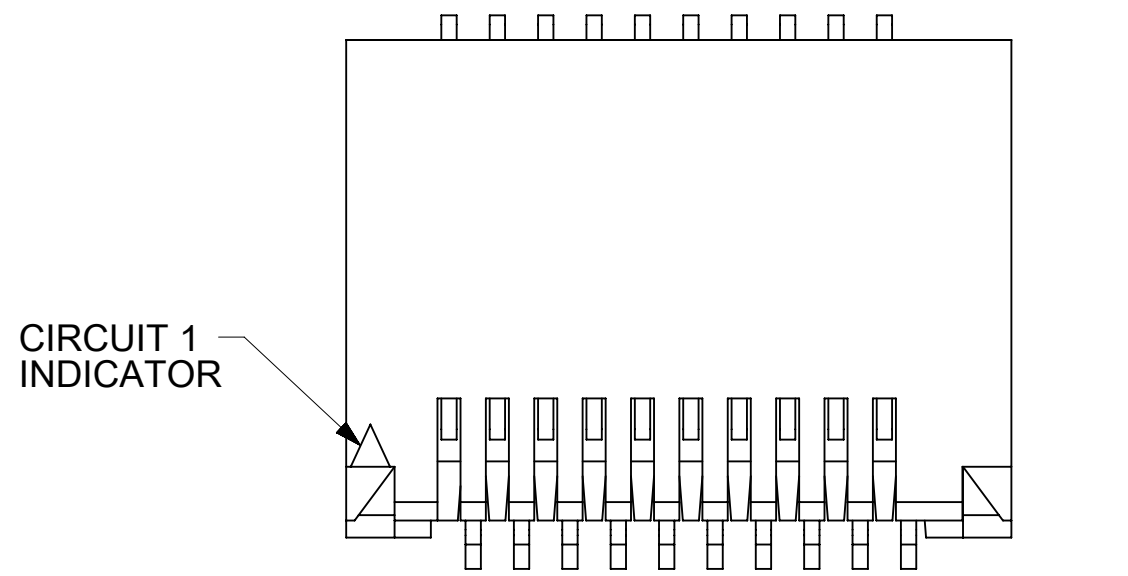
CKT SIZE	PART NUMBER	TOOLED	DESCRIPTION	DIMENSIONS				MULTI-SOURCE AGREEMENT	CIRCUIT BOARD LAYOUT
				"A"	"B"	"C"	"D"		
20	74441-0001	YES	PLATED PER NOTE 2	1.10/.043	11.00/.433	9.40/.370	9.60/.378	SFP	SEE SHEET 3
	74441-0004	NO*	PLATED PER NOTE 2	0.76/.030					
	74441-0010	YES	PLATED PER NOTE 3	1.10/.043					
	74441-0014	NO*	PLATED PER NOTE 3	0.76/.030					
	74441-0041	YES	PLATED PER NOTE 5	1.10/.043					
30	74441-0007	YES	PLATED PER NOTE 2	1.10/.043	15.00/.591	13.40/.528	13.60/.535	XFP	SEE SHEET 4
70	74441-0003	YES	PLATED PER NOTE 2	1.10/.043	31.00/1.220	29.40/1.517	29.60/1.165	XENPAK XPAK X2	SEE SHEET 5

NOTES

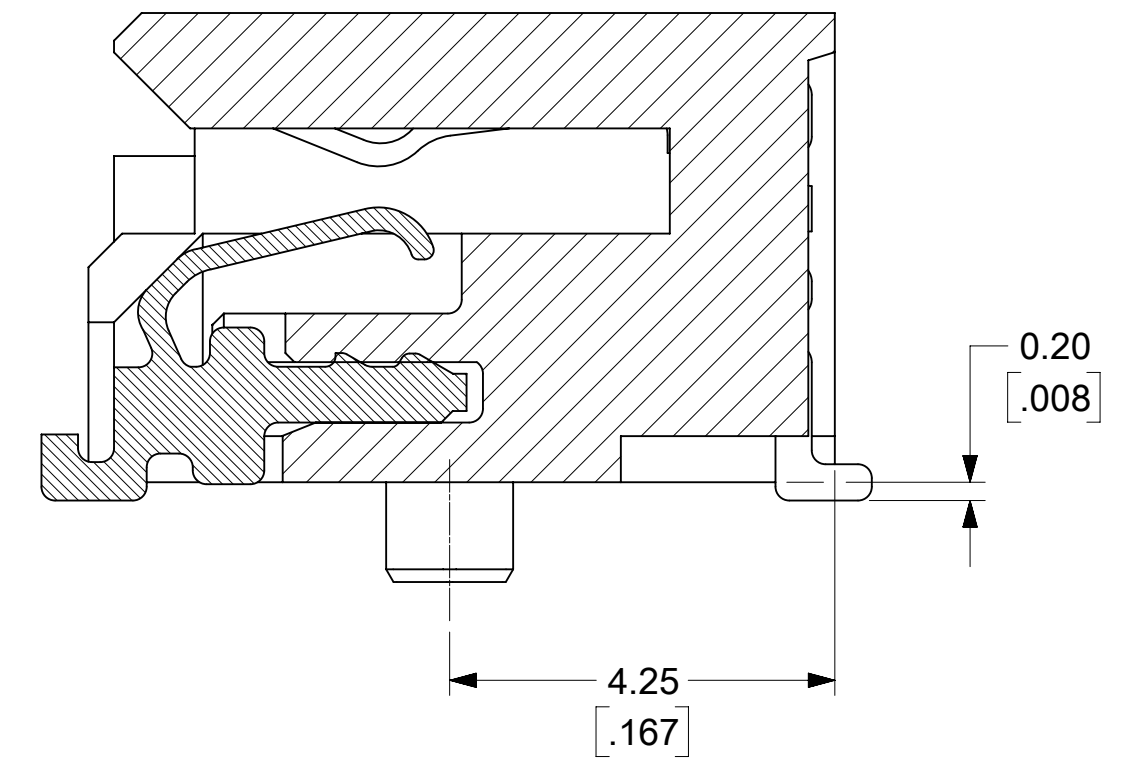
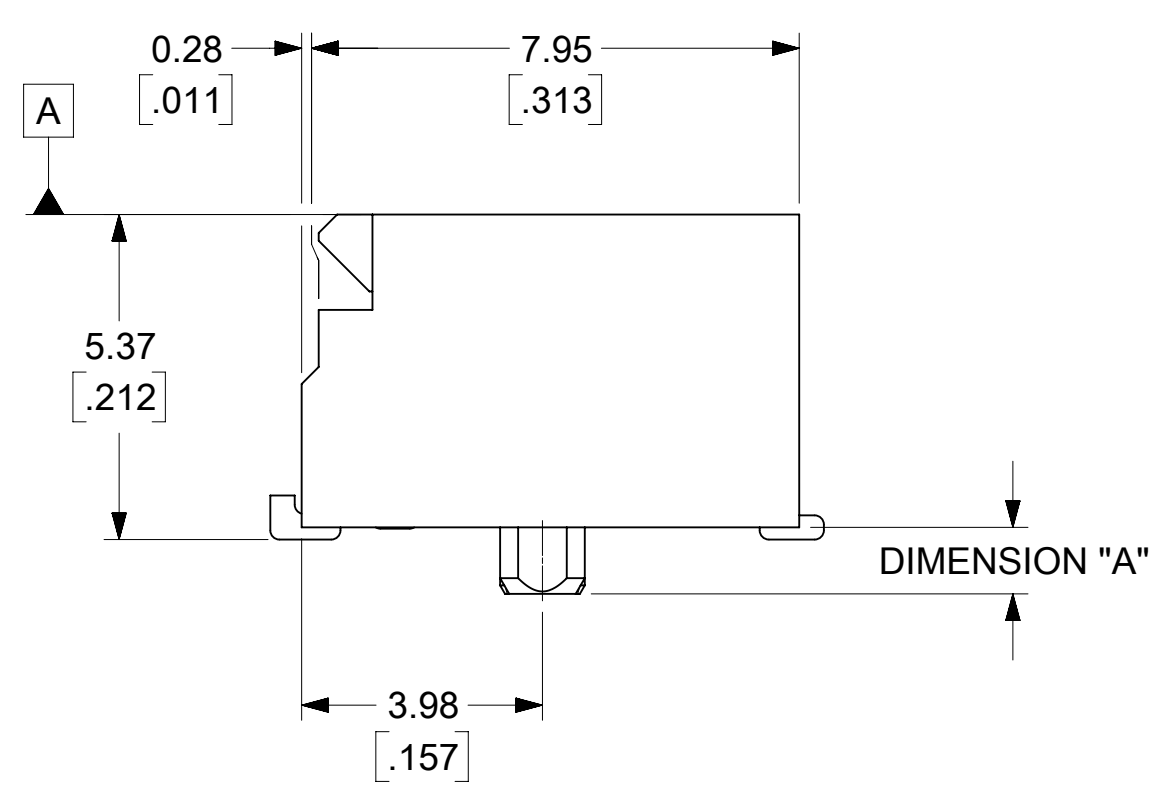
- MATERIAL:
HOUSING - HIGH TEMPERATURE THERMOPLASTIC GLASS FILLED, UL 94V-0, BLACK
TERMINALS - COPPER ALLOY
- PLATING (SEE TABLE):
CONTACT AREA - 0.38 MICROMETER MINIMUM GOLD OVER NICKEL
SOLDER FOOT AREA - 2.54 MICROMETER MINIMUM TIN OVER NICKEL
- PLATING (SEE TABLE):
CONTACT AREA - 0.76 MICROMETER MINIMUM GOLD OVER NICKEL
SOLDER AREA - 2.54 MICROMETER MINIMUM TIN OVER NICKEL
- PLATING (SEE TABLE):
CONTACT AREA - 0.76 MICROMETER MINIMUM GOLD OVER
2.54 MICROMETERS MINIMUM NICKEL.
SOLDER AREA: GOLD FLASH OVER NICKEL.
- PLATING (SEE TABLE):
CONTACT AREA - 0.38 MICROMETER MINIMUM GOLD OVER NICKEL;
SOLDER AREA: GOLD FLASH OVER NICKEL.
- SOLDER FEET COPLANAR WITHIN 0.10/.004 FOR 20, 30 AND 40 CIRCUIT CONNECTORS,
WITHIN 0.15/.006 FOR 50 AND 70 CIRCUIT CONNECTORS
- * CONTACT PLANT FOR MORE INFORMATION
- DATE CODE: 4 DIGIT (3 DIGIT DAY, 1 DIGIT YEAR)
- THE CIRCUIT 1 INDICATOR MAY VARY IN SIZE AND APPEARANCE.



THIS DRAWING CONTAINS INFORMATION THAT IS PROPRIETARY TO MOLEX ELECTRONIC TECHNOLOGIES, LLC AND SHOULD NOT BE USED WITHOUT WRITTEN PERMISSION									
DIMENSION UNITS MM/INCH		SCALE 8:1		CURRENT REV DESC: REMOVED OBSOLETE PARTS AS PER PCN#511683.				molex	
GENERAL TOLERANCES (UNLESS SPECIFIED)				SALES ASSEMBLY Z AXIS PLUGGABLE PCB CONNECTOR					
4 PLACES ±		MM		INCH		EC NO: 755035		PRODUCT CUSTOMER DRAWING	
3 PLACES ±		± 0.005		± 0.01		DRWN: ANIKES1 2023/03/31		DOCUMENT NUMBER	
2 PLACES ±		± 0.13		± 0.01		CHK'D: GGA 2023/06/29		SD-74441-001	
1 PLACE ±		± 0.25		±		APPR: GGA 2023/06/29		DOC TYPE	
0 PLACES ±		±		±		INITIAL REVISION:		DOC PART	
ANGULAR TOL ± 0.5 °		±		±		DRWN: HAVERY 2000/04/06		REVISION	
DRAFT WHERE APPLICABLE MUST REMAIN WITHIN DIMENSIONS		THIRD ANGLE PROJECTION		DRAWING		SERIES		MATERIAL NUMBER	
		C-SIZE		74441		SEE TABLE		CUSTOMER	
						GENERAL MARKET		SHEET NUMBER	
								1 OF 5	

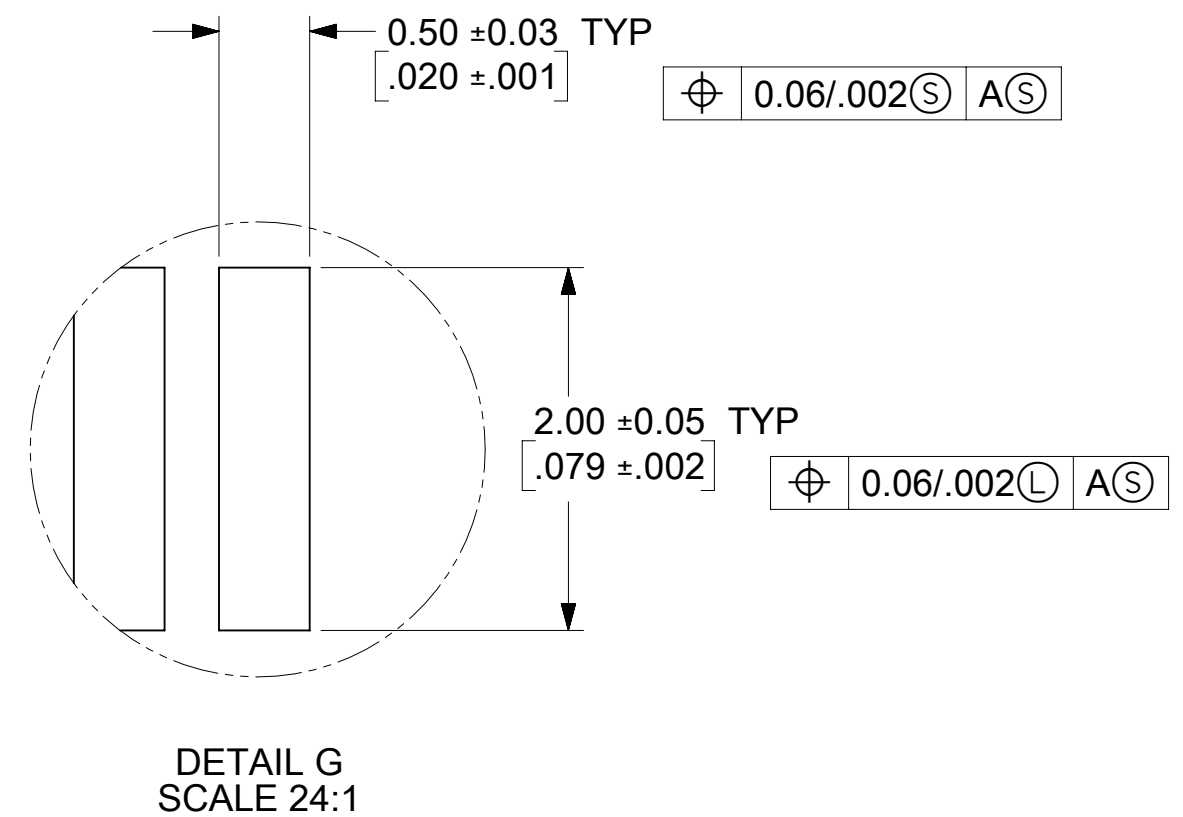
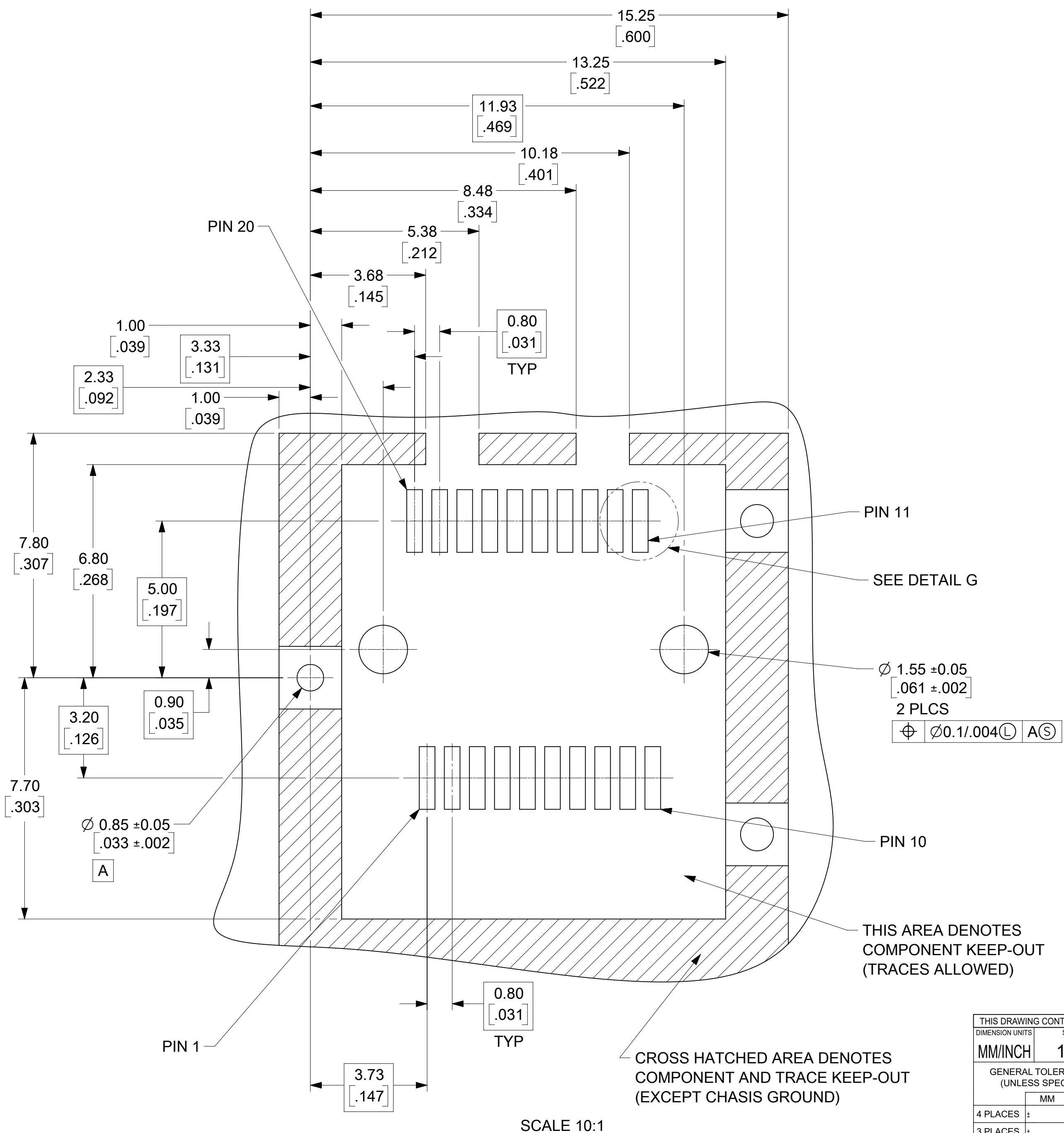


SECTION A-A
SCALE 12:1



SECTION B-B
SCALE 12:1

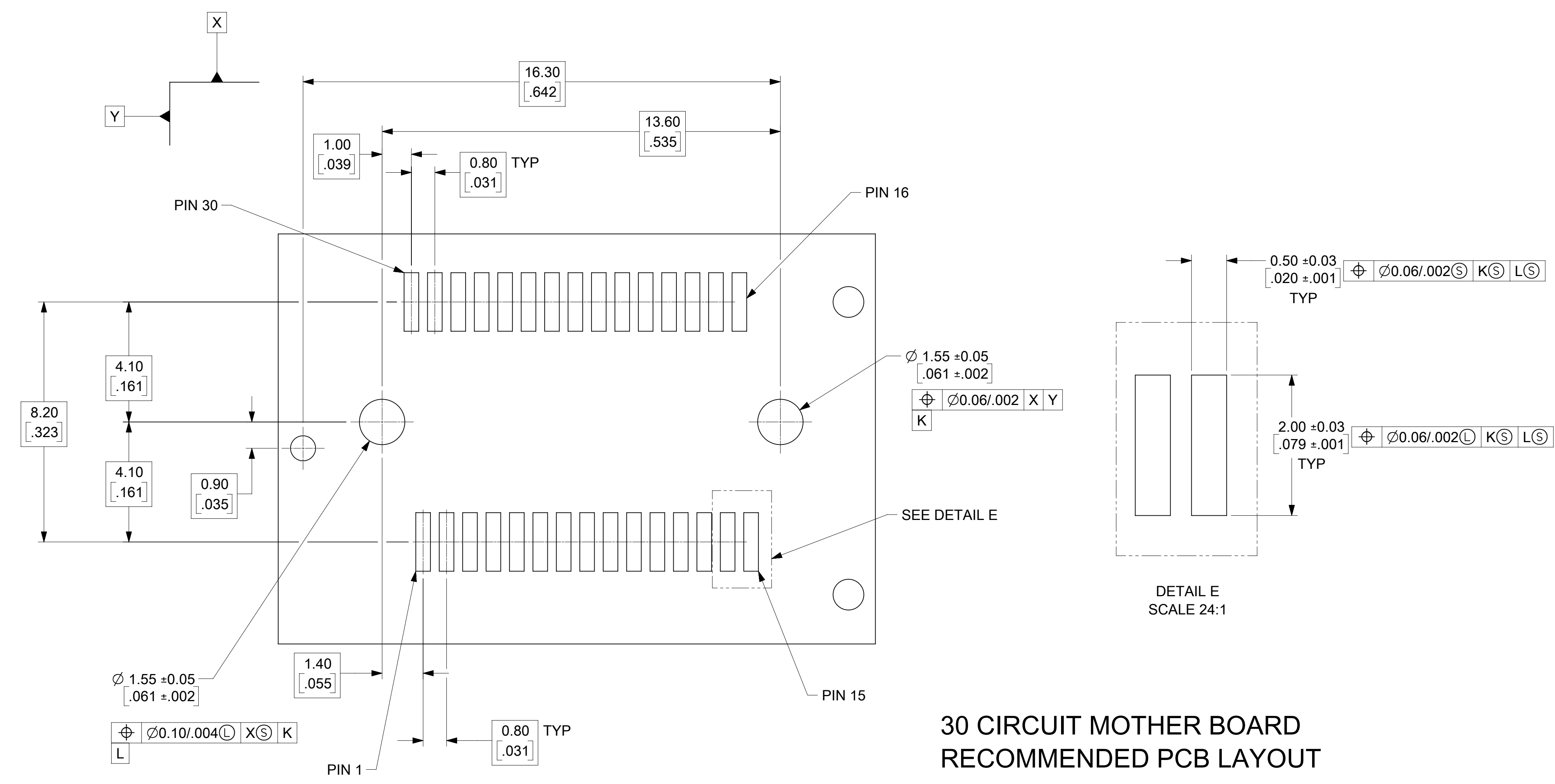
THIS DRAWING CONTAINS INFORMATION THAT IS PROPRIETARY TO MOLEX ELECTRONIC TECHNOLOGIES, LLC AND SHOULD NOT BE USED WITHOUT WRITTEN PERMISSION									
DIMENSION UNITS MM/INCH		SCALE 8:1		CURRENT REV DESC: REMOVED OBSOLETE PARTS AS PER PCN#511683.					
GENERAL TOLERANCES (UNLESS SPECIFIED)				EC NO: 755035			molex		
4 PLACES ±		±		DRWN: ANIKES1 2023/03/31					
3 PLACES ±		± 0.005		CHK'D: GGA 2023/06/29			SALES ASSEMBLY Z AXIS PLUGGABLE PCB CONNECTOR		
2 PLACES ±		0.13 ± 0.01		APPR: GGA 2023/06/29			PRODUCT CUSTOMER DRAWING		
1 PLACE ±		0.25 ±		INITIAL REVISION:			DOCUMENT NUMBER		
0 PLACES ±		±		DRWN: HAVERY 2000/04/06			SD-74441-001		
ANGULAR TOL ± 0.5 °		THIRD ANGLE PROJECTION			DRAWING		SERIES		MATERIAL NUMBER
DRAFT WHERE APPLICABLE MUST REMAIN WITHIN DIMENSIONS				C-SIZE	74441	CUSTOMER		SHEET NUMBER	
				SEE TABLE	GENERAL MARKET		PSD	001	AC1
DOCUMENT STATUS P1 RELEASE DATE 2023/06/29 13:27:15				2 OF 5					



20 CIRCUIT MOTHER BOARD RECOMMENDED PCB LAYOUT

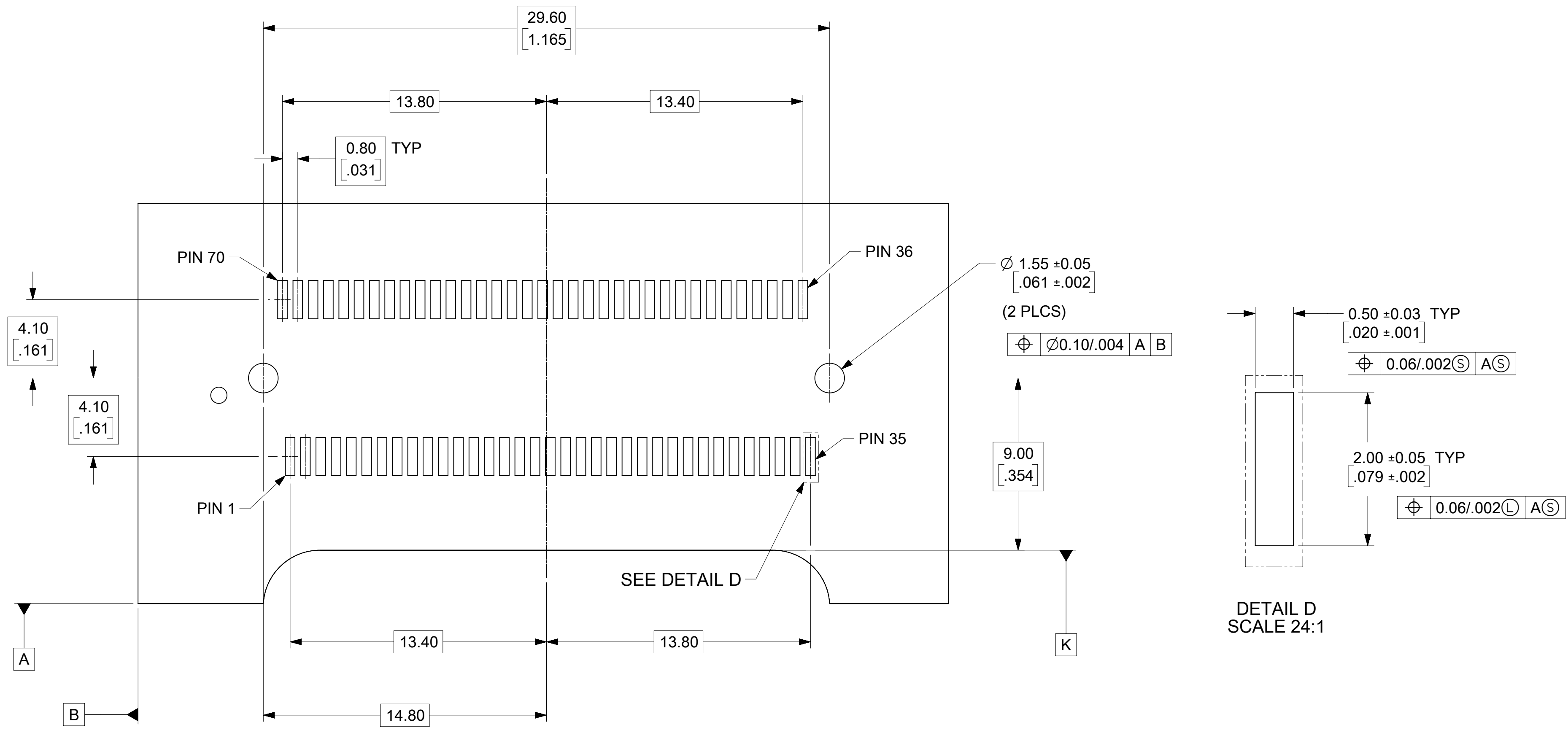
SCALE 10:1

THIS DRAWING CONTAINS INFORMATION THAT IS PROPRIETARY TO MOLEX ELECTRONIC TECHNOLOGIES, LLC AND SHOULD NOT BE USED WITHOUT WRITTEN PERMISSION									
DIMENSION UNITS		SCALE		CURRENT REV DESC: REMOVED OBSOLETE PARTS AS PER PCN#511683.					
MM/INCH		10:1		molex SALES ASSEMBLY Z AXIS PLUGGABLE PCB CONNECTOR PRODUCT CUSTOMER DRAWING DOCUMENT NUMBER: SD-74441-001 DOC TYPE: PSD DOC PART: 001 REVISION: AC1 MATERIAL NUMBER: SEE TABLE CUSTOMER: GENERAL MARKET SHEET NUMBER: 3 OF 5					
GENERAL TOLERANCES (UNLESS SPECIFIED)									
	MM	INCH							
4 PLACES	±		±						
3 PLACES	±		± 0.005						
2 PLACES	±	0.13	± 0.01						
1 PLACE	±	0.25	±						
0 PLACES	±		±						
ANGULAR TOL ± 0.5°				THIRD ANGLE PROJECTION		DRAWING		SERIES	
DRAFT WHERE APPLICABLE MUST REMAIN WITHIN DIMENSIONS						C-SIZE		74441	



30 CIRCUIT MOTHER BOARD RECOMMENDED PCB LAYOUT

THIS DRAWING CONTAINS INFORMATION THAT IS PROPRIETARY TO MOLEX ELECTRONIC TECHNOLOGIES, LLC AND SHOULD NOT BE USED WITHOUT WRITTEN PERMISSION									
DIMENSION UNITS MM/INCH		SCALE 6:1		CURRENT REV DESC: REMOVED OBSOLETE PARTS AS PER PCN#511683.				molex	
GENERAL TOLERANCES (UNLESS SPECIFIED)				EC NO: 755035					
				DRWN: ANIKES1 2023/03/31				SALES ASSEMBLY	
4 PLACES ±				CHK'D: GGA 2023/06/29				Z AXIS PLUGGABLE PCB CONNECTOR	
3 PLACES ±		± 0.005		APPR: GGA 2023/06/29				PRODUCT CUSTOMER DRAWING	
2 PLACES ±		0.13 ± 0.01		INITIAL REVISION:				DOCUMENT NUMBER	
1 PLACE ±		0.25 ±		DRWN: HAVERY 2000/04/06				SD-74441-001	
0 PLACES ±				APPR: MBANAKIS 2000/04/06				PSD 001 AC1	
ANGULAR TOL ± 0.5°				THIRD ANGLE PROJECTION		DRAWING		MATERIAL NUMBER	
DRAFT WHERE APPLICABLE MUST REMAIN WITHIN DIMENSIONS				C-SIZE		SERIES		CUSTOMER	
				74441		GENERAL MARKET		SHEET NUMBER	
								4 OF 5	



70 CIRCUIT MOTHER BOARD RECOMMENDED PCB LAYOUT

THIS DRAWING CONTAINS INFORMATION THAT IS PROPRIETARY TO MOLEX ELECTRONIC TECHNOLOGIES, LLC AND SHOULD NOT BE USED WITHOUT WRITTEN PERMISSION															
DIMENSION UNITS MM/INCH		SCALE 6:1		CURRENT REV DESC: REMOVED OBSOLETE PARTS AS PER PCN#511683.				molex							
GENERAL TOLERANCES (UNLESS SPECIFIED)				EC NO: 755035 DRWN: ANIKES1 CHK'D: GGA APPR: GGA 2023/03/31 2023/06/29 2023/06/29				SALES ASSEMBLY Z AXIS PLUGGABLE PCB CONNECTOR							
4 PLACES ±		±						PRODUCT CUSTOMER DRAWING							
3 PLACES ±		± 0.005						DOCUMENT NUMBER				DOC TYPE		DOC PART	
2 PLACES ±		0.13 ± 0.01						SD-74441-001				PSD		001	
1 PLACE ±		0.25 ±						INITIAL REVISION:				AC1		REVISION	
0 PLACES ±		±		DRWN: HAVERY APPR: MBANAKIS 2000/04/06 2000/04/06				MATERIAL NUMBER		CUSTOMER		SHEET NUMBER			
ANGULAR TOL ± 0.5°				THIRD ANGLE PROJECTION		DRAWING		SERIES		SEE TABLE		GENERAL MARKET		5 OF 5	
DRAFT WHERE APPLICABLE MUST REMAIN WITHIN DIMENSIONS				C-SIZE		74441		MATERIAL NUMBER		CUSTOMER		SHEET NUMBER		5 OF 5	