

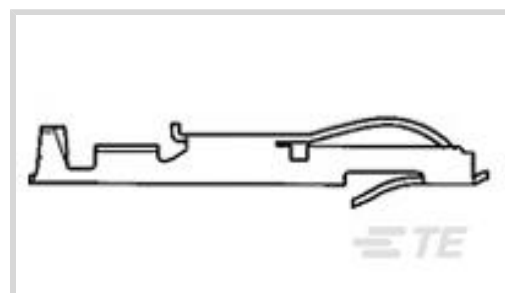
**AMP**

TE Internal #: 583853-4

Socket Contact, Gold, Locking Lance Contact Retention, 24 – 20
AWG Wire Size, .2 – .6 mm² Wire Size, 404 – 1020 CMA Wire Size,
Crimp, Phosphor Bronze

[View on TE.com >](#)

Connectors > Contacts > Connector Contacts

Contact Type: **Socket**Contact Mating Area Plating Material: **Gold**Wire Contact Termination Area Plating Material: **Tin-Lead**Contact Retention Within Housing: **With**Contact Retention Type Within Housing: **Locking Lance****Features****Contact Features**

| | |
|--|-----------------|
| PCB Contact Termination Area Plating Material | Nickel |
| Contact Type | Socket |
| Contact Mating Area Plating Material | Gold |
| Wire Contact Termination Area Plating Material | Tin-Lead |
| Contact Retention Within Housing | With |
| Contact Base Material | Phosphor Bronze |
| Contact Current Rating (Max) | 5 A |

Termination Features

| | |
|------------------------------------|--------------|
| Termination Method to Wire & Cable | Crimp |
| Product Terminates To | Wire & Cable |

Mechanical Attachment

| | |
|---------------------------------------|---------------|
| Contact Retention Type Within Housing | Locking Lance |
|---------------------------------------|---------------|

Dimensions

| | |
|--------------------------------------|--------------------------------|
| Compatible Insulation Diameter Range | 1.22 – 1.52 mm [.048 – .06 in] |
| Wire Size | 404 – 1020 CMA |

Usage Conditions

| | |
|-----------------------------|----------------------------|
| Operating Temperature Range | -40 – 85 °C [-40 – 185 °F] |
|-----------------------------|----------------------------|

Operation/Application



| | |
|---------------------|----------------|
| Circuit Application | Power & Signal |
|---------------------|----------------|

Identification Marking

| | |
|--------------------|-------|
| Contact Color Code | Green |
|--------------------|-------|

Packaging Features

| | |
|--------------------|-------------|
| Packaging Quantity | 5000 |
| Packaging Method | Loose Piece |

Product Compliance

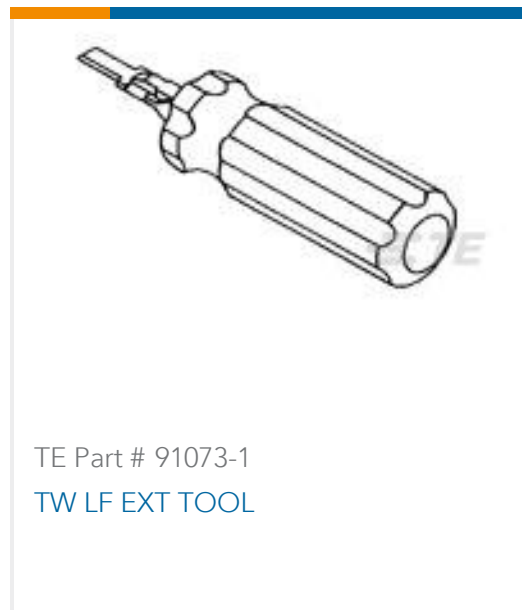
[For compliance documentation, visit the product page on TE.com>](#)

| | |
|---|---|
| EU RoHS Directive 2011/65/EU | Not Compliant |
| EU ELV Directive 2000/53/EC | Compliant with Exemptions |
| China RoHS 2 Directive MIIT Order No 32, 2016 | Restricted Materials Above Threshold |
| EU REACH Regulation (EC) No. 1907/2006 | Current ECHA Candidate List: JUNE 2024 (241) Candidate List Declared Against: JUNE 2024 (241) SVHC > Threshold: Pb (13% in Component Part) Article Safe Usage Statements: Do not eat, drink or smoke when using this product. Wash thoroughly after handling. Recycle if possible and dispose of the article by following all applicable governmental regulations relevant to your geographic location. |
| Halogen Content | Low Halogen - Br, Cl, F, I < 900 ppm per homogenous material. Also BFR/CFR/PVC Free |
| Solder Process Capability | Not applicable for solder process capability |

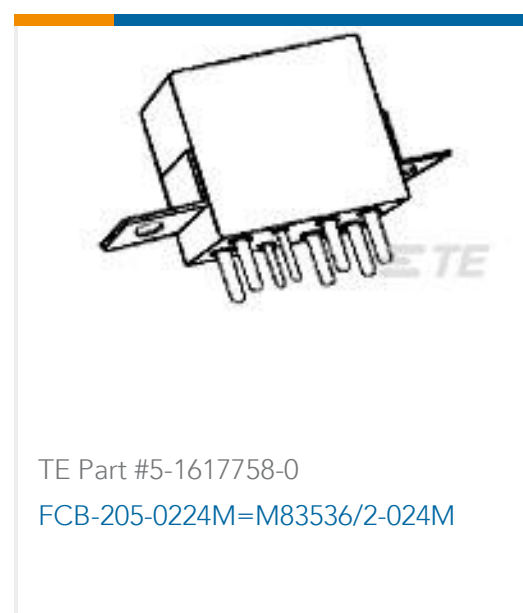
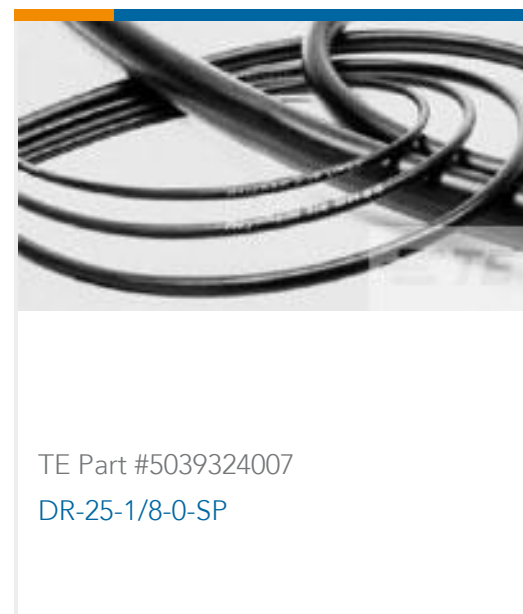
Product Compliance Disclaimer

This information is provided based on reasonable inquiry of our suppliers and represents our current actual knowledge based on the information they provided. This information is subject to change. The part numbers that TE has identified as EU RoHS compliant have a maximum concentration of 0.1% by weight in homogenous materials for lead, hexavalent chromium, mercury, PBB, PBDE, DBP, BBP, DEHP, DIBP, and 0.01% for cadmium, or qualify for an exemption to these limits as defined in the Annexes of Directive 2011/65/EU (RoHS2). Finished electrical and electronic equipment products will be CE marked as required by Directive 2011/65/EU. Components may not be CE marked. Additionally, the part numbers that TE has identified as EU ELV compliant have a maximum concentration of 0.1% by weight in homogenous materials for lead, hexavalent chromium, and mercury, and 0.01% for cadmium, or qualify for an exemption to these limits as defined in the Annexes of Directive 2000/53/EC (ELV). Regarding the REACH Regulation, the information TE provides on SVHC in articles for this part number is based on the latest European Chemicals Agency (ECHA) 'Guidance on requirements for substances in articles' posted at this URL: <https://echa.europa.eu/guidance-documents/guidance-on-reach>

Compatible Parts



Customers Also Bought



Documents

Product Drawings

TWIN LF CONT IS 20-24 AU

English

CAD Files

3D PDF

3D

Customer View Model

ENG_CVM_CVM_583853-4_BR.2d_dxf.zip



English

Customer View Model

[ENG_CVM_CVM_583853-4_BR.3d_igs.zip](#)

English

Customer View Model

[ENG_CVM_CVM_583853-4_BR.3d_stp.zip](#)

English

Customer View Model

[ENG_CVM_583853-4_V1.3d_igs.zip](#)

English

[3D PDF](#)

English

Customer View Model

[ENG_CVM_583853-4_V1.3d_stp.zip](#)

English

Customer View Model

[ENG_CVM_583853-4_V1.2d_dxf.zip](#)

English

By downloading the CAD file I accept and agree to the [Terms and Conditions](#) of use.

[Product Specifications](#)

[Application Specification](#)

English