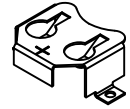


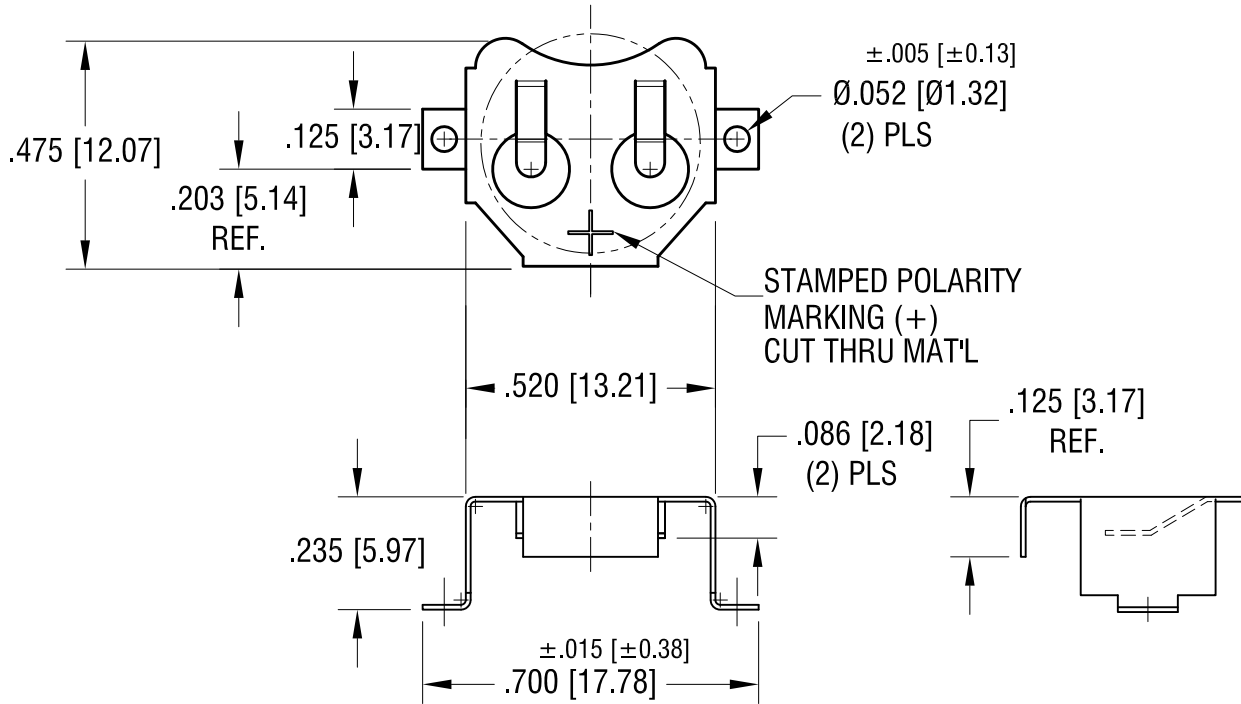
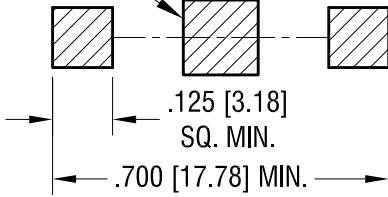
THIS DOCUMENT IS THE PROPERTY OF
KEYSTONE ELECTRONICS CORP. AND
SHALL NOT BE REPRODUCED, DISTRIBUTED
OR USED AS A BASIS FOR MANUFACTURE
WITHOUT PRIOR WRITTEN PERMISSION
FROM KEYSTONE ELECTRONICS CORP.

ACTUAL SIZE



MOUNTING DETAIL

NEG. CONTACT (PAD)
.156 [3.96] SQ. MIN.



KEYSTONE ELECTRONICS CORP.

www.keyelco.com • NEW HYDE PARK, NY 11040 • Tel (516) 328-7500

PART NAME
11.6mm SM BUTTON CELL RETAINER

MATERIAL
.010 [0.25] TH'K PHOSPHOR BRONZE

| | | |
|----------------------------------|--------------|-----------------|
| FINISH MATTE TIN PLATE | DRN BY NT | DATE 4.03.09 |
| | APP'D RH | SCALE 2.5X |

| | | |
|---|-----------|------------------------|
| TOLERANCES INCH [MM] DECIMAL ±.010 [±0.25] | CODE C | DWG NO. 3096 |
| ANGULAR ± 1° UNLESS OTHERWISE SPECIFIED | | |

2.29.24 NO CHANGES TO PART

B

12.27.16 CHANGE AS PER ECN 16-122

A

DATE DESCRIPTION

REV.