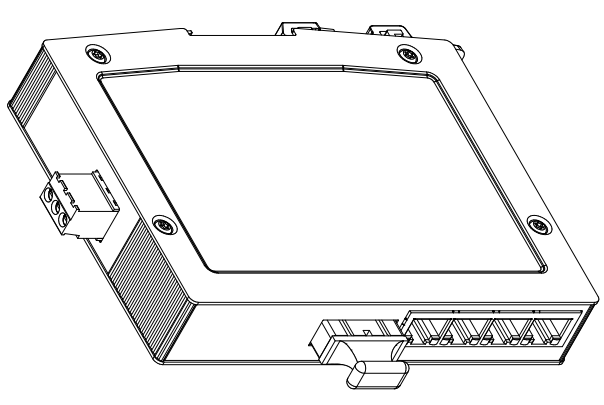
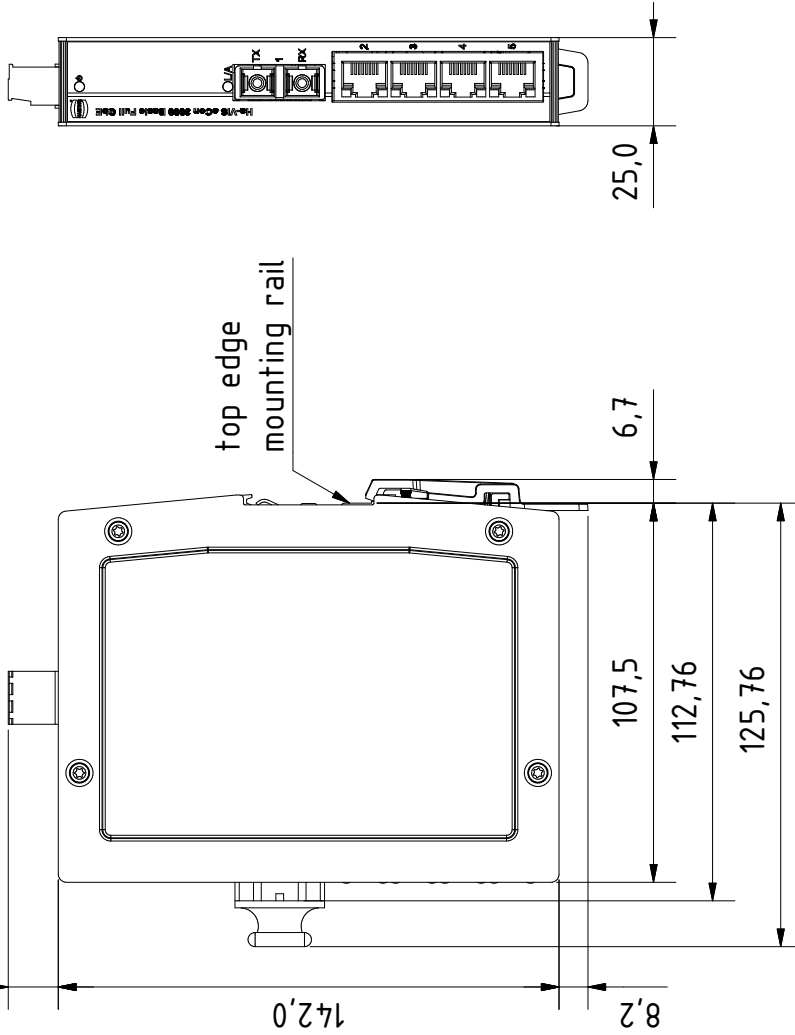



1 2 3 4 5 6



for mounting rail acc.to DIN EN 60715

	All Dimensions in mm Original Size DIN A4		Scale	Free size tol.	Ref.
	All rights reserved Department EL_PD - DE		1:2		Sub.
HARTING Electric GmbH & Co. KG D-32339 Espelkamp		Created by	Inspected by	Standardisation	Date
		STK	KLA	TIE	2014-01-17
		Title <b>Ha-VIS eCon 3041GBT-AF</b>			State
					Final Release
		Type	Number	Doc-Key / ECM-Nr.	
		<b>TB</b>	<b>24034041200</b>		
		Rev.	Page		
		<b>A</b>	<b>1/1</b>		