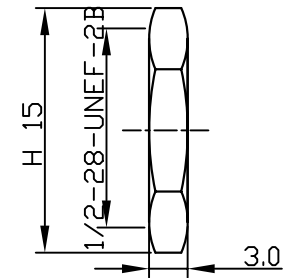
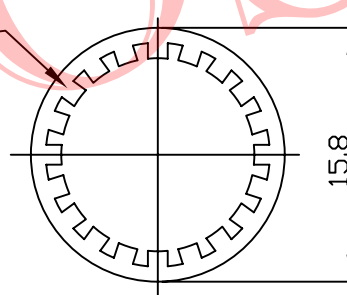
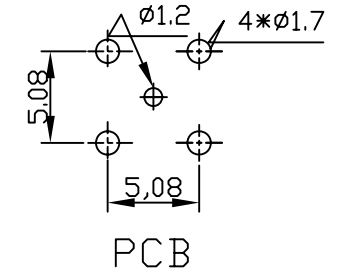
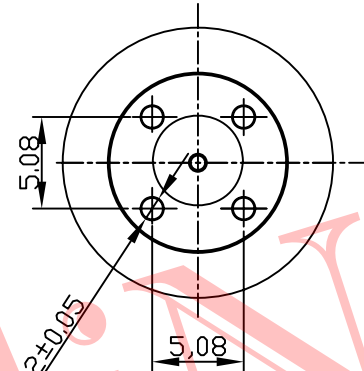
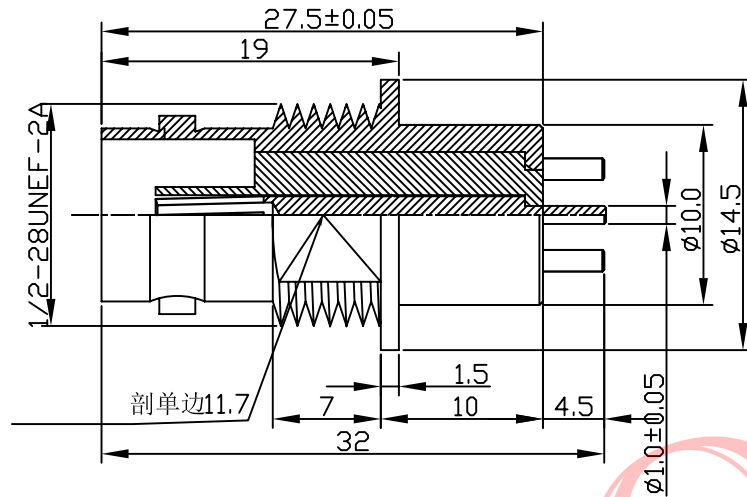




Product NO.		DOSIN-801-0050		
REV	DESCRIPTION	DWN	DATE	APPROVEN
A	First issue	JIM	2012/11/02	John kine



Specifications

Impedance: 50 Ohms
 Frequency Range: DC~3G
 VSWR: 1.3MAX
 Working Voltage: 500V rms @ sea level
 Insulation Resistance: 5000 Ohms min
 Temperature Range: -55°C TO +155°C
 Relative Temperature: ≤95% (40°C ±2°C)
 Drawings products are in line with ROHS standards

NOTE:

Tolerance	0-6 ±0.15
	6-30 ±0.20
	30-120 ±0.5
	Angular ±2°



Dosing Industrial(H.K)Co.Ltd
 东莞市德索五金电子制品有限公司
 Dosing Hardware Electronics Co.,Ltd
 E-mail: dosin2005@163.com
 dosin2005@dosin-china.com
 Web: http://www.dosinconn.com
 TEL: (0086)769-81153906
 FAX: (0086)769-81875836

E	GASKET	TE	NICKEL	1
D	NUT	BRASS	NICKEL	1
C	INSULATOR	TEFLON	NONE	1
B	CONTACT PLATINC	BRASS	GOLD	1
A	BODY	ZINC	NICKEL	1
NO	DESCRIPTION	MATERIAL	FINISHED	QTY

DRAWN 2012/11/10
 Zelin. Zhang
 CHECKED
 APPROVALS
 John Kine 12/04.2012

View	
UNIT	MM
SCALE	1:1

Name: BNC CONNECTOR DNN	
SIZE A	Product NO. DOSIN-801-0068
DateTime 2012/11/02	CAD FILE D/company drawings/BD
SHEET: 1 OF 1	