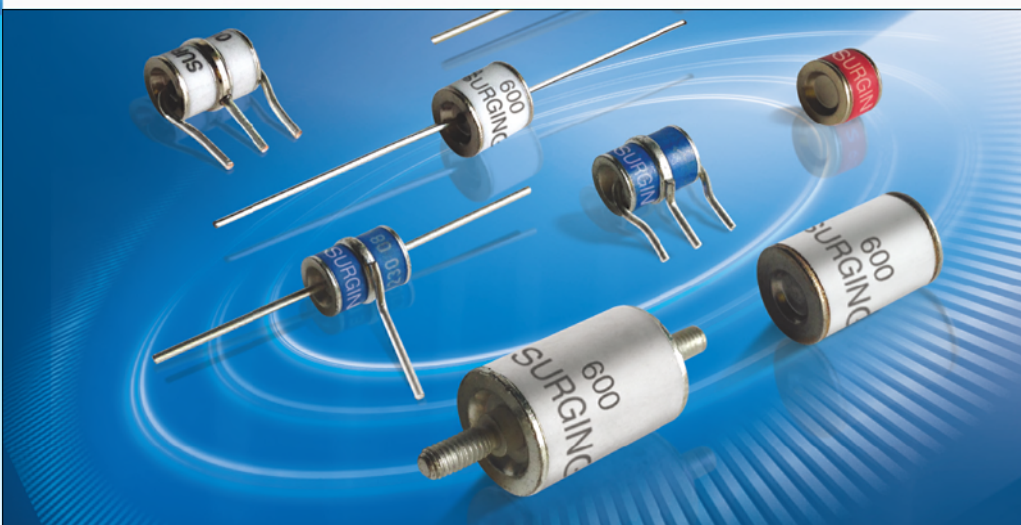


SURGiNG

紹 鑫 實 業



SurgeArresters

陶瓷气体放电管

SE8 Series

Gas Discharge Tube - SE8 Series



Gas discharge tubes (GDT) use noble gasses enclosed in ceramic tubes to provide an alternate circuit path for voltage spikes. The ceramic envelope and with nickel connectors allow for high loads and Surging offers products that function at 20KA,40KA,50KA,60KA,100KA&150KA. The breakdown voltages of the devices have a wide range (up to 20% tolerance). Major applications are high frequency telecommunication lines, stations, security systems, HID and high quality Surge Protection Devices (SPD).

Features

- RoHS & HF compliant
- Size:10.0mm*8.0mm
- DC Spark-over voltage: 75~600V
- Stable breakdown voltage.
- High insulation resistance.
- High holdover voltage.
- Large absorbing transient current capability.
- Low Capacitance
- Micro-Gap Design

Recommended Applications

- Cable Modem
- xDSL
- Set-Top Box
- Satellite and CATV equipment
- Power supplier
- Consumer electronics
- General telecom equipment

Product Name

SE8 3 - 230X F

Series:

SE8系列: φ8*10
SE3系列: φ6*8

LeadType:

0=SMD
3=Thrust

DCLineVoltage:

90X=90V
230X=230V

Package:

F=With Fail-Short mechanism

Gas Discharge Tube - SE8 Series

Electrical Characteristics

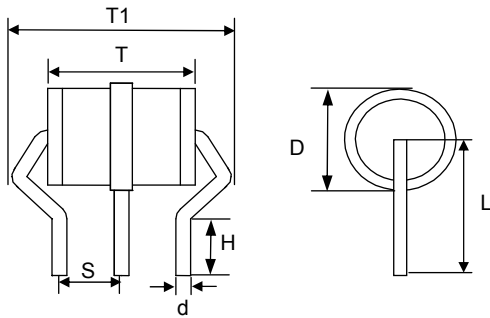
Part Number			DC Spark-over Voltage	Max. Impulse Breakdown Voltage		Max. Impulse Discharge Current (8/20 μ s)	Impulse Life(10/1000 μ s)	Normal Alternating Discharge Current	DC Holdover Voltage	Minimum Insulation Resistance	Maximum Capacitance (1MHz)
				100V/S	100V/ μ s						
83 Series	80 Series	83-F Series	(V)	(V)	(V)	10 times	100A	50Hz,1Sec	<150ms	(G Ω)	(pF)
SE83-75X	SE80-75X	SE83-75XF	75 \pm 20%	600	700	10	300	20	52	1	\leq 1.5
SE83-90X	SE80-90X	SE83-90XF	90 \pm 20%	600	700	10	300	10	52	1	\leq 1.5
SE83-150X	SE80-150X	SE83-150XF	150 \pm 20%	500	700	10	300	10	135	1	\leq 1.5
SE83-200X	SE80-200X	SE83-200XF	200 \pm 20%	500	700	10	300	10	135	1	\leq 1.5
SE83-230X	SE80-230X	SE83-230XF	230 \pm 20%	600	700	10	300	10	150	1	\leq 1.5
SE83-250X	SE80-250X	SE83-250XF	250 \pm 20%	600	700	10	300	10	150	1	\leq 1.5
SE83-350X	SE80-350X	SE83-350XF	350 \pm 20%	700	800	10	300	10	150	1	\leq 1.5
SE83-400X	SE80-400X	SE83-400XF	400 \pm 20%	800	900	10	300	10	150	1	\leq 1.5
SE83-470X	SE80-470X	SE83-470XF	470 \pm 20%	900	1000	10	300	10	150	1	\leq 1.5
SE83-600X	SE80-600X	SE83-600XF	600 \pm 20%	1000	1100	10	300	10	150	1	\leq 1.5
SE83-800X	SE80-800X	SE83-800XF	800 \pm 20%	1400	1500	10	300	10	150	1	\leq 1.5

DC Spark-over Voltage	DC Measuring Voltage
75-90V	50V
150-400V	100V
420-600V	250V

Gas Discharge Tube - SE8 Series

Dimension

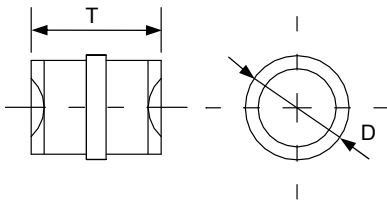
"83" (Axial lead type)



Unit:mm

Item	Dimensions	
	Spec.	Tolerance
D	8.0	+0.2/-0.8
T	10.0	±0.5
T1	13.4	+0.8/-0.5
L	7.5	±0.5
S	4.4	±0.4
d	1.0	±0.05
H	4.5	Min.

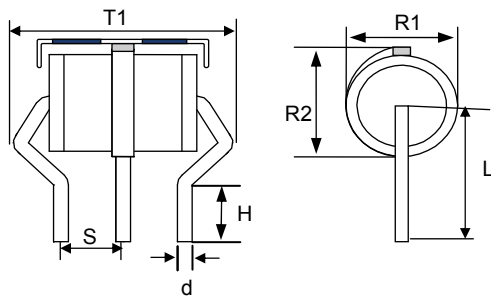
"80"(No lead type)



Unit:mm

Item	Dimensions	
	Spec.	Tolerance
D	8.0	+0.2/-0.8
T	10.0	±0.5

"83F" (No lead type)



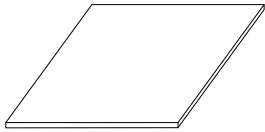
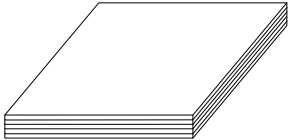
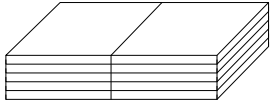
Unit:mm

Item	Dimensions	
	Spec.	Tolerance
R1	8.1	±0.3
R2	9.8	±0.4
T1	13.4	+0.8/-0.5
L	7.5	±0.5
S	4.4	±0.4
d	1.0	±0.05
H	4.5	Min.

Gas Discharge Tube - SE8 Series

Packaging Bulk

Unit:mm

Plastic Tray (200x210x10mm)	Inner Box (210x225x60mm)	Outside Box (450x245x345mm)
		
100 PCS/ Plastic Tray	500 PCS/ Box	5,000 PCS/ Carton

Warehouse Storage Conditions of Products

• Storage Conditions:

1. Storage Temperature: -10°C~+40°C
2. Relative Humidity:≤75%RH
3. Keep away from corrosive atmosphere and sunlight.

• Period of Storage: 1 year