

ICS25-F22V-7035 - Connection plate



1079495

<https://www.phoenixcontact.com/us/products/1079495>

Please be informed that the data shown in this PDF document is generated from our online catalog. Please find the complete data in the user documentation. Our general terms of use for downloads are valid.

DIN rail housing, ICS filler, with vents, width: 25 mm, height: 7.25 mm, depth: 22.4 mm, color: light gray (similar RAL 7035)



Your advantages

- Flexible use, thanks to the modular system and unique modularity in the connection technology
- Standardized connections such as RJ45, USB, D-SUB and antenna sockets as components that can be integrated
- Optimal space utilization, as well as adaptability of design, colors, and printing
- Customized processing for any customer-specific connection technology
- Easy and fast push-in mounting of assembled printed-circuit boards, thanks to stable guide rails

Commercial data

| | |
|--------------------------------------|---------------|
| Item number | 1079495 |
| Packing unit | 10 pc |
| Minimum order quantity | 10 pc |
| Sales key | AC09 |
| Product key | ACHAEE |
| GTIN | 4055626798776 |
| Weight per piece (including packing) | 1.78 g |
| Weight per piece (excluding packing) | 1.15 g |
| Customs tariff number | 85389099 |
| Country of origin | PL |

ICS25-F22V-7035 - Connection plate

1079495

<https://www.phoenixcontact.com/us/products/1079495>

Technical data

Notes

| | |
|---------------|---|
| Assembly note | Refer to the data sheet for the range in the download area. |
|---------------|---|

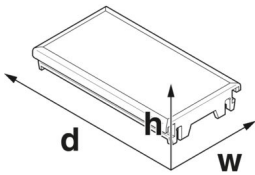
Product properties

| | |
|------------------------------|------------------------|
| Product type | Connection plate |
| Housing type | DIN rail housing |
| Housing series | ICS |
| Product family | ICS25 |
| Type | ICS filler, with vents |
| Ventilation openings present | yes |

Data management status

| | |
|------------------|----|
| Article revision | 01 |
|------------------|----|

Dimensions

| | |
|---------------------|--|
| Dimensional drawing |  |
| Width | 25 mm |
| Height | 7.25 mm |
| Depth | 22.4 mm |

PCB design

| | |
|---------------|-------------------|
| PCB thickness | 1.4 mm ... 1.8 mm |
|---------------|-------------------|

Material specifications

| | |
|--|-----------------------|
| Color (Housing) | light gray (RAL 7035) |
| Flammability rating according to UL 94 | V0 |
| CTI according to IEC 60112 | 600 |
| Housing material | Polyamide |
| Surface characteristics | untreated |

Environmental and real-life conditions

Vibration test

| | |
|---------------|-----------------------------|
| Specification | IEC 60068-2-6:2007-12 |
| Frequency | 10 - 150 - 10 Hz |
| Sweep speed | 1 octave/min |
| Amplitude | 0.15 mm (10 Hz ... 58.1 Hz) |
| Acceleration | 2g (58.1 Hz ... 150 Hz) |

ICS25-F22V-7035 - Connection plate



1079495

<https://www.phoenixcontact.com/us/products/1079495>

| | |
|------------------------|-------------------|
| Test duration per axis | 2.5 h |
| Test directions | X-, Y- and Z-axis |

Glow-wire test

| | |
|------------------|------------------------|
| Specification | IEC 60695-2-11:2014-02 |
| Temperature | 850 °C |
| Time of exposure | 30 s |

Thermal stability / ball thrust test

| | |
|---------------|------------------------|
| Specification | IEC 60695-10-2:2014-02 |
| Temperature | 125 °C |
| Test duration | 1 h |
| Force | 20 N |

Mechanical strength / tumbling barrel

| | |
|----------------|------------------------|
| Specification | IEC 60068-2-31:2008-05 |
| Height of fall | 50 cm |
| Frequency | 50 |

Shocks

| | |
|--------------------------------|-----------------------------------|
| Specification | IEC 60068-2-27:2008-02 |
| Pulse shape | Half-sine |
| Acceleration | 15g |
| Shock duration | 11 ms |
| Number of shocks per direction | 3 |
| Test directions | X-, Y- and Z-axis (pos. and neg.) |

Test for substances that would hinder coating with paint or varnish

| | |
|---------------|--------------------|
| Specification | VDMA 24364:2018-05 |
| Result | Test passed |

Ambient conditions

| | |
|---|--|
| Max. IP code to attain | IP20 |
| Ambient temperature (operation) | -40 °C ... 105 °C (depending on power dissipation) |
| Ambient temperature (storage/transport) | -40 °C ... 55 °C |
| Ambient temperature (assembly) | -5 °C ... 100 °C |
| Relative humidity (storage/transport) | 80 % |

PCB data

| | |
|-----------------------|-------------------|
| Number of PCB holders | 2 |
| Type of PCB mount | Slot |
| Thickness of the PCB | 1.4 mm ... 1.8 mm |

Mounting

| | |
|---------------|------|
| Mounting type | Slot |
|---------------|------|

Packaging specifications

ICS25-F22V-7035 - Connection plate



1079495

<https://www.phoenixcontact.com/us/products/1079495>

Outer packaging type

Resealable bag

ICS25-F22V-7035 - Connection plate

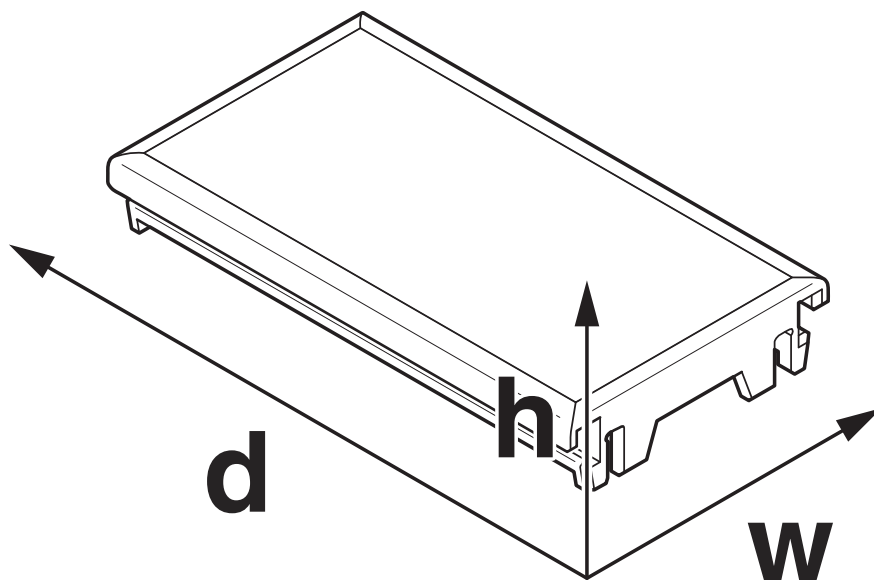


1079495

<https://www.phoenixcontact.com/us/products/1079495>

Drawings

Dimensional drawing



Schematic figure for illustrating the item dimensions. The figure is not of the desired product. For further details, refer to the product drawings in the "Downloads" tab.

ICS25-F22V-7035 - Connection plate



1079495

<https://www.phoenixcontact.com/us/products/1079495>

Approvals

To download certificates, visit the product detail page: <https://www.phoenixcontact.com/us/products/1079495>



UL Recognized

Approval ID: E240868

ICS25-F22V-7035 - Connection plate



1079495

<https://www.phoenixcontact.com/us/products/1079495>

Classifications

ECLASS

| | |
|-------------|----------|
| ECLASS-11.0 | 27182702 |
| ECLASS-13.0 | 27190605 |

ETIM

| | |
|----------|----------|
| ETIM 9.0 | EC002779 |
|----------|----------|

UNSPSC

| | |
|-------------|----------|
| UNSPSC 21.0 | 31261500 |
|-------------|----------|

ICS25-F22V-7035 - Connection plate



1079495

<https://www.phoenixcontact.com/us/products/1079495>

Environmental product compliance

EU RoHS

| | |
|---|--------------------|
| Fulfills EU RoHS substance requirements | Yes, No exemptions |
|---|--------------------|

China RoHS

| | |
|--|--|
| Environment friendly use period (EFUP) | EFUP-E |
| | No hazardous substances above the limits |

EU REACH SVHC

| | |
|-------------------------------------|----------------------------|
| REACH candidate substance (CAS No.) | No substance above 0.1 wt% |
|-------------------------------------|----------------------------|

Phoenix Contact 2024 © - all rights reserved
<https://www.phoenixcontact.com>

Phoenix Contact USA
586 Fulling Mill Road
Middletown, PA 17057, United States
(+717) 944-1300
info@phoenixcon.com