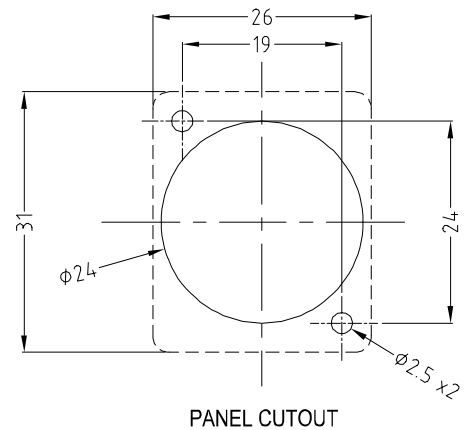


CLIFF

FEEDTHROUGH CONNECTORS FT Series

The FT Series of true feed through connectors are perfect for developing custom I/O configurations for wall-plates, rack panels, etc. ALL fit within a standard XLR panel cutout, and use common cabling for front and back connections. No soldering, no punch terminations, just use the standard cable for that particular connector style. Mount from the front or back, low rear profile accommodates the tightest “behind the panel” spaces. Available in a wide variety of styles. There are 3 frame types: Plastic, Nickel plated Metal and Matt Black Metal.



Part No.
CP30200G
CP30200GX

Description
HDMI A Female to HDMI A, Gold Plated, Plastic Frame, CSK hole.
HDMI A Female to HDMI A, Gold Plated, Plastic Frame, Plain hole.



Part No.
CP30205N
CP30205NX
CP30205NM
CP30205NMB

Description
USB 3.0 A to USB 3.0 A, Plastic Frame, CSK hole.
USB 3.0 A to USB 3.0 A, Plastic Frame, Plain hole.
USB 3.0 A to USB 3.0 A, Nickel Plated Frame, CSK hole.
USB 3.0 A to USB 3.0 A, Matt Black Frame, CSK hole.



Part No.
CP30206N
CP30206NX
CP30206NM
CP30206NMB

Description
USB 3.0 B to USB 3.0 A, Plastic Frame, CSK hole.
USB 3.0 B to USB 3.0 A, Plastic Frame Plain hole.
USB 3.0 B to USB 3.0 A, Nickel Plated Frame, CSK hole.
USB 3.0 B to USB 3.0 A, Matt Black Frame, CSK hole.



Part No.
CP30207N
CP30207NX
CP30207NM
CP30207NMB

Description
USB 2.0 B to USB 2.0 A, Plastic Frame, CSK hole.
USB 2.0 B to USB 2.0 A, Plastic Frame, Plain hole.
USB 2.0 B to USB 2.0 A, Nickel Plated Frame, CSK hole.
USB 2.0 B to USB 2.0 A, Matt Black Frame, CSK hole.



Part No.
CP30208N USB 2.0 A to USB 2.0 A, Plastic Frame, CSK hole.
CP30208NX USB 2.0 A to USB 2.0 A, Plastic Frame, Plain hole
CP30208NM USB 2.0 A to USB 2.0 A, Nickel Plated Frame, CSK hole.
CP30208NMB USB 2.0 A to USB 2.0 A, Matt Black Frame, CSK hole.



Part No.
CP30209N USB 2.0 A to USB 2.0 B, Plastic Frame, CSK hole.
CP30209NX USB 2.0 A to USB 2.0 B, Plastic Frame, Plain hole
CP30209NM USB 2.0 A to USB 2.0 B, Nickel Plated Frame, CSK hole.
CP30209NMB USB 2.0 A to USB 2.0 B, Matt Black Frame, CSK hole.



Part No.
CP30213 LC Duplex SM adaptor, Plastic Frame, CSK hole
CP30213X LC Duplex SM adaptor, Plastic Frame, Plain hole
CP30213M LC Duplex SM adaptor, Nickel Plated Frame, CSK hole
CP30213MB LC Duplex SM adaptor, Matt Black Frame, CSK hole



Part No.
CP30214 LC Duplex MM, Plastic Frame, CSK hole
CP30214X LC Duplex MM, Plastic Frame, Plain hole
CP30214M LC Duplex MM, Nickel Plated Frame, CSK hole
CP30214MB LC Duplex MM, Matt Black Frame, CSK hole



Part No.
CP30215 SC Simplex SM, Plastic Frame, CSK hole
CP30215X SC Simplex SM, Plastic Frame, Plain hole
CP30215M SC Simplex SM, Nickel Plated Frame, CSK hole
CP30215MB SC Simplex SM, Matt Black Frame, CSK hole



Part No.
CP30216 SC Simplex MM, Plastic Frame, CSK hole
CP30216X SC Simplex MM, Plastic Frame, Plain hole
CP30216M SC Simplex MM, Nickel Plated Frame, CSK hole
CP30216MB SC Simplex MM, Matt Black Frame, CSK hole



Part No.
CP30217 Toslink, Plastic Frame, CSK hole
CP30217X Toslink, Plastic Frame, Plain hole
CP30217M Toslink, Nickel Plated Frame, CSK hole
CP30217MB Toslink, Matt Black Frame, CSK hole



Part No.
CP30220 UTP Cat5e RJ45-RJ45, Plastic Frame, CSK hole
CP30220X UTP Cat5e RJ45-RJ45, Plastic Frame, Plain hole
CP30220M UTP Cat5e RJ45-RJ45, Nickel Plated Frame, CSK hole
CP30220MB UTP Cat5e RJ45-RJ45, Matt Black Frame, CSK hole

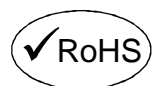
Cliff Electronic Components Limited

76 Holmethorpe Avenue, Holmethorpe Ind. Estate,
 Redhill, Surrey RH1 2PF U.K.

Tel: +44 (0)1737 771375 Fax: +44 (0)1737 766012



Visit us online at:



www.cliffuk.co.uk



Part No.
CP30220S
CP30220SX
CP30220SM
CP30220SMB

Description
 FTP Cat5e RJ45-RJ45, Shielded, Plastic Frame, CSK hole
 FTP Cat5e RJ45-RJ45, Shielded, Plastic Frame, Plain hole
 FTP Cat5e RJ45-RJ45, Shielded, Nickel Plated Frame, CSK hole
 FTP Cat5e RJ45-RJ45, Shielded, Matt Black Frame, CSK hole



Part No.
CP30222
CP30222X
CP30222M
CP30222MB

Description
 UTP Cat6 RJ45-RJ45, Plastic Frame, CSK hole
 UTP Cat6 RJ45-RJ45, Plastic Frame, Plain hole
 UTP Cat6 RJ45-RJ45, Nickel Plated Frame, CSK hole
 UTP Cat6 RJ45-RJ45, Matt Black Frame, CSK hole



Part No.
CP30222S
CP30222SX
CP30222SM
CP30222SMB

Description
 FTP Cat6 RJ45-RJ45, Shielded, Plastic Frame, CSK hole
 FTP Cat6 RJ45-RJ45, Shielded, Plastic Frame, Plain hole
 FTP Cat6 RJ45-RJ45, Shielded, Nickel Plated Frame, CSK hole
 FTP Cat6 RJ45-RJ45, Shielded, Matt Black Frame, CSK hole



Part No.
CP30230
CP30230X
CP30230M
CP30230MB

Description
 RCA Phono RED, Plastic Frame, CSK hole
 RCA Phono RED, Plastic Frame, Plain hole
 RCA Phono RED, Nickel Plated Frame, CSK hole
 RCA Phono RED, Matt Black Frame, CSK hole



Part No.
CP30231
CP30231X
CP30231M
CP30231MB

Description
 RCA Phono WHITE, Plastic Frame, CSK hole
 RCA Phono WHITE, Plastic Frame, Plain hole
 RCA Phono WHITE, Nickel Plated Frame, CSK hole
 RCA Phono WHITE, Matt Black Frame, CSK hole



Part No.
CP30232
CP30232X
CP30232M
CP30232MB

Description
 RCA Phono YELLOW, Plastic Frame, CSK hole
 RCA Phono YELLOW, Plastic Frame, Plain hole
 RCA Phono YELLOW, Nickel Plated Frame, CSK hole
 RCA Phono YELLOW, Matt Black Frame, CSK hole

Other colours available on request.



Part No.
CP30240
CP30240X

Description
 2 Wire Terminal, Plastic Frame, CSK hole
 2 Wire Terminal, Plastic Frame, Plain hole
 Low voltage use only. Max rating 25VAC, 60VDC, 10A.



Part No.
CP30241
CP30241X
CP30241M
CP30241MB

Description
 Blanking Plate, Plastic Frame, CSK hole
 Blanking Plate, Plastic Frame, Plain hole
 Blanking Plate, Nickel Plated Frame, CSK hole
 Blanking Plate, Matt Black Frame, CSK hole

For further information, contact sales@cliffuk.co.uk

Cliff Electronic Components Limited

76 Holmethorpe Avenue, Holmethorpe Ind. Estate,
 Redhill, Surrey RH1 2PF U.K.

Tel: +44 (0)1737 771375 Fax: +44 (0)1737 766012



Visit us online at:

www.cliffuk.co.uk