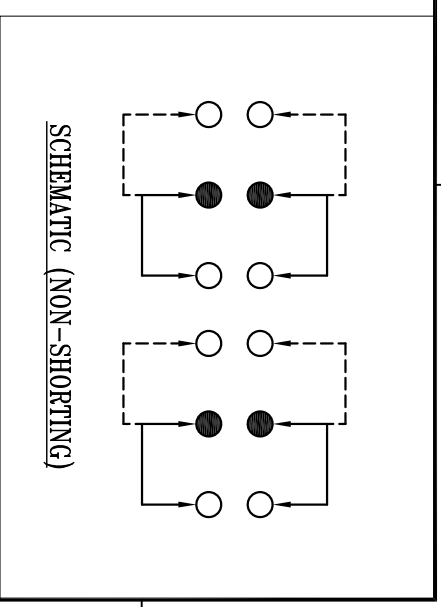


P.C.B LAYOUT  
TOP VIEW



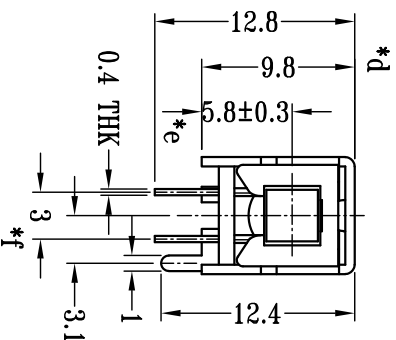
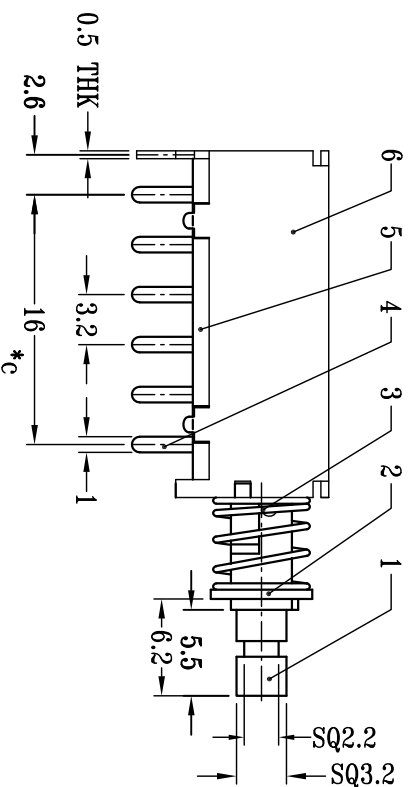
PS-42F43XX

PUSH SWITCH

G-Switch P/N

N=NO LOCK  
L=LOCK

A=黑色  
B=红色  
C=蓝色  
D=其它



**G-Switch Specification:**  
 Electrical Specifications: 0.5A 30VDC  
 Contact Resistance :  $\leq 100m\Omega$   
 Insulation Resistance:  $\geq 100M\Omega$  DC125V  
 Withstand Voltage: AC125V 1 minute  
 Operating Temperature: -25°C~+65°C  
 Storage Humidity:  $\leq 85\%RH$   
 Electrical Life: 10,000  
 Mechanical Life: 100,000



**G-Switch Electronic (HongKong) CO., Ltd.**

Molded code:

PS-42F43

DESIGN	Bright Lee	DATE	2016.05.29
CHECKED		DATE	
APPROVED		DATE	
http://www.dg-switch.com		REV:	X1
TEL:0769-82388879		SCALE:	4:1
		SHEET:	1/1
		UNIT:	mm



Unless otherwise specified, Tolerance:  
 X  $\pm 0.30$   
 X.X  $\pm 0.20$   
 X.XX  $\pm 0.15$   
 X.XXX  $\pm 0.10$   
 Angles  $\pm 3$