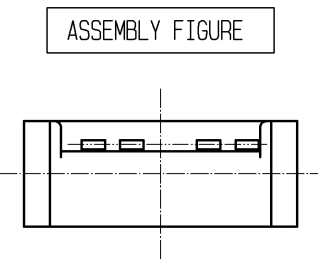
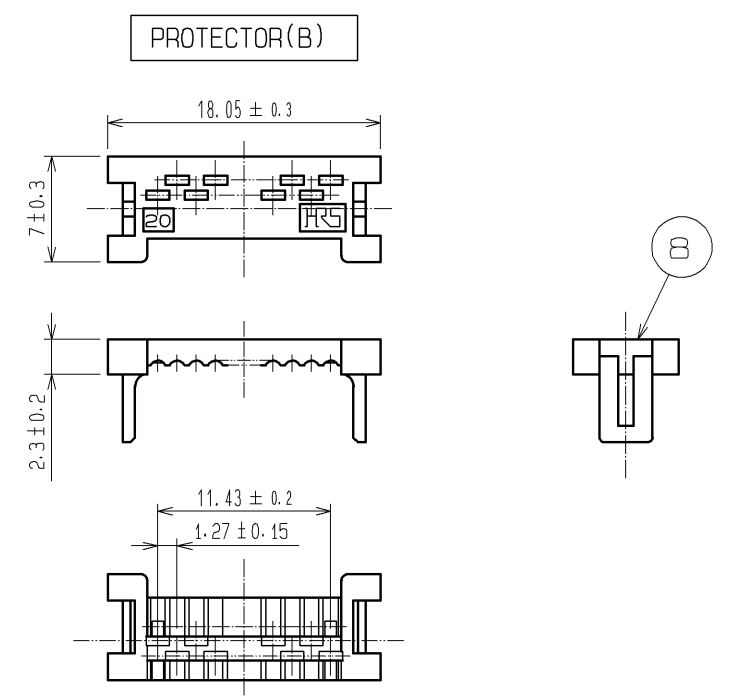
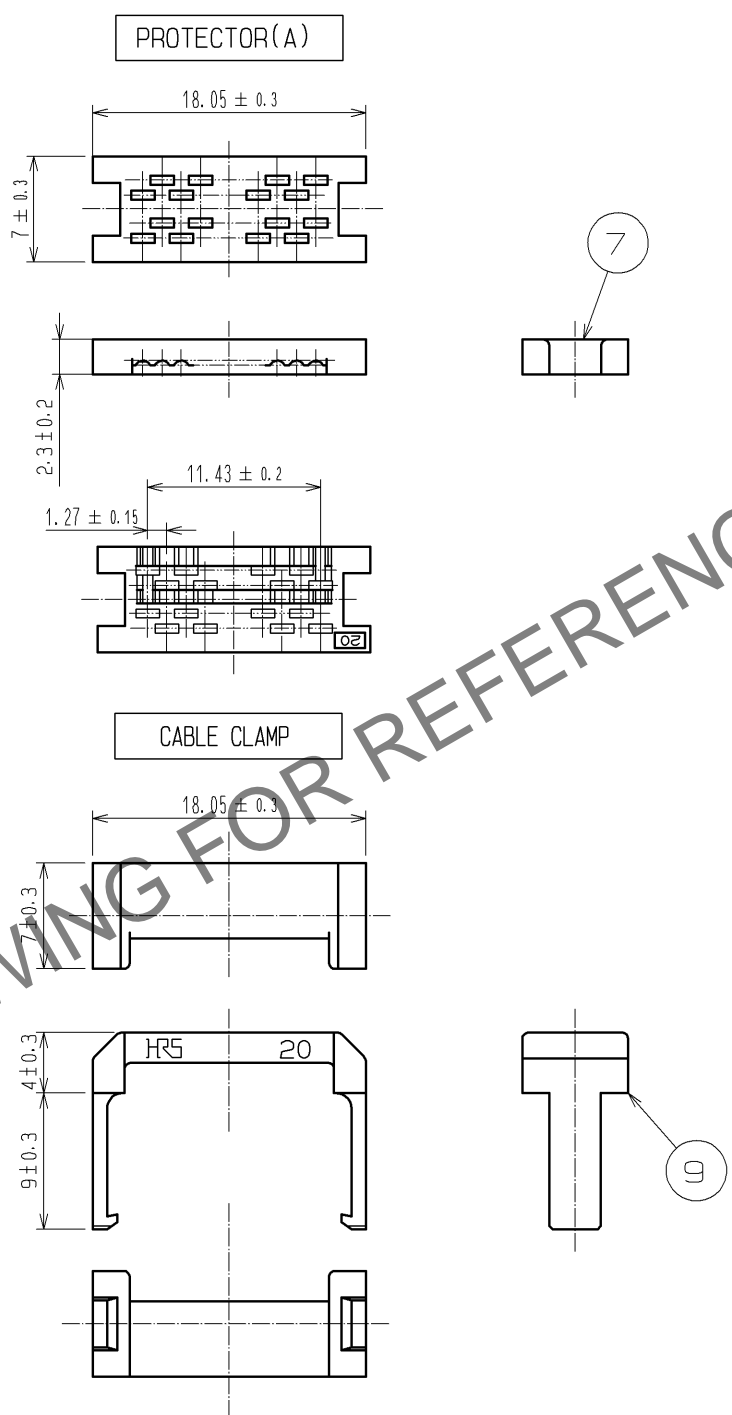
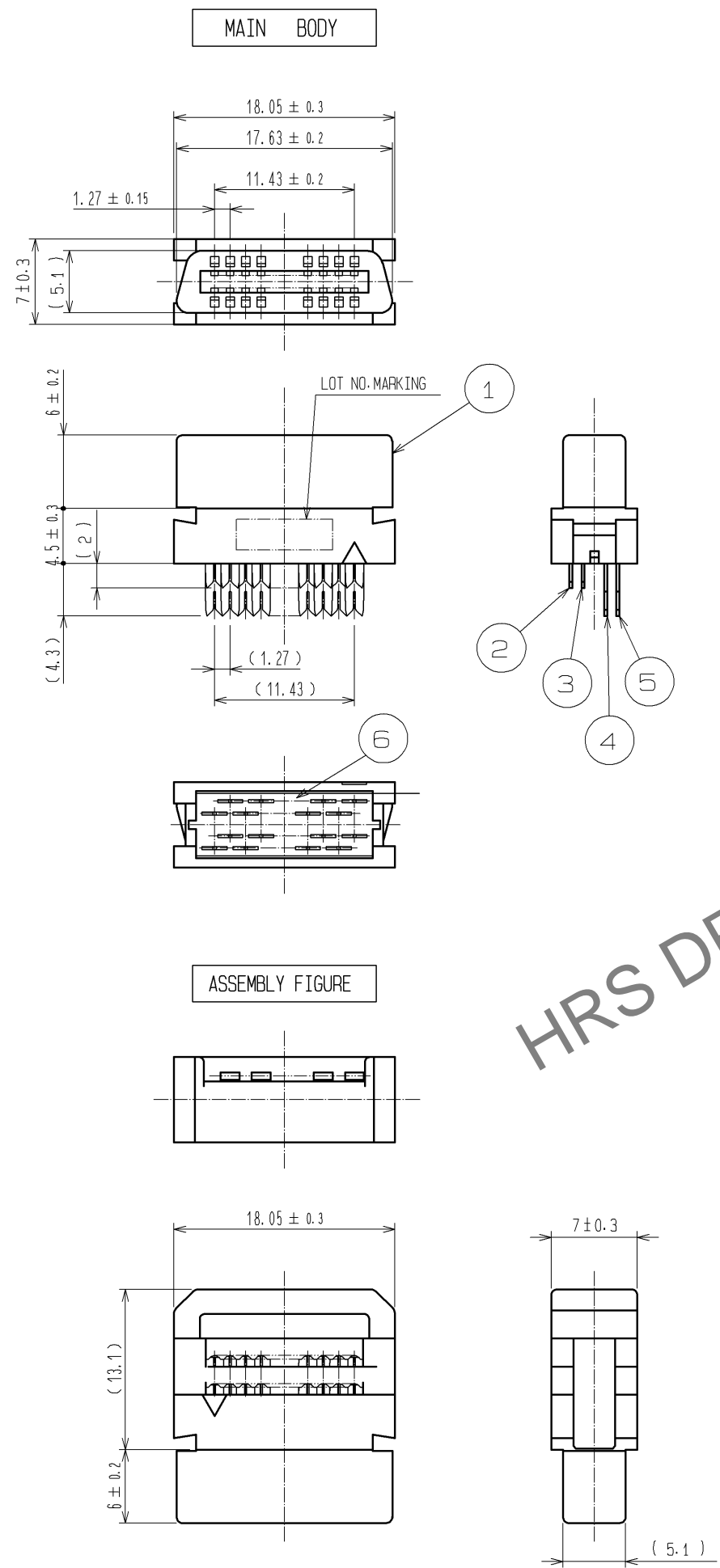


Jun.1.2024 Copyright 2024 HIROSE ELECTRIC CO., LTD. All Rights Reserved.
 In case of consideration for using Automotive equipment / device which demand high reliability, kindly contact our sales window correspondents.



HRS DRAWING FOR REFERENCE

NOTE 1 COMPONENTS OF REF. NO. 7~9 ARE APPENDED PRODUCTS.
 2 THE DIMENSIONS IN PARENTHESES ARE FOR REFERENCE.

2~5	PHOSPHOR BRONZE	CONTACT AREA: GOLD FLASH	9	POLYAMIDE	BLACK UL94V-0		
1	PBT	UNDER PLATING: NICKEL 1μm min.	6~8	PBT	BLACK UL94V-0		
NO.	MATERIAL	FINISH, REMARKS	NO.	MATERIAL	FINISH, REMARKS		
UNITS mm		SCALE 2 : 1	COUNT 	DESCRIPTION OF REVISIONS	DESIGNED	CHECKED	DATE
HRS HIROSE ELECTRIC CO., LTD.		APPROVED : HS. OKAWA	08.07.01	DRAWING NO.	EDC3-150658-00		
		CHECED : HT. YAMAGUCHI	08.07.01	PART NO.	FX2BA-20SA-1.27R		
		DESIGNED : KN. SHIBUYA	08.07.01	CODE NO.	CL572-0671-0-00		
		DRAWN : AH. EDASHIGE	08.06.16		1/1		