

# MACX MCR-EX-T-UI-UP - Temperature measuring transducer



2865654

<https://www.phoenixcontact.com/us/products/2865654>

Please be informed that the data shown in this PDF document is generated from our online catalog. Please find the complete data in the user documentation. Our general terms of use for downloads are valid.



Freely programmable Ex-i temperature transducer with analog output and 1 limit value relay, standard configuration, resistance thermometer in 2-, 3-, or 4-conductor technology, thermocouples, electrical isolation, wide-range power supply, screw connection, SIL, PL.

## Your advantages

- Input for resistance thermometers, thermocouples, resistance-type sensors, potentiometers, and mV sources, [Ex ia] IIC
- Programming during operation with Ex measuring circuit connected and also voltage-free using IFS-USB-PROG-ADAPTER programming adapter
- Cold junction compensation with separate plug
- Configuration via software (FDT/DTM) or IFS-OP-UNIT operator interface and display unit
- Installation in zone 2, protection type "n" (EN 60079-15) permitted
- Up to SIL 2 in accordance with EN 61508
- Status indicator for supply voltage, cable, sensor, and module errors
- Plug-in screw or spring-cage connection technology (Push-in technology)
- Wide-range power supply of 19.2 ... 253 V AC/DC
- Measure differential temperatures
- Inverse output signal ranges as an option
- Relay switching output
- Freely programmable input and output

## Commercial data

Item number	2865654
Packing unit	1 pc
Minimum order quantity	1 pc
Sales key	C430
Product key	CK3121
Catalog page	Page 150 (C-5-2019)
GTIN	4046356296670
Weight per piece (including packing)	272.6 g
Weight per piece (excluding packing)	264.1 g
Customs tariff number	85437090
Country of origin	DE

# MACX MCR-EX-T-UI-UP - Temperature measuring transducer



2865654

<https://www.phoenixcontact.com/us/products/2865654>

## Technical data

### Notes

#### Utilization restriction

EMC note	EMC: class A product, see manufacturer's declaration in the download area
----------	---

### Product properties

Product type	Temperature transmitter
Product family	MACX Analog
Type	Ex i signal conditioners with SIL and PL Functional Safety
Configuration	DIP switches Software

#### Insulation characteristics

Overvoltage category	II
Pollution degree	2

### Electrical properties

Electrical isolation	4-way isolation
Step response (0–99%)	≤ 1.75 s (SIL on)
	1.3 s (SIL off)
Maximum temperature coefficient	0.01 %/K
Maximum transmission error	0.1 % (E.g., at Pt 100, 300 K min. span)

#### Electrical isolation Input/output/power supply

Test voltage	2.5 kV AC (50 Hz, 60 s)
--------------	-------------------------

#### Electrical isolation Input/output

Electrical isolation	375 V (Peak value in accordance with IEC/EN 60079-11)
----------------------	---

#### Electrical isolation Input/power supply

Electrical isolation	375 V (Peak value in accordance with IEC/EN 60079-11)
----------------------	---

#### Electrical isolation Input/switching output

Electrical isolation	375 V (Peak value in accordance with IEC/EN 60079-11)
----------------------	---

#### Electrical isolation Output/supply

Rated insulation voltage	300 V <sub>rms</sub>
Insulation	Safe isolation in accordance with IEC/EN 61010-1

### Supply

Nominal supply voltage range	24 V AC/DC ... 230 V AC/DC (50/60 Hz)
Supply voltage range	19.2 V AC/DC ... 253 V AC/DC (24 V AC/DC ... 230 V AC/DC (-20 % ... +10 %, 50/60 Hz))
Typical current consumption	< 50 mA (24 V DC)
Power consumption	< 1.5 W

# MACX MCR-EX-T-UI-UP - Temperature measuring transducer



2865654

<https://www.phoenixcontact.com/us/products/2865654>

## Input data

### Signal

Number of inputs	1
Input signal	Temperature
	Resistor
	Voltage

### Measurement

Sensor types (RTD) that can be used	Pt, Ni, Cu sensors: 2, 3, 4-wire
Sensor types that can be used (TC)	B, E, J, K, N, R, S, T, L, U, CA, DA, A1G, A2G, A3G, MG, LG
Temperature measuring range	-250 °C ... 2500 °C (Range depending on the sensor type)
Linear resistance measuring range	0 Ω ... 50 kΩ
Potentiometer resistance range	0 Ω ... 50 kΩ
Linear mV signal range	-1000 mV ... 1000 mV

## Output data

### Switching: Relay

Configurable/programmable	Yes
Contact switching type	1 changeover contact
Contact material	AgSnO <sub>2</sub> , hard gold-plated
Maximum switching voltage	30 V AC (30 V DC)
Max. switching current	0.5 A (30 V AC)
	1 A (30 V DC)

### Signal: Voltage/current

Number of outputs	1
Configurable/programmable	Yes
Max. voltage output signal	± 11 V
Current output signal	4 mA ... 20 mA (in the case of SIL; further free configuration without SIL)
Max. current output signal	22 mA
Load/output load voltage output	≥ 10 kΩ
Load/output load current output	≤ 600 Ω (20 mA)
Behavior in the event of a sensor error	according to NE 43 or freely configurable

## Connection data

Connection method	Screw connection
Stripping length	7 mm
Screw thread	M3
Conductor cross section rigid	0.2 mm <sup>2</sup> ... 2.5 mm <sup>2</sup>
Conductor cross section flexible	0.2 mm <sup>2</sup> ... 2.5 mm <sup>2</sup>
Conductor cross section AWG	24 ... 14
Tightening torque	0.5 Nm ... 0.6 Nm

# MACX MCR-EX-T-UI-UP - Temperature measuring transducer



2865654

<https://www.phoenixcontact.com/us/products/2865654>

## Test socket

Max. diameter	2 mm
---------------	------

## Ex data

Ex installation (EPL)	Gc
	Div. 2
Ex i circuits (EPL)	Ga
	Da
	Ma
	Div. 1

## Safety data

Max. internal inductance $L_i$	negligible
Max. internal capacitance $C_i$	44 nF
Max. output voltage $U_o$	6 V DC
Max. output current $I_o$	7 mA (RTD in 2-conductor technology)
	13 mA (RTD in 3-conductor technology)
	16 mA (RTD in 4-conductor technology)
	13 mA (TC with internal cold junction compensation)
	10 mA (TC with external cold junction compensation)
	5 mA (mV)
	13 mA (Potentiometer)
Max. output power $P_o$	11 mW (RTD in 2-conductor technology)
	20 mW (RTD in 3-conductor technology)
	24 mW (RTD in 4-conductor technology)
	20 mW (TC with internal cold junction compensation)
	15 mW (TC with external cold junction compensation)
	7.5 mW (mV)
	20 mW (Potentiometer)
Safety-related maximum voltage $U_m$	253 V AC (Terminals 1.1, 1.2)
	125 V DC (Terminals 1.1, 1.2)
	250 V AC (Terminals 3.1, 3.2)
	120 V DC (Terminals 3.1, 3.2)
	30 V (Installation in zone 2)
IIC (mixed circuit): Max. external inductivity $L_o$ / Max. external capacitance $C_o$	100 mH / 600 nF
IIB/IIA/IIIC (mixed circuit): Max. external inductivity $L_o$ / Max. external capacitance $C_o$	100 mH / 1 $\mu$ F

## Signaling

Status display	Green LED (supply voltage)
	Red LED, flashing (line, sensor error, ERR)
	Red LED (module error, ERR)
	Yellow LED (switching output)

# MACX MCR-EX-T-UI-UP - Temperature measuring transducer



2865654

<https://www.phoenixcontact.com/us/products/2865654>

## Dimensions

Dimensional drawing	
Width	17.5 mm
Height	112.5 mm
Depth	113.7 mm
Depth NS 35/7,5	114.5 mm (Snapped onto DIN rail NS 35/7,5 in accordance with EN 60715)

## Material specifications

Color	gray (RAL 7042)
Flammability rating according to UL 94	V0 (Housing)
Housing material	PA 6.6-FR

## Environmental and real-life conditions

### Ambient conditions

Degree of protection	IP20 (not assessed by UL)
Ambient temperature (operation)	-20 °C ... 65 °C
Ambient temperature (storage/transport)	-40 °C ... 85 °C
Permissible humidity (operation)	typ. 5 % ... 95 % (non-condensing)
Shock (operation)	15g (IEC 60068-2-27)
Vibration (operation)	5g (IEC 60068-2-6)

### Altitude range (≤ 2000 m)

Altitude	≤ 2000 m (The technical data refers to altitudes ≤2000 m above mean sea level. For altitudes >2000 m above mean sea level, refer to the data sheet.)
----------	--

### Altitude range (≤ 3000 m)

Height range	> 2000 m ... 3000 m
Ambient temperature (operation)	-20 °C ... 55 °C
Safety-related maximum voltage $U_m$	190 V AC (Terminals 1.1, 1.2)
	110 V DC (Terminals 1.1, 1.2)
	190 V AC (Terminals 3.1, 3.2)
	110 V DC (Terminals 3.1, 3.2)
	30 V (Installation in zone 2)

### Altitude range (≤ 4000 m)

Height range	> 3000 m ... 4000 m
Ambient temperature (operation)	-20 °C ... 50 °C

# MACX MCR-EX-T-UI-UP - Temperature measuring transducer



2865654

<https://www.phoenixcontact.com/us/products/2865654>

Safety-related maximum voltage $U_m$	60 V AC/DC (Terminals 1.1, 1.2)
	60 V AC/DC (Terminals 3.1, 3.2)
	30 V (Installation in zone 2)
Altitude range ( $\leq 5000$ m)	
Height range	> 4000 m ... 5000 m
Ambient temperature (operation)	-20 °C ... 45 °C
Safety-related maximum voltage $U_m$	60 V AC/DC (Terminals 1.1, 1.2)
	60 V AC/DC (Terminals 3.1, 3.2)
	30 V (Installation in zone 2)

## Approvals

### CE

Certificate	CE-compliant
-------------	--------------

### ATEX

Identification	⊕ II (1) G [Ex ia Ga] IIC
	⊕ II (1) D [Ex ia Da] IIIC
	⊕ II 3 G Ex ec ic nC [ia Ga] IIC T4 Gc
	⊕ I (M1) [Ex ia Ma] I
Certificate	IBExU 10 ATEX 1044

### UKCA Ex (UKEX)

Identification	⊕ I (M1) [Ex ia Ma] I
	⊕ II (1) G [Ex ia Ga] IIC
	⊕ II (1) D [Ex ia Da] IIIC
	⊕ II 3 (1) G Ex ec ic nC [ia Ga] IIC T4 Gc
Certificate	CML 22UKEX3529X

### IECEX

Identification	[Ex ia Ga] IIC
	[Ex ia Da] IIIC
	Ex ec ic nC [ia Ga] IIC T4 Gc
	[Ex ia Ma] I
Certificate	IECEX IBE 10.0004 X

### UL, USA/Canada

Identification	UL 508 Listed
Certificate	Ⓢ.Ⓢ. C.D.-No 83104549

### KC-s

Identification	[Ex ia] IIC/IIB
Certificate	17-KA4BO-0411X

### Shipbuilding approval

Certificate	DNV GL TAA000020C
-------------	-------------------

# MACX MCR-EX-T-UI-UP - Temperature measuring transducer



2865654

<https://www.phoenixcontact.com/us/products/2865654>

## Safety Integrity Level (SIL, IEC 61508)

Identification	2
Certificate	SEBS-A.150520/17, V2.0

## Performance Level (ISO 13849)

Identification	d
----------------	---

## INMETRO

Identification	[Ex ia Ga] IIC
	[Ex ia Da] IIIC
	Ex ec ic nC [ia Ga] IIC T4 Gc
	[Ex ia Ma] I
Certificate	DNV 18.0143 X

## DNV GL data

Temperature	B
Humidity	B
Vibration	A
EMC	A
Enclosure	Required protection according to the Rules shall be provided upon installation on board

## EMC data

Noise immunity	EN 61000-6-2
Note	When being exposed to interference, there may be minimal deviations.
Electromagnetic compatibility	Conformance with EMC directive
Noise emission	EN 61000-6-4

## Electromagnetic HF field

Designation	Electromagnetic RF field
Standards/regulations	EN 61000-4-3
Typical deviation from the measuring range final value	2 %

## Fast transients (burst)

Designation	Fast transients (burst)
Standards/regulations	EN 61000-4-4
Typical deviation from the measuring range final value	2 %

## Conducted interference

Designation	Conducted interferences
Standards/regulations	EN 61000-4-6
Typical deviation from the measuring range final value	2 %

## Standards and regulations

Electrical isolation	4-way isolation
----------------------	-----------------

# MACX MCR-EX-T-UI-UP - Temperature measuring transducer



2865654

<https://www.phoenixcontact.com/us/products/2865654>

## Mounting

Mounting type

DIN rail mounting



# MACX MCR-EX-T-UI-UP - Temperature measuring transducer

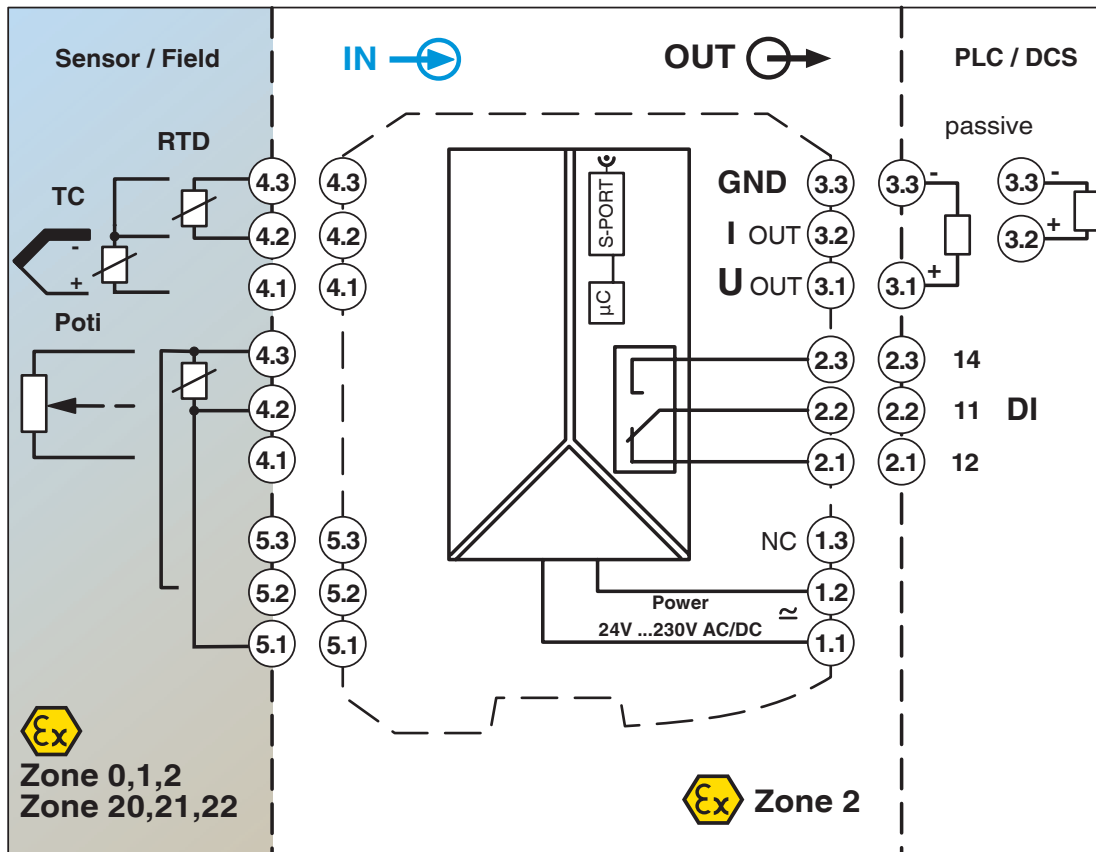


2865654

<https://www.phoenixcontact.com/us/products/2865654>

## Drawings

Block diagram



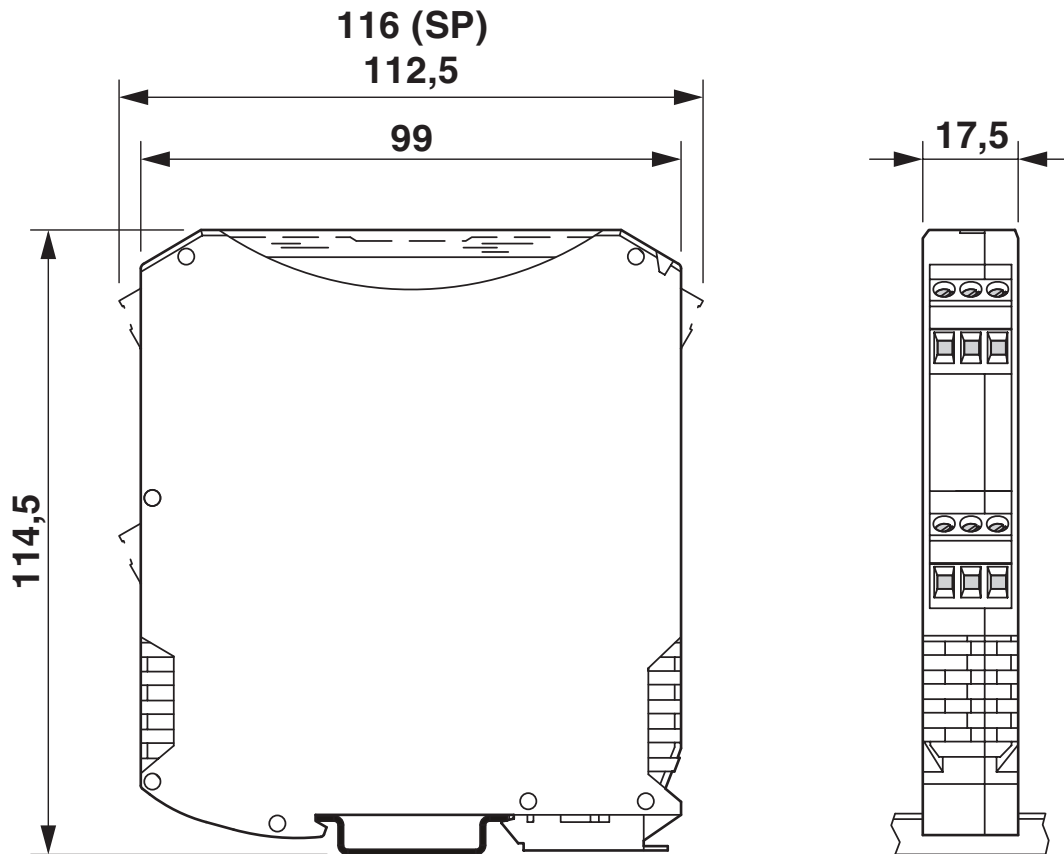
# MACX MCR-EX-T-UI-UP - Temperature measuring transducer



2865654

<https://www.phoenixcontact.com/us/products/2865654>

Dimensional drawing



# MACX MCR-EX-T-UI-UP - Temperature measuring transducer



2865654

<https://www.phoenixcontact.com/us/products/2865654>

## Approvals

To download certificates, visit the product detail page: <https://www.phoenixcontact.com/us/products/2865654>



**DNV GL**

Approval ID: TAA000020C



**UL Listed**

Approval ID: FILE E 238705



**cUL Listed**

Approval ID: FILE E 238705



**Functional Safety**

Approval ID: SEBS-A.150520/17 V1

**Functional Safety**

Approval ID: 09/11-04 R013 V1R0

**Functional Safety**

Approval ID: 100134C P0019 C001



**EAC Ex**

Approval ID: RU C-DE.AB72.B.00093



**IECEx**

Approval ID: IECEx IBE 10.0004X



**cUL Listed**

Approval ID: FILE E 199827



**UL Listed**

Approval ID: FILE E 199827



**ATEX**

Approval ID: IBExU 10 ATEX 1044

# MACX MCR-EX-T-UI-UP - Temperature measuring transducer



2865654

<https://www.phoenixcontact.com/us/products/2865654>

## INMETRO

Approval ID: DNV 18.0143 X



## KC-s

Approval ID: 17-KA4BO-0411X

cULus Listed

cULus Listed

# MACX MCR-EX-T-UI-UP - Temperature measuring transducer



2865654

<https://www.phoenixcontact.com/us/products/2865654>

## Classifications

### ECLASS

ECLASS-11.0	27210129
ECLASS-12.0	27210129
ECLASS-13.0	27210129

### ETIM

ETIM 9.0	EC002919
----------	----------

### UNSPSC

UNSPSC 21.0	41112100
-------------	----------

# MACX MCR-EX-T-UI-UP - Temperature measuring transducer



2865654

<https://www.phoenixcontact.com/us/products/2865654>

## Environmental product compliance

### EU RoHS

Fulfills EU RoHS substance requirements	Yes
Exemption	7(a), 7(c)-I

### China RoHS

Environment friendly use period (EFUP)	EFUP-50
	An article-related China RoHS declaration table can be found in the download area for the respective article under "Manufacturer declaration". For all articles with EFUP-E, no China RoHS declaration table issued and required.

### EU REACH SVHC

REACH candidate substance (CAS No.)	Lead(CAS: 7439-92-1)
SCIP	38abe268-e596-4328-9202-4f127a6029b6

# MACX MCR-EX-T-UI-UP - Temperature measuring transducer



2865654

<https://www.phoenixcontact.com/us/products/2865654>

## Accessories

### EA-MSTB 2,5/ 5 - Accessories

1831016

<https://www.phoenixcontact.com/us/products/1831016>

Cover for screw shafts of the MSTB connector ranges with a pitch of 5.0 mm and 5.08 mm. These can be aligned and shortened for use with different numbers of positions.



---

### IFS-USB-PROG-ADAPTER - Programming adapter

2811271

<https://www.phoenixcontact.com/us/products/2811271>

Programming adapter with USB interface, for programming with software. The USB driver is included in the software solutions for the products to be programmed, such as measuring transducers or motor managers.



# MACX MCR-EX-T-UI-UP - Temperature measuring transducer

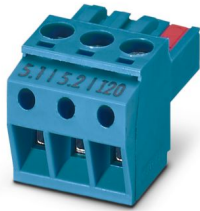
2865654

<https://www.phoenixcontact.com/us/products/2865654>

## MACX MCR-EX-I20 - Plug

2905679

<https://www.phoenixcontact.com/us/products/2905679>



Connection terminal block for current signals +20 mA ...-20 mA for safe switching of limit values, in combination with MACX...EX-T-UI... temperature transducers.

---

## MACX MCR-EX-CJC - Plug

2925002

<https://www.phoenixcontact.com/us/products/2925002>



Plug for cold junction compensation for thermocouples, for safe switching of limit values, in combination with MACX ...EX-T-UI... temperature transducers.



# MACX MCR-EX-T-UI-UP - Temperature measuring transducer



2865654

<https://www.phoenixcontact.com/us/products/2865654>

## IFS-BT-PROG-ADAPTER - Adapter

2905872

<https://www.phoenixcontact.com/us/products/2905872>

Bluetooth adapter with micro USB and S-PORT interface for wireless communication with the MINI Analog, MINI Analog Pro, MACX Analog, Interface System Gateways, and PLC logic device series.



---

## MPS-IH WH - Insulating sleeve

0201663

<https://www.phoenixcontact.com/us/products/0201663>

Insulating sleeve, color: white



# MACX MCR-EX-T-UI-UP - Temperature measuring transducer



2865654

<https://www.phoenixcontact.com/us/products/2865654>

## MPS-IH RD - Insulating sleeve

0201676

<https://www.phoenixcontact.com/us/products/0201676>

Insulating sleeve, color: red



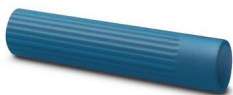
---

## MPS-IH BU - Insulating sleeve

0201689

<https://www.phoenixcontact.com/us/products/0201689>

Insulating sleeve, color: blue



# MACX MCR-EX-T-UI-UP - Temperature measuring transducer



2865654

<https://www.phoenixcontact.com/us/products/2865654>

## MPS-IH YE - Insulating sleeve

0201692

<https://www.phoenixcontact.com/us/products/0201692>

Insulating sleeve, color: yellow



---

## MPS-IH GN - Insulating sleeve

0201702

<https://www.phoenixcontact.com/us/products/0201702>

Insulating sleeve, color: green



# MACX MCR-EX-T-UI-UP - Temperature measuring transducer



2865654

<https://www.phoenixcontact.com/us/products/2865654>

## MPS-IH GY - Insulating sleeve

0201728

<https://www.phoenixcontact.com/us/products/0201728>

Insulating sleeve, color: gray



---

## MPS-IH BK - Insulating sleeve

0201731

<https://www.phoenixcontact.com/us/products/0201731>

Insulating sleeve, color: black



# MACX MCR-EX-T-UI-UP - Temperature measuring transducer



2865654

<https://www.phoenixcontact.com/us/products/2865654>

## MPS-MT - Test plug

0201744

<https://www.phoenixcontact.com/us/products/0201744>



Test plug, with solder connection up to 1 mm<sup>2</sup> conductor cross section, number of positions: 1, color: gray

---

## UC-EMLP (11X9) - Plastic label

0819291

<https://www.phoenixcontact.com/us/products/0819291>



Plastic label, Sheet, white, unlabeled, can be labeled with: BLUEMARK ID COLOR, BLUEMARK ID, BLUEMARK CLED, PLOTMARK, CMS-P1-PLOTTER, mounting type: adhesive, lettering field size: 11 x 9 mm, Number of individual labels: 10

# MACX MCR-EX-T-UI-UP - Temperature measuring transducer



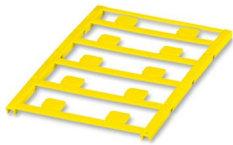
2865654

<https://www.phoenixcontact.com/us/products/2865654>

## UC-EMLP (11X9) YE - Plastic label

0822602

<https://www.phoenixcontact.com/us/products/0822602>



Plastic label, Sheet, yellow, unlabeled, can be labeled with: BLUEMARK ID COLOR, BLUEMARK ID, BLUEMARK CLED, PLOTMARK, CMS-P1-PLOTTER, mounting type: adhesive, lettering field size: 11 x 9 mm, Number of individual labels: 10

---

## UC-EMLP (11X9) CUS - Plastic label

0824547

<https://www.phoenixcontact.com/us/products/0824547>



Plastic label, can be ordered: by sheet, white, labeled according to customer specifications, mounting type: adhesive, lettering field size: 11 x 9 mm

# MACX MCR-EX-T-UI-UP - Temperature measuring transducer



2865654

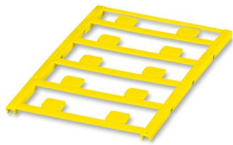
<https://www.phoenixcontact.com/us/products/2865654>

## UC-EMLP (11X9) YE CUS - Plastic label

0824548

<https://www.phoenixcontact.com/us/products/0824548>

Plastic label, can be ordered: by sheet, yellow, labeled according to customer specifications, mounting type: adhesive, lettering field size: 11 x 9 mm



---

## UC-EMLP (11X9) SR - Plastic label

0828094

<https://www.phoenixcontact.com/us/products/0828094>

Plastic label, Sheet, silver, unlabeled, can be labeled with: BLUEMARK ID COLOR, BLUEMARK ID, BLUEMARK CLED, PLOTMARK, CMS-P1-PLOTTER, mounting type: adhesive, lettering field size: 11 x 9 mm, Number of individual labels: 10



# MACX MCR-EX-T-UI-UP - Temperature measuring transducer



2865654

<https://www.phoenixcontact.com/us/products/2865654>

## UC-EMLP (11X9) SR CUS - Plastic label

0828098

<https://www.phoenixcontact.com/us/products/0828098>



Plastic label, can be ordered: by sheet, silver, labeled according to customer specifications, mounting type: adhesive, lettering field size: 11 x 9 mm, Number of individual labels: 10

---

## US-EMLP (11X9) - Plastic label

0828789

<https://www.phoenixcontact.com/us/products/0828789>



Plastic label, Card, white, unlabeled, can be labeled with: BLUEMARK ID COLOR, BLUEMARK ID, THERMOMARK PRIME, THERMOMARK CARD 2.0, THERMOMARK CARD, mounting type: adhesive, lettering field size: 11 x 9 mm, Number of individual labels: 135



# MACX MCR-EX-T-UI-UP - Temperature measuring transducer



2865654

<https://www.phoenixcontact.com/us/products/2865654>

## US-EMLP (11X9) YE - Plastic label

0828871

<https://www.phoenixcontact.com/us/products/0828871>



Plastic label, Card, yellow, unlabeled, can be labeled with: BLUEMARK ID COLOR, BLUEMARK ID, THERMOMARK PRIME, THERMOMARK CARD 2.0, THERMOMARK CARD, mounting type: adhesive, lettering field size: 11 x 9 mm, Number of individual labels: 135

---

## US-EMLP (11X9) SR - Plastic label

0828872

<https://www.phoenixcontact.com/us/products/0828872>



Plastic label, Card, silver, unlabeled, can be labeled with: BLUEMARK ID COLOR, BLUEMARK ID, THERMOMARK PRIME, THERMOMARK CARD 2.0, THERMOMARK CARD, mounting type: adhesive, lettering field size: 11 x 9 mm, Number of individual labels: 135

# MACX MCR-EX-T-UI-UP - Temperature measuring transducer



2865654

<https://www.phoenixcontact.com/us/products/2865654>

## LS-EMLP (11X9) WH - Device marker

0831678

<https://www.phoenixcontact.com/us/products/0831678>

Device marker, Sheet, white, unlabeled, can be labeled with: TOPMARK NEO, TOPMARK LASER, mounting type: adhesive, lettering field size: 11 x 9 mm, Number of individual labels: 255



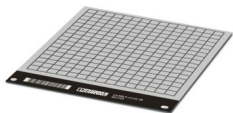
---

## LS-EMLP (11X9) SR - Device marker

0831705

<https://www.phoenixcontact.com/us/products/0831705>

Device marker, Sheet, silver, unlabeled, can be labeled with: TOPMARK NEO, TOPMARK LASER, mounting type: adhesive, lettering field size: 11 x 9 mm, Number of individual labels: 255



# MACX MCR-EX-T-UI-UP - Temperature measuring transducer



2865654

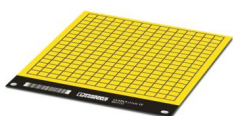
<https://www.phoenixcontact.com/us/products/2865654>

## LS-EMLP (11X9) YE - Device marker

0831732

<https://www.phoenixcontact.com/us/products/0831732>

Device marker, Sheet, yellow, unlabeled, can be labeled with: TOPMARK NEO, TOPMARK LASER, mounting type: adhesive, lettering field size: 11 x 9 mm, Number of individual labels: 255



---

## MACX MCR-PTB - Power and error message module

2865625

<https://www.phoenixcontact.com/us/products/2865625>

Power and fault signaling module with screw connection, including corresponding ME 17,5 TBUS 1,5/ 5-ST-3,81 GY DIN rail connector



# MACX MCR-EX-T-UI-UP - Temperature measuring transducer

2865654

<https://www.phoenixcontact.com/us/products/2865654>

## MACX MCR-PTB-SP - Power and error message module

2924184

<https://www.phoenixcontact.com/us/products/2924184>



Power and fault signaling module with Push-in connection, including corresponding ME 17,5 TBUS 1,5/ 5-ST-3,81 GY DIN rail connector

---

## QUINT4-SYS-PS/1AC/24DC/2.5/SC - Power supply unit

2904614

<https://www.phoenixcontact.com/us/products/2904614>



Primary-switched power supply, QUINT POWER, screw connection, DIN rail mounting, supply of devices possible via the TBUS DIN rail connector, protective coating, input: single-phase, output: 24 V DC/2.5 A

# MACX MCR-EX-T-UI-UP - Temperature measuring transducer



2865654

<https://www.phoenixcontact.com/us/products/2865654>

## SZS 0,6X3,5 - Screwdriver

1205053

<https://www.phoenixcontact.com/us/products/1205053>



Actuation tool, for ST terminal blocks, insulated, also suitable for use as a bladed screwdriver, size: 0.6 x 3.5 x 100 mm, 2-component grip, with non-slip grip

---

Phoenix Contact 2024 © - all rights reserved

<https://www.phoenixcontact.com>

Phoenix Contact USA  
586 Fulling Mill Road  
Middletown, PA 17057, United States  
(+717) 944-1300  
[info@phoenixcon.com](mailto:info@phoenixcon.com)