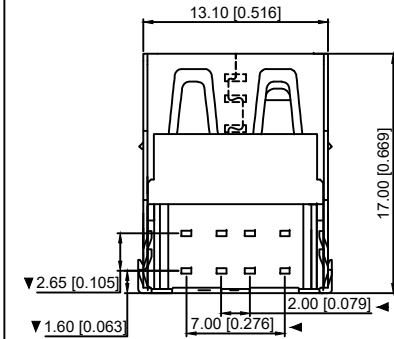
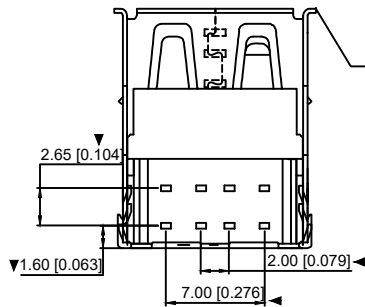
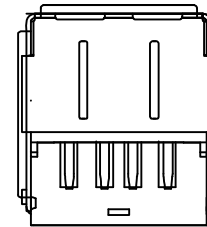
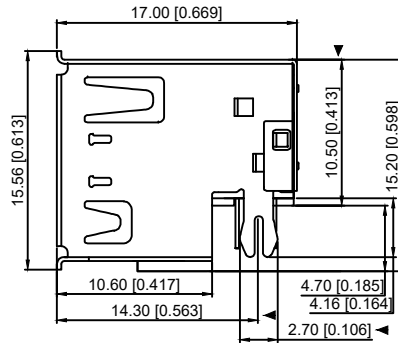
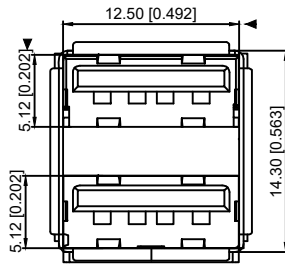


RECOMMENDED PCB LAYOUT



F:Flat



S:Scrolls

Housing Material: PBT UL94V-0, black/White

Contact Terminal: Brass

Metallic Shell: Brass/Spcc

U224-08XN-1XRZ21-X-X

- 1: Au 1U"
- 6: Au 30U"
- 1: SPCC 5: BRASS
- S: Scrolls F: Flat
- B: Black R: Red O: Orange
- G: Green W: White T: Transparent
- 1: PBT
- 2: PA6T
- 3: PA9T
- 4: LCP

					ANGLAR	±5°	DSND		DATE		SCALE: N/A	MODEL TYPE: USB 2.0	
ΔX					L ≤ 4	±0.2	DWN		DATE		VIEW:	PART NO.:	
Δx					4 < L ≤ 16	±0.3	CHKD		DATE		UNIT: mm/in	DWG NO.:	
Δx					16 < L ≤ 63	±0.4	APPD		DATE		SIZE: A4	U224-08XN-1XRZ21-X-X	
MARK	DESCRIPTION				DATE	REVISED	APPROVED			UNSPECIFIED TOLERANCES	WEIGHT	SHEET	REVISION
											1.0g	1/1	A0
www.xk-dg.cn www.helloxkb.com www.helloxkb.cn											XKB INDUSTRIAL PRECISION CO., LIMITED		