



MALE / FEMALE FASTENERS

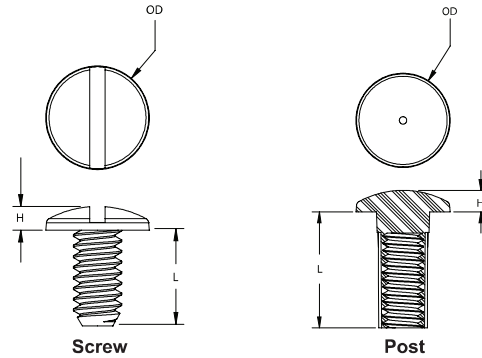
01POST/27POST
Post and Screws

Specifications:

- Material: Polycarbonate
- Color: Clear

Features:

- Strong and durable for industrial applications
- Screw and post are used together; they are sold separately

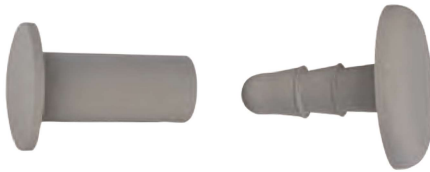


Screw

Item No.	Thread	OD		H		L		Bulk Pack Qty
		in	mm	in	mm	in	mm	
010832POST025PC	#8-32	0.355	9.0	0.093	2.4	0.250	6.4	1000
010832POST037PC	#8-32	0.406	10.3	0.093	2.4	0.375	9.5	1000

Post

Item No.	Thread	Ø Post		L		OD		H		Mating Screw	Bulk Pack Qty
		in	mm	in	mm	in	mm	in	mm		
27POST8320250	#8-32	0.218	5.5	0.250	6.4	0.350	8.9	0.093	2.4	010832POST025PC	1000
27POST8320375	#8-32	0.218	5.5	0.375	9.5	0.406	10.3	0.093	2.4	010832POST037PC	1000
27POST8320500	#8-32	0.218	5.5	0.500	12.7	0.406	10.3	0.093	2.4	010832POST037PC	1000
27POST8320625	#8-32	0.218	5.5	0.625	15.9	0.406	10.3	0.093	2.4	010832POST037PC	1000
27POST8320750	#8-32	0.218	5.5	0.750	19.1	0.406	10.3	0.093	2.4	010832POST037PC	1000
27POST8320875	#8-32	0.218	5.5	0.875	22.2	0.406	10.3	0.093	2.4	010832POST037PC	1000
27POST8321000	#8-32	0.218	5.5	1.000	25.4	0.406	10.3	0.093	2.4	010832POST037PC	1000

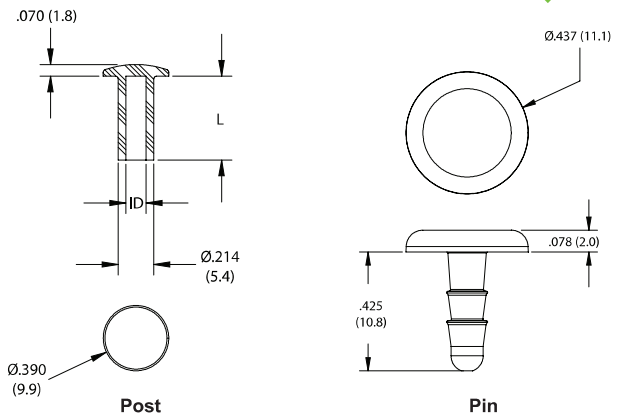
27POSTNT/27PP
Post and Pin

Specifications:

- Material: Post: Polyethylene
- Material: Pin: Polycarbonate
- Color: White

Features:

- A cost effective way for binding applications
- One size pin fits all lengths of posts; sold separately



Post

Item No.	ID		L		Bulk Pack Qty
	in	mm	in	mm	
27POSTNT0500	0.122	3.1	0.500	12.7	1000
27POSTNT0625	0.122	3.1	0.625	15.9	1000
27POSTNT0750	0.122	3.1	0.750	19.1	1000
27POSTNT1000	0.122	3.1	1.000	25.4	1000
27POSTNT1250	0.122	3.1	1.250	31.8	500

Pin

Item No.	Bulk Pack Qty
27PP001	1000