

Printview: PCB terminal strip; 4 solder pins/pole; 8-pole; pin spacing 10 mm / 0.394 in; with operating levers; without jumper slot - Item No.: 2716-108

WAGO® online catalog / eShop

PCB terminal strip; 4 solder pins/pole; 8-pole; pin spacing 10 mm / 0.394 in; with operating levers; without jumper slot

Item No.: 2716-108



PCB terminal strip; 4 solder pins/pole; 8-pole; pin spacing 10 mm / 0.394 in; with operating levers; without jumper slot

Marking

RoHS ✓
Compliant

Business data

Supplier	WAGO
Item no.	2716-108
GTIN / EAN	4045454739324
Content	1
Order amount	15
Customer item number	

Notes

High-current terminal strips with lever-actuated CAGE CLAMP® Tool-free opening and closing – fingers open/close levers
Several clamping units can be held open simultaneously – convenient for terminating multi-core cables
Four solder pins per contact point for high mechanical stability
600V UL for 12.5mm pin spacing
Pin and dimensions compatible to high-current, screw-type terminal blocks

Technical data

Miscellaneous

No. of Poles	8
Total number of connection points	8
Total number of potentials	8
Color	gray
Ratings according to 1	IEC/EN 60664-1
Overvoltage category EN 1	III

Technical data	
Pollution degree (1)	2
Rated voltage EN (1) [V]	320 [V]
Rated surge voltage (1) [kV]	4 [kV]
Nominal current [A]	76 [A]
Overtoltage category EN 2	II
Degree of pollution (2)	2
Rated voltage EN (2) [V]	630 [V]
Rated surge voltage (2) [kV]	4 [kV]
Nominal current (2) [A]	76 [A]
Overtoltage category EN 3	III
Degree of pollution (3)	3
Rated voltage EN (3) [V]	320 [V]
Rated surge voltage (3) [kV]	4 [kV]
Nominal current (3) [A]	76 [A]
Connection technology (1)	CAGE CLAMP®
Solid sizes 1	1.5 ... 16 mm ² / 16 ... 6 AWG
Fine-stranded wires 1	1.5 ... 6 mm ² / 16 ... 6 AWG
Fine-stranded wires with insulated ferrule 1	1.5 ... 10 mm ² / ...
Fine-stranded wires with uninsulated ferrule 1	1.5 ... 10 mm ² / ...
Strip length 1	12 ... 13 mm / 0.47 ... 0.51 in
Conductor entry angle to the PCB (degrees) [°]	30 [°]
Solder pin length [mm]	4.5 [mm]
Solder pin width A [mm]	0.95 [mm]
Solder pin width B [mm]	1.2 [mm]
Drilled hole diameter [mm] [mm]	1.6 [mm]
Tolerance of drilled hole diameter [mm] [mm]	+0.1 [mm]
Material group	I
Insulating material	Polyamide 6.6 (PA 6.6)
Flammability rating per UL 94	V0
Lower limit temperature [C]	-60 [C]
Upper temperature limit [C]	105 [C]
Clamping spring material	Chrome-nickel spring steel (CrNi)
Contact material	Electrolytic copper (Ecu)
Contact plating	tin-plated

Printview: PCB terminal strip; 4 solder pins/pole; 8-pole; pin spacing 10 mm / 0.394 in; with operating levers; without jumper slot - Item No.: 2716-108

Technical data	
Fire load [MJ]	1.207 [MJ]
Weight [g]	74.44 [g]
Height [mm]	28.8 [mm]
Altitude [in]	1.134 [in]
Pin spacing from [mm]	10 [mm]
Pin spacing from [in %]	0.394 [in %]

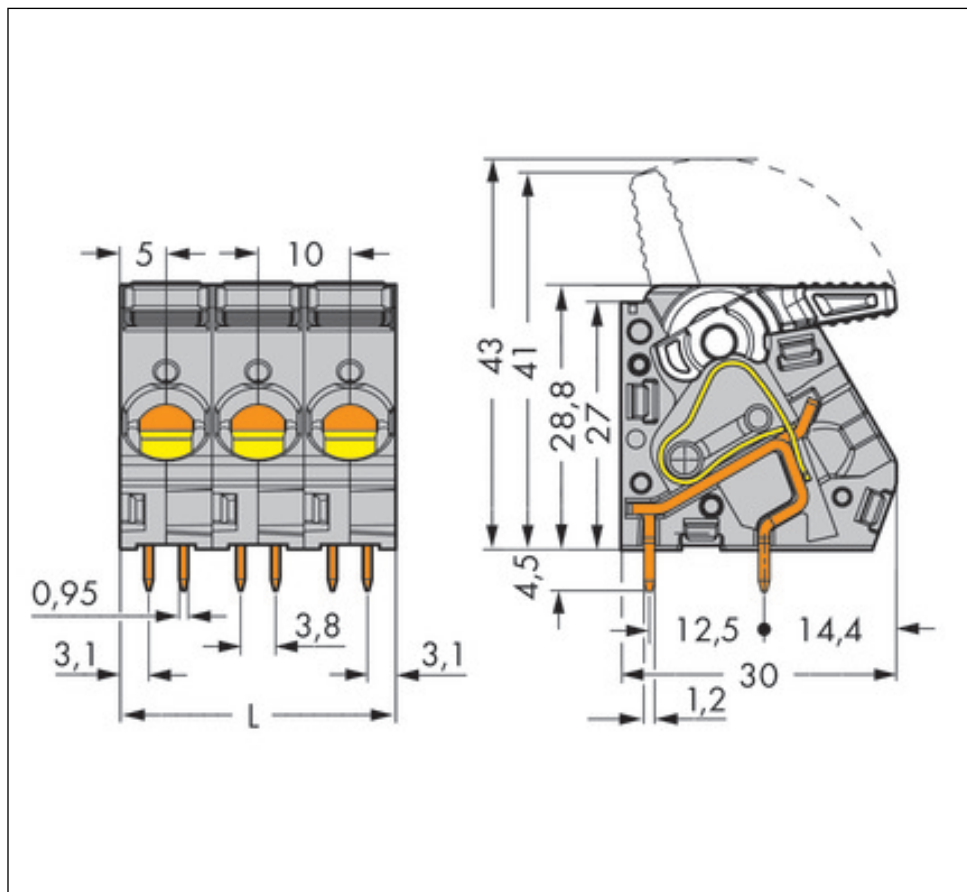
Approbation					
Item No.	Registration	Registration no.	Voltage [V]	Current [A]	Cross section [mm ² , AWG]
2716-108	CCA	NTR NL-7364	250	85	1.50-16.00
2716-108	CCA	NL6425	500/250	76	1,5-16
2716-108	CCA	NTR NL-7131	250	76	1.50-16.00
2716-108	KEMA	2121287.02	500/250	76	1,5-16
2716-108	UL	E45172	300	55	16-6

Printview: PCB terminal strip; 4 solder pins/pole; 8-pole; pin spacing 10 mm / 0.394 in; with operating levers; without jumper slot - Item No.: 2716-108

Images & drawings



Printview: PCB terminal strip; 4 solder pins/pole; 8-pole; pin spacing 10 mm / 0.394 in; with operating levers; without jumper slot - Item No.: 2716-108



Address

WAGO Kontakttechnik GmbH & Co. KG

Hansastr. 27

32423 Minden

Telefon: 0571/887-0

Fax: 0571/887-169

<http://www.wago.com>

© WAGO Kontakttechnik GmbH & Co. KG

Technische Änderungen und Irrtümer vorbehalten.