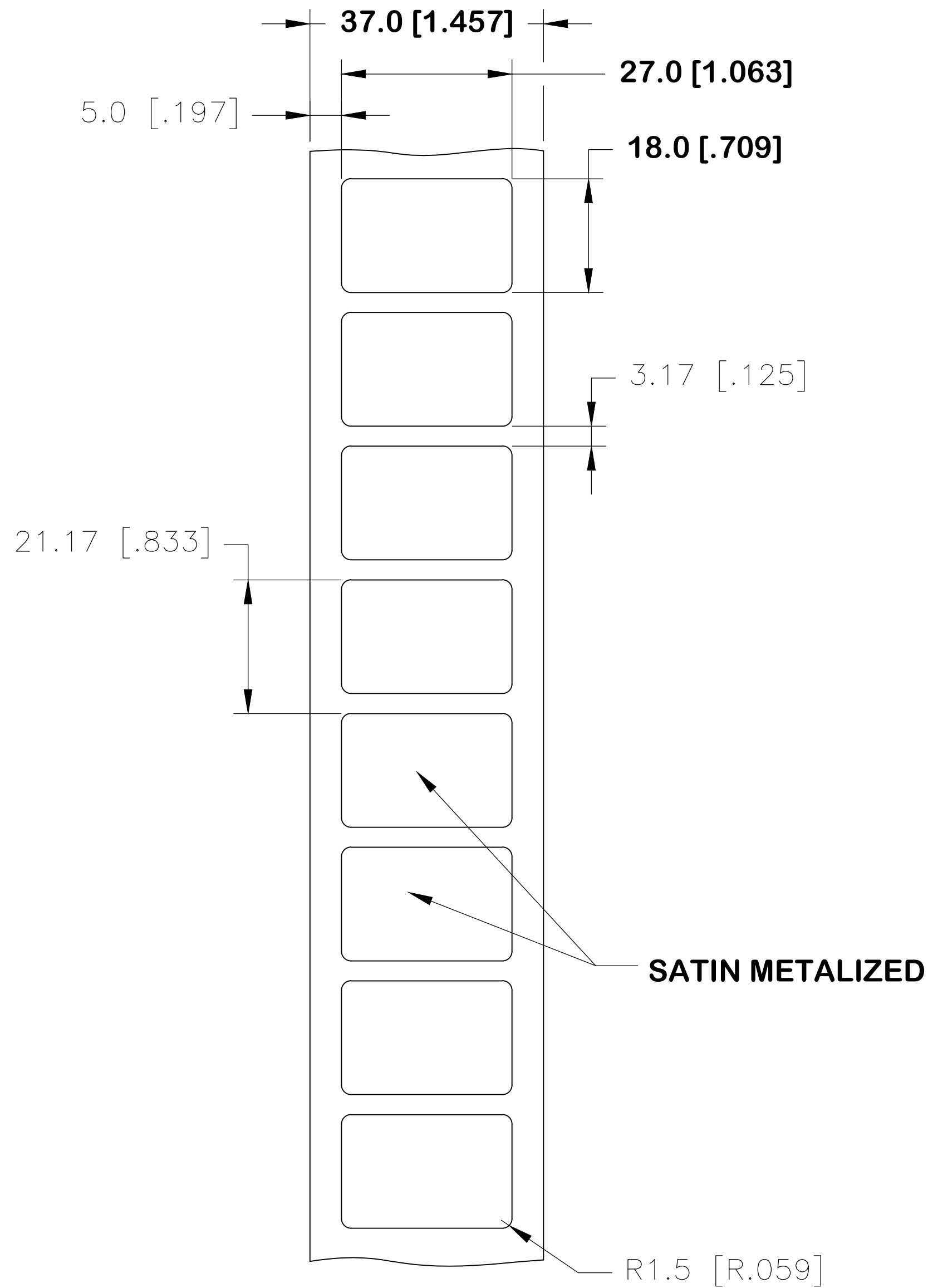
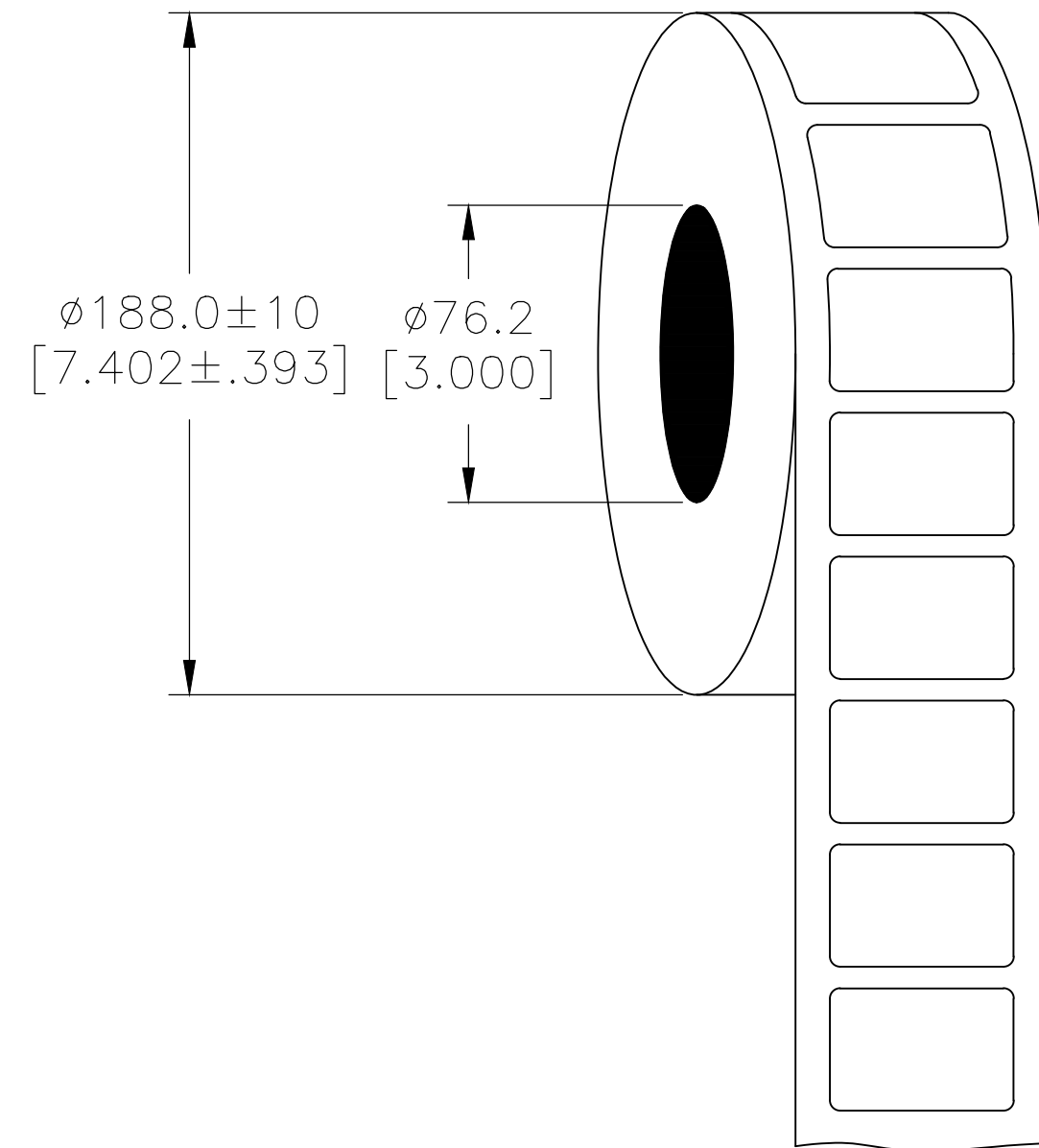


REVISIONS					
P	LTR	DESCRIPTION	DATE	DWN	APVD
	A	NEW DRAWING	21SEP2017	GK	DB
	A1	UL TABLE UPDATED	06JUN2018	GK	DB

LABEL AND LINER DESIGN



PRESENTATION



**OUTSIDE WOUND
 LABEL ACROSS: 1
 PER ROLL QTY: 1250**

All dimensions in mm [Inch]

TE PN: 2322538-1

UL-MARKING AND LABELLING SYSTEMS	
PGJ12 - Printing Materials - Component (UL 969)	
PGJ18 - Printing Materials Certified for Canada - Component (CSA C22.2 No. 0.15)	
File: MH17292	Product design: PL-8A Ribbon: TTB-XXXSC/YYYYAQ529

TOLERANCES mm [INCH]	
LABEL HEIGHT:	± 0.3 [.012]
LABEL WIDTH:	± 0.3 [.012]
WEB WIDTH:	± 0.5 [.020]
VERTICAL REPEAT:	± 0.5 [.020]*
HORIZONTAL REPEAT:	± 0.5 [.020]*
LABEL POSITIONING:	± 0.5 [.020]*
LEFT MARGIN:	± 0.5 [.020]
QUANTITY:	-0 % +2 %
*NON ACCUMULATING	

MATERIAL		POLYESTER SATIN METALIZED	
ADHESIVE TYPE		ACRYLIC PE FOAM	
LINEAR		BROWN KRAFT	
DWN	21SEP2017	TE Connectivity	
CHK	GOPALAKRISHNA HV		
D.BURGAT			
APVD	21SEP2017		
D.BURGAT			
PRODUCT SPEC		PANEL LABEL-SATIN METALIZED	
TTDS-245		27.0 x 18.0mm [1.063 x 0.709inch]	
APPLICATION SPEC			
WEIGHT	0.229 _g	SIZE	A2
CUSTOMER DRAWING		CAGE CODE	FB1U7
		DRAWING NO	PL-027018-1.25-8A
		RESTRICTED TO	
		SCALE	NTS
		SHEET	1 of 1
		REV	A1

Mouser Electronics

Authorized Distributor

Click to View Pricing, Inventory, Delivery & Lifecycle Information:

[TE Connectivity:](#)

[2322538-1](#)