







Molded plastic front plate Degree of protection IP55 with actuator diaphragm and holder for circuit breaker Size S00

product category	Enclosure
product designation	Molded-plastic front plate
design of the product	Installation
General technical data	
product function EMERGENCY OFF function	No
protection class IP of the enclosure	IP55
Substance Prohibitance (Date)	07/01/2006
material of the enclosure	plastic
Installation/ mounting/ dimensions	
height	107 mm
width	85 mm
depth	12 mm

Approvals Certificates

General Product Approval	Test Certificates	Marine / Shipping
 EG-Konf. 	Confirmation 	Type Test Certificates/Test Report 

Marine / Shipping	other
   	Confirmation 

Environment

[Environmental Confirmations](#)

Further information

Information on the packaging
<https://support.industry.siemens.com/cs/ww/en/view/109813875>
 Information- and Downloadcenter (Catalogs, Brochures,...)
<https://www.siemens.com/ic10>
 Industry Mall (Online ordering system)
<https://mall.industry.siemens.com/mall/en/en/Catalog/product?mlfb=3RV1913-4C>

Cax online generator

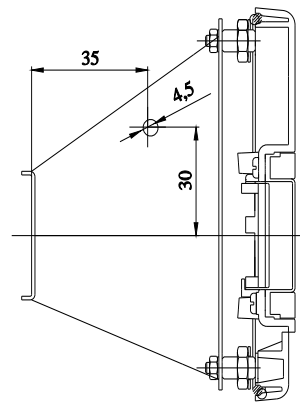
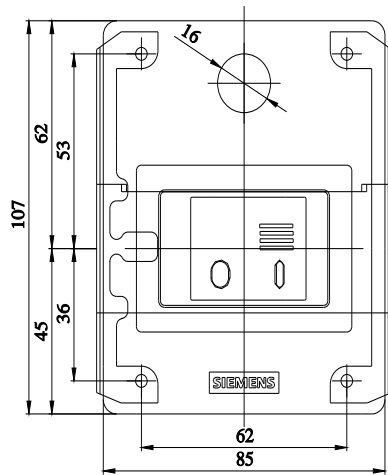
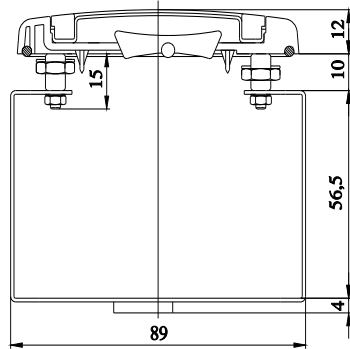
<http://support.automation.siemens.com/WW/CAXorder/default.aspx?lang=en&mlfb=3RV1913-4C>

Service&Support (Manuals, Certificates, Characteristics, FAQs,...)

<https://support.industry.siemens.com/cs/ww/en/ps/3RV1913-4C>

Image database (product images, 2D dimension drawings, 3D models, device circuit diagrams, EPLAN macros, ...)

http://www.automation.siemens.com/bilddb/cax_de.aspx?mlfb=3RV1913-4C&lang=en



last modified:

1/10/2024