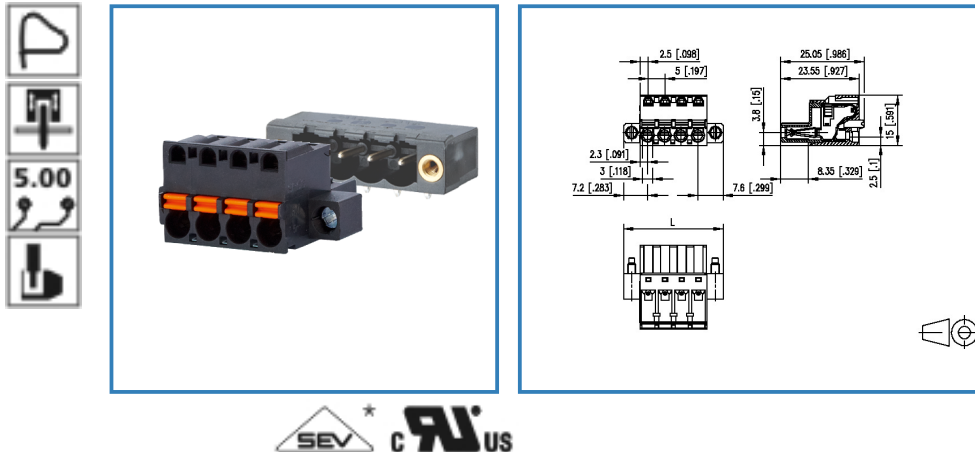


# Data Sheet

## SP065xxVBNF

### Illustration



see enlarged drawing at the end of the document

### Product specification

- spring clamp terminal block, pluggable
- centerline 5.00 mm, direction of connection vertical 0°
- color black, mounting flange
- push-button, wire entry uncodeable side parallel to plug direction
- Connection data

**CRIUS** V / A / AWG 300 / 12 / 28 - 12

**SEV** 12 A / 250 V / 4 kV / 30.08 - 2.5 mm<sup>2</sup>

# Data Sheet

## SP065xxVBNF


### Technical Data

#### General Data

min. number of poles	2		
max. number of poles	24		
Insulating material class	CTI 600		
clearance/creepage dist.	3.5 mm		
protection category	IP 20		
Overvoltage category	III	III	II
Pollution degree	3	2	2
Rated voltage	250 V	630 V	630 V
Rated test voltage	4.0 kV	4.0 kV	4 kV

#### Connection data

 V / A / AWG	300 / 12 / 28 - 12		
--	--------------------	--	--

	12 A / 250 V / 4 kV / 30.08 - 2.5 mm <sup>2</sup>		
--	---	--	--

#### Material

insulating material	PA66		
flammability class	V0		

#### Climatic properties

upper limit temperature	105 °C		
lower limit temperature	-40 °C		

#### General

Tolerance	ISO 2768 -mH		
-----------	--------------	--	--

# Data Sheet

## SP065xxVBNF

Page 3/4

P/N

SP065xxVBNF

xx=number of poles

2013/12/03

### Matching Part

P/N	Product name
313351	PT115xxVBBF Typ 335
313361	PT115xxHBBF Typ 336
313961	PR065xxHBBF
313971	PR065xxVBBF

### Accessories

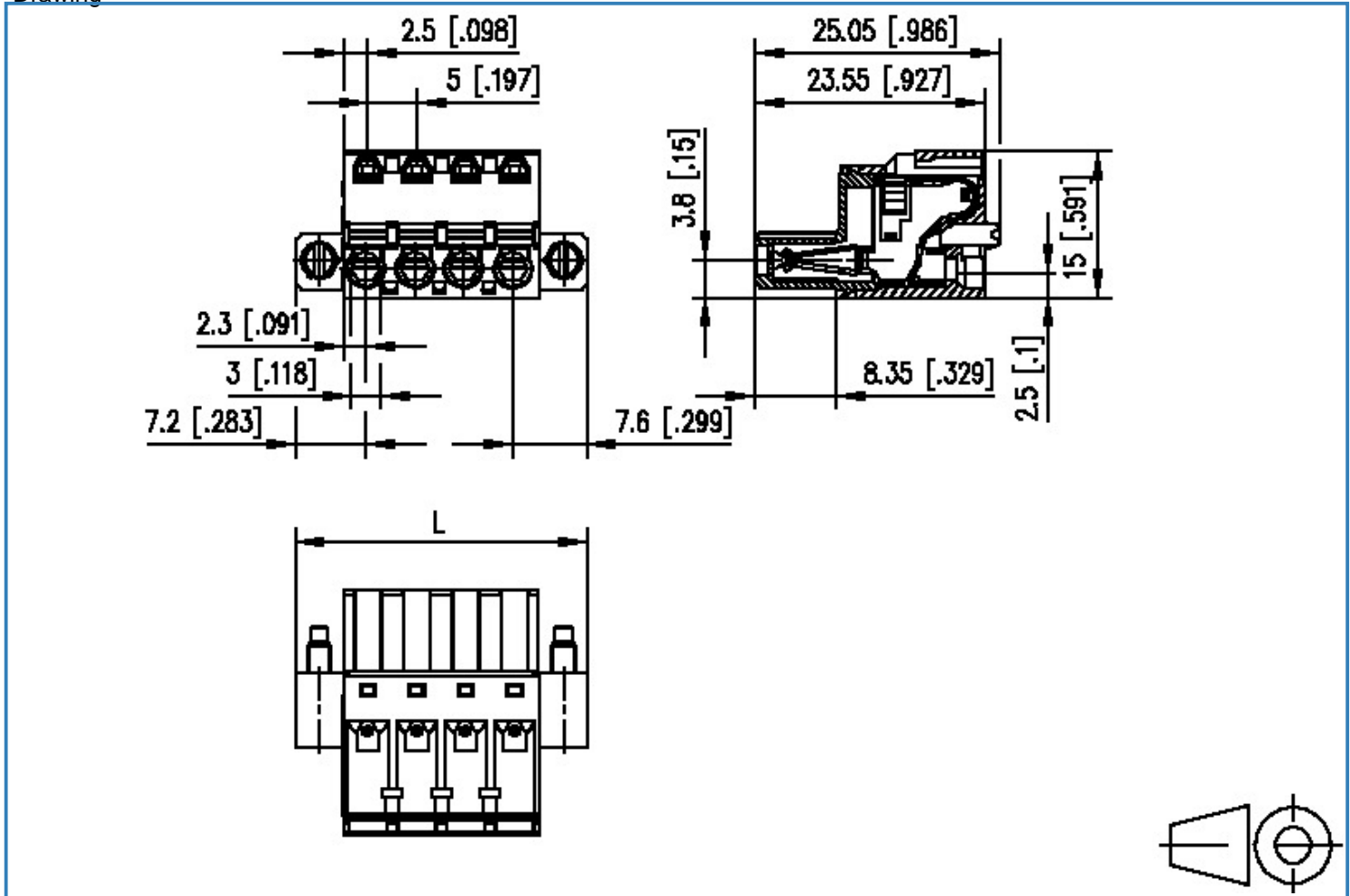
P/N	Product name
700025-01-5 (on request)	F_Kodier_blp
700025-01-9	700025
840020-02 (on request)	Drahtbrücke 0.8 RM 5.0

# Data Sheet

## SP065xxVBNF

### Illustration

Drawing



$L = (\text{pole size} - 1) \times \text{centerline} + 14.8 [0.583]$