

potentiometer 6mm SMD



PS6

MAIN FEATURES

- Specifically designed for leadfree reflow soldering processes (excellent performance).
- Carbon resistive element.
- IP54 protection according to IEC 60529.
- Moisture sensitivity level 1.
- Embossed tape according to IEC 60286-3:2007.
- Wiper positioned at initial, 50% or fully clockwise.
- Full traceability.
- Also upon request:
 - Long life model for low cost control potentiometer applications.
 - Shaft - knob.
 - Self extinguishable plastic UL 94V-0.

MECHANICAL SPECIFICATIONS

- Mechanical rotation angle: $235^\circ \pm 5^\circ$
- Electrical rotation angle: $200^\circ \pm 20^\circ$
- Torque: 0.2 to 2 Ncm.
(0.3 to 2.7 in-oz)
- Stop torque: > 4 Ncm. (>7 in-oz)

ELECTRICAL SPECIFICATIONS

- Range of values*: $1K\Omega \leq R_n \leq 1M\Omega$ (Decad. 1.0 - 2.0 - 2.2 - 2.5 -4.7 -5.0)
- Standard tolerance*: $\pm 30\%$
- Taper*: Linear
- Nominal Power: 0.1W @ 50°C (122°F)
- Operating temperature: $-40^\circ\text{C} + 85^\circ\text{C}$
- Residual resistance: $\leq 5 \cdot 10^{-3} R_n$

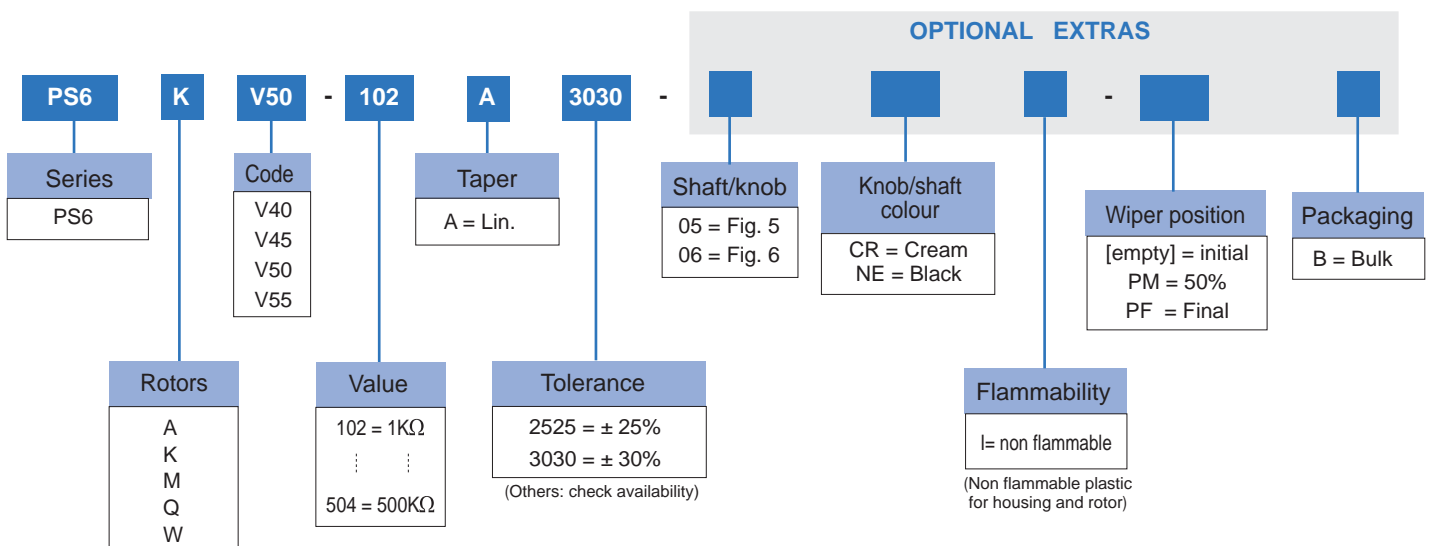
* for other values: check availability.

HOW TO ORDER

Part number examples:

PS6KV50-103A3030: PS6 model with K rotor; V50 mounting type; 10K ohm resistive value; linear taper and $\pm 30\%$ tolerance.

PS6WV40-502A2525-06CR-PF: PS6 model with inserted knob fig. 6; V40 mounting type, 5K ohm resistive value; linear taper; $\pm 25\%$ tolerance, color of the knob: cream; wiper positioned at the end of the travel.



All Piher products can be adapted to meet customer's requirements.

HOW TO ORDER CUSTOM DRAWING

PS6KV50 + DRAWING NUMBER (Max. 16 characters)

This way of ordering should be used for options which are not included in the "How to order" standard and optional extras.

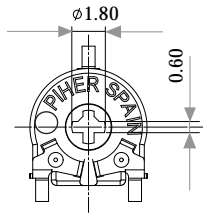
STANDARD OPTIONS

| | |
|----------------------|-------------|
| Rotor colour | Grey |
| Housing colour | Grey |
| Wiper position | Initial |
| Packaging | Reel |
| Life | 1000 cycles |
| Detents | None |

ROTORS

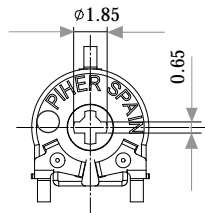
Note: wipers are shown positioned at 50%. W model has an factory-inserted knob.

K= Cross slot through hole

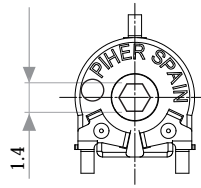


Q= Cross slot through hole

Available in cream color only

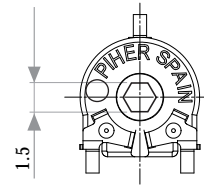


M= Hexagonal through hole



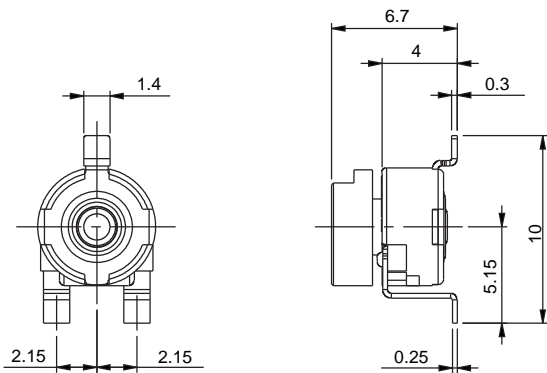
A= Hexagonal through hole

Available in cream color only

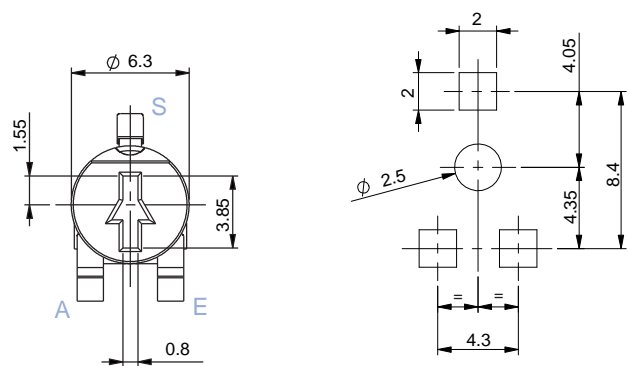


W = with inserted shaft or knob. Default color of the knob: cream.

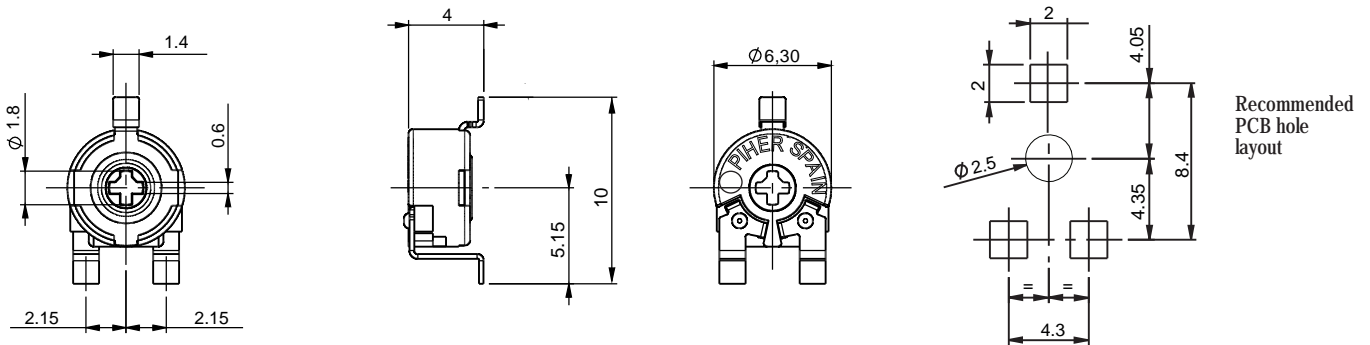
Drawing example, W V40 with knob ref 6:



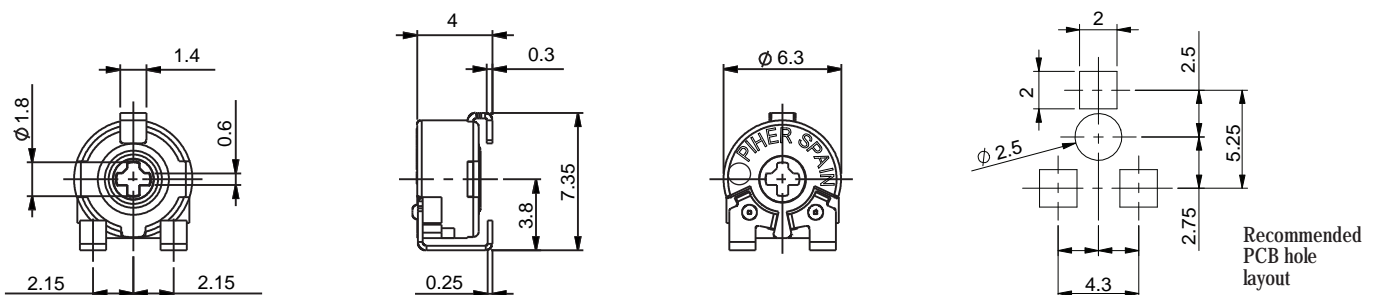
S (wiper)
(final) E ● — A (initial)



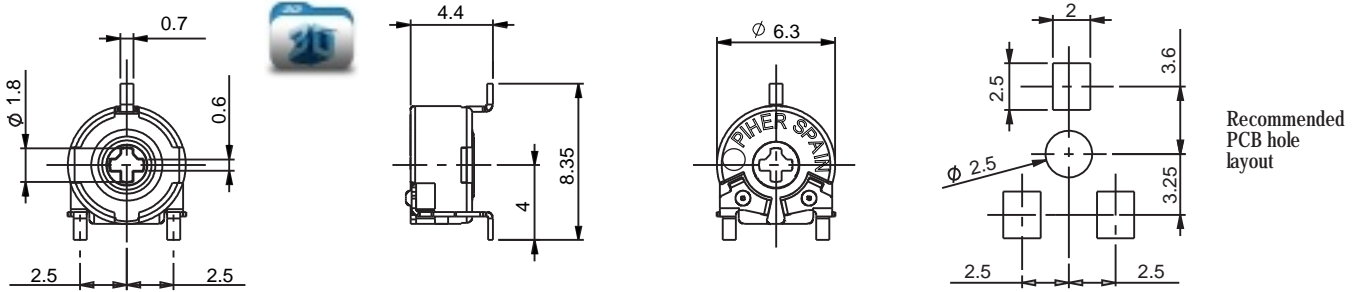
DIMENSIONS - V40



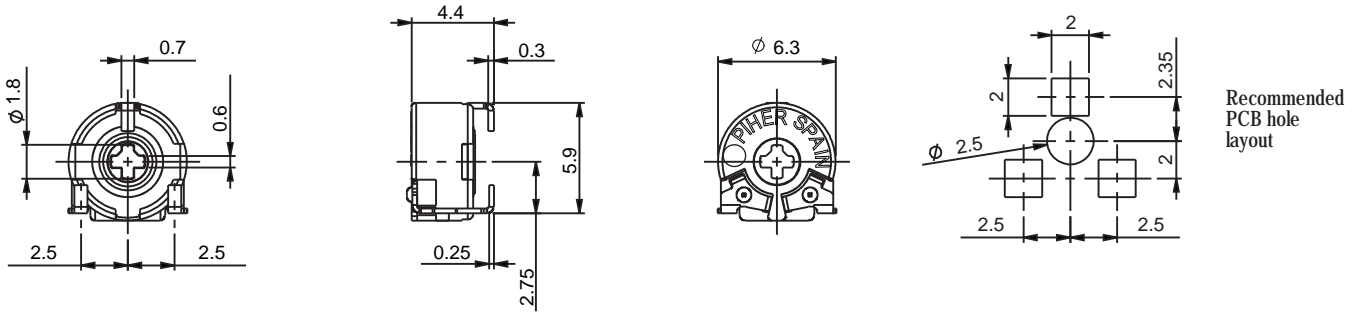
DIMENSIONS - V45



DIMENSIONS - V50

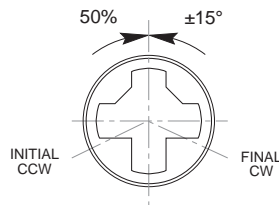


DIMENSIONS - V55

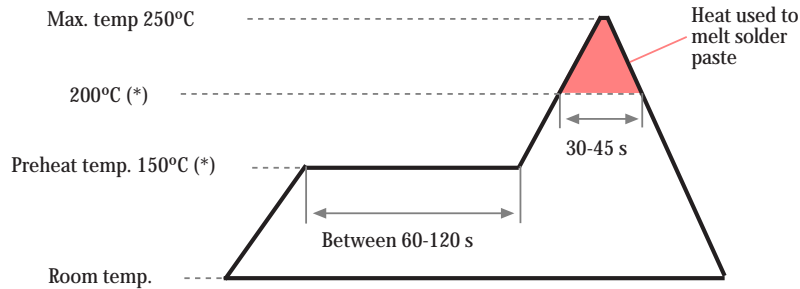


POSITIONING

Std. Position = CCW



PS-6 RECOMMENDED REFLOW PROFILE



(*) Melting point temp. depends on solder properties

The recommended reflow profile is provided as a guideline. Optimal profile may differ due to oven type, assembly layout or other design or process variables. Customers should verify actual device performance in their specific application and reflow process. Please contact Piher if you require additional support.

TESTS

VARIATIONS

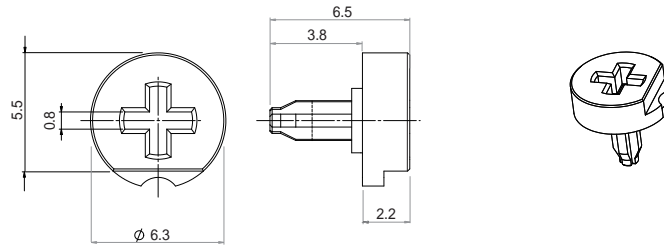
| TESTS | | VARIATIONS |
|----------------------------------|---------------------------|------------|
| ELECTRICAL LIFE | 1.000 h. @ 50°C; 0.10 W | ±10% |
| MECHANICAL LIFE (CYCLES)* | 1000 @ 10 CPM ... 15 CPM | ±10 % |
| TEMPERATURE COEFFICIENT | -40°C; +85°C | ±1500 ppm |
| THERMAL CYCLING | 16 h. @ 90°C; 2h. @ -40°C | ±5 % |
| DAMP HEAT | 500 h. @ 40°C @ 95% HR | ±15 % |
| VIBRATION (for each plane X,Y,Z) | 2 h. @ 10 Hz. ... 55 Hz. | ±3 % |

* Tests at room temperature. Other life cycles upon request.

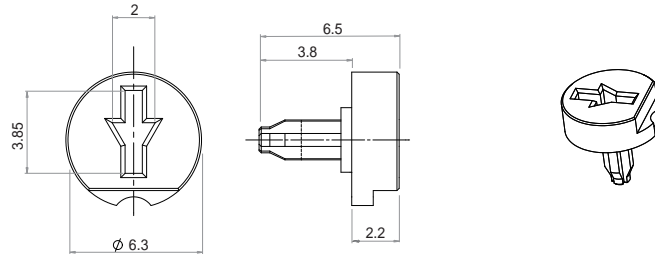
NOTE: Out of range values may not comply these results. Please confirm with the factory all the information before designing in.

SHAFT / KNOB

Knob ref.: 6148 / Fig. 5



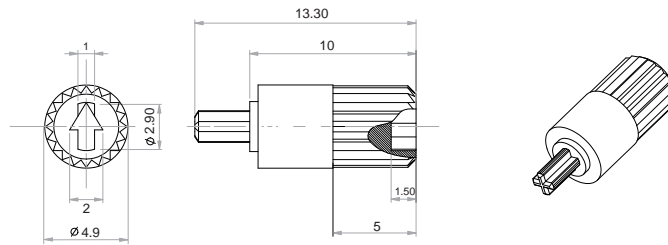
Knob ref.: 6160 / Fig. 6



Shaft ref.: 6144

Color: black, others check availability.

Please order this shaft separately as this is not provided-factory assembled to the potentiometer.

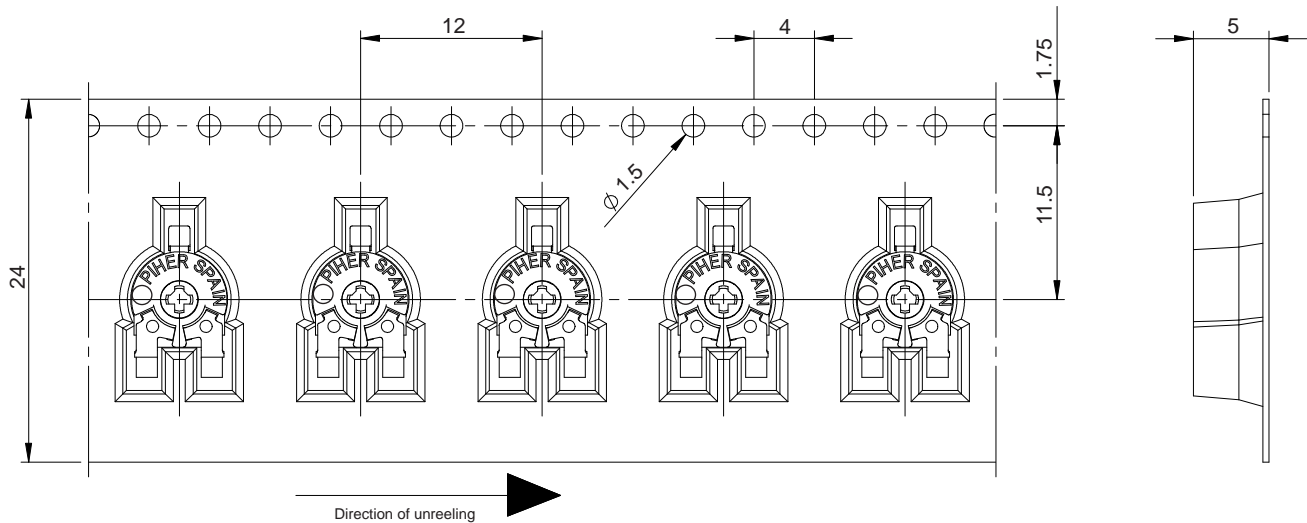
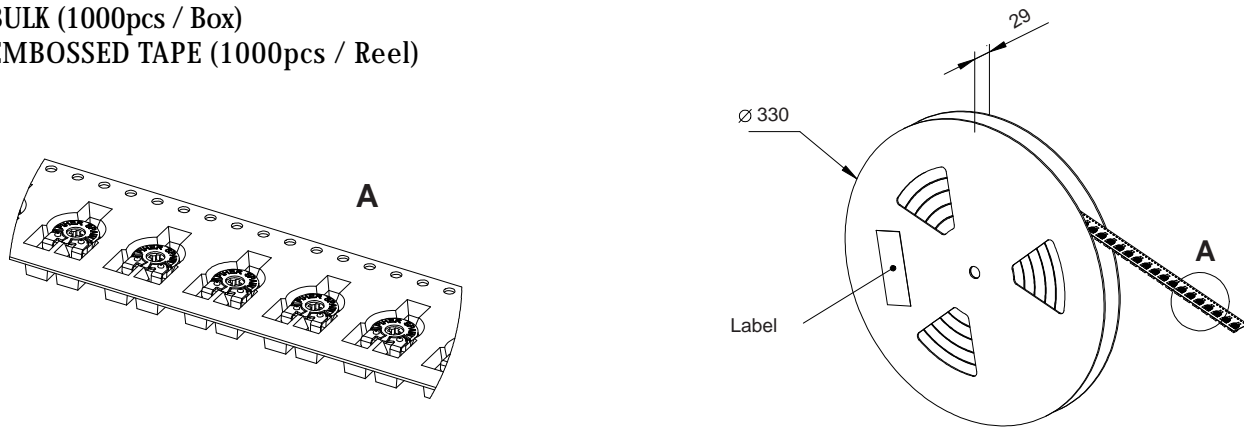


PACKAGING

V40 and V45 models

BULK (1000pcs / Box)

EMBOSED TAPE (1000pcs / Reel)

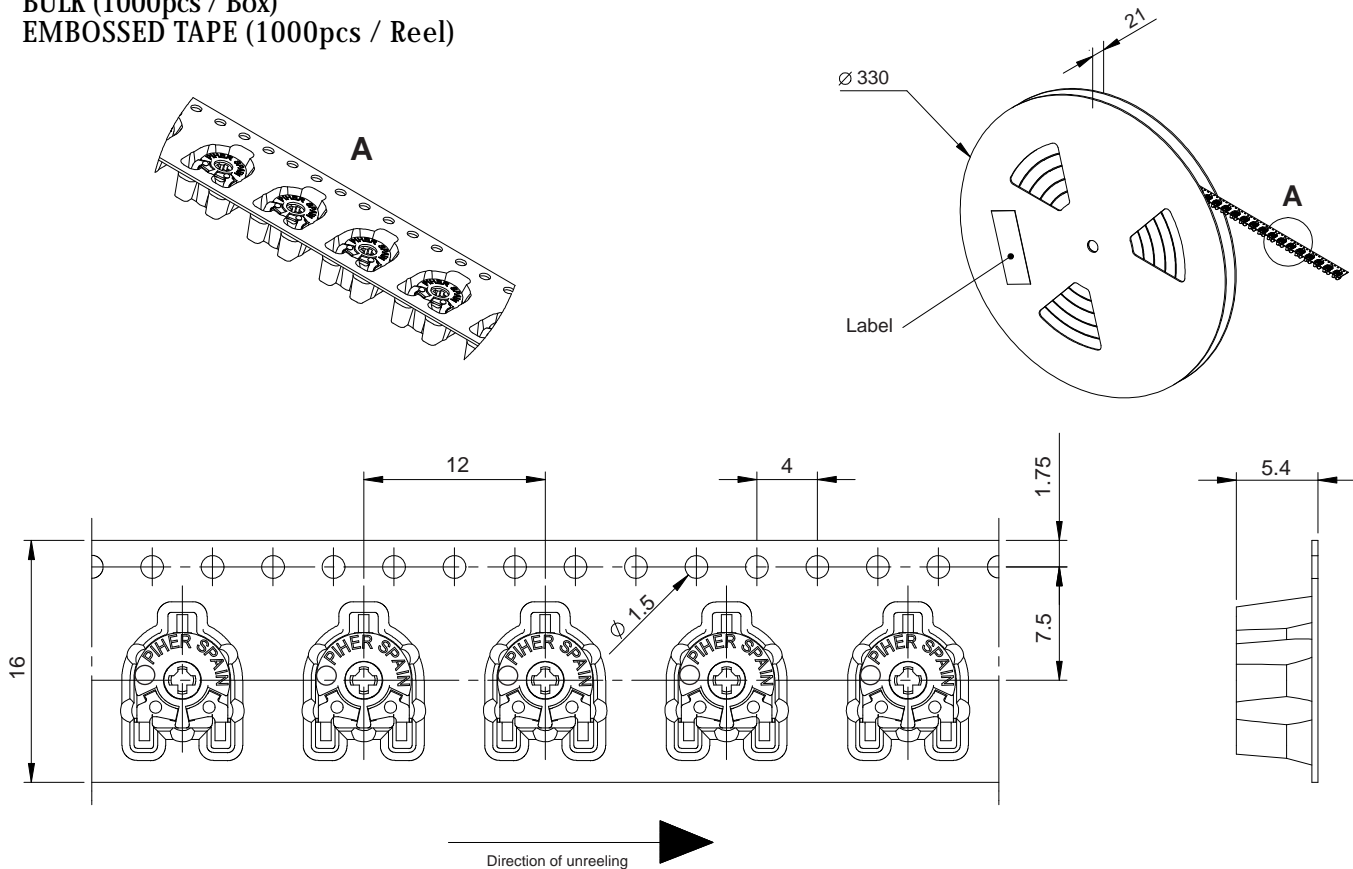


PACKAGING

V50 and V55 models

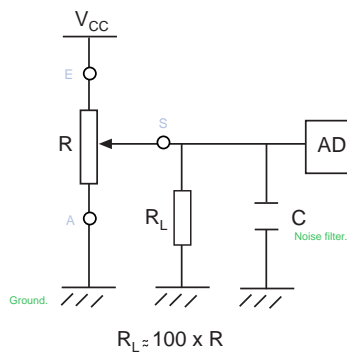
BULK (1000pcs / Box)

EMBOSSED TAPE (1000pcs / Reel)



RECOMMENDED CONNECTIONS

Piher potentiometer's recommended connection circuit for a position sensor or control application. (voltage divider circuit electronic design).



Disclaimer

The product information in this catalogue is for reference purposes. Please consult for the most up to date and accurate design information.

Piher Sensors & Controls S.A., its affiliates, agents, and employees, and all persons acting on its or their behalf (collectively, "Piher"), disclaim any and all liability for any errors, inaccuracies or incompleteness contained herein or in any other disclosure relating to any product described herein.

Piher disclaims any and all liability arising out of the use or application of any product described herein or of any information provided herein to the maximum extent permitted by law. The product specifications do not expand or otherwise modify Piher's terms and conditions of sale, including but not limited to the warranty expressed therein, which apply to these products.

No licence, express or implied, by estoppel or otherwise, to any intellectual property rights is granted by this document or by any conduct of Piher.

The products shown herein are not designed for use in medical, life-saving, or life-sustaining applications unless otherwise expressly indicated. Customers using or selling Piher products not expressly indicated for use in such applications do so entirely at their own risk and agree to fully indemnify Piher for any damages arising or resulting from such use or sale. Please contact authorised Piher personnel to obtain written terms and conditions regarding products designed for such applications. Product names and markings noted herein may be trademarks of their respective owners.

Piher is an Amphenol™ company.

All Piher products can be adapted to meet customer's requirements.

Please always use the latest updated datasheets and 3D models published at our website www.piher.net.

v300919



Information contained in and/or attached to this catalogue may be subject to export control regulations of the European Community, USA, or other countries. Each recipient of this document is responsible to ensure that usage and/or transfer of any information contained in this document complies with all relevant export control regulations. If you are in any doubt about the export control restrictions that apply to this information, please contact the sender immediately. For any Piher Exports, Note: All products / technologies are EAR99 Classified commodities. Exports from the United States are in accordance with the Export Administration Regulations. Diversion contrary to US law is prohibited.