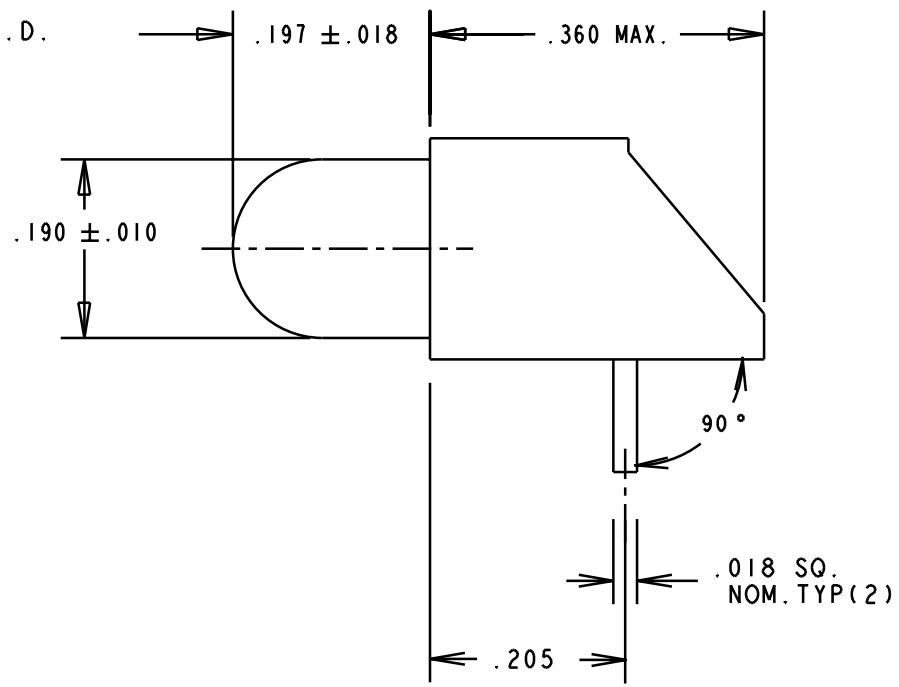
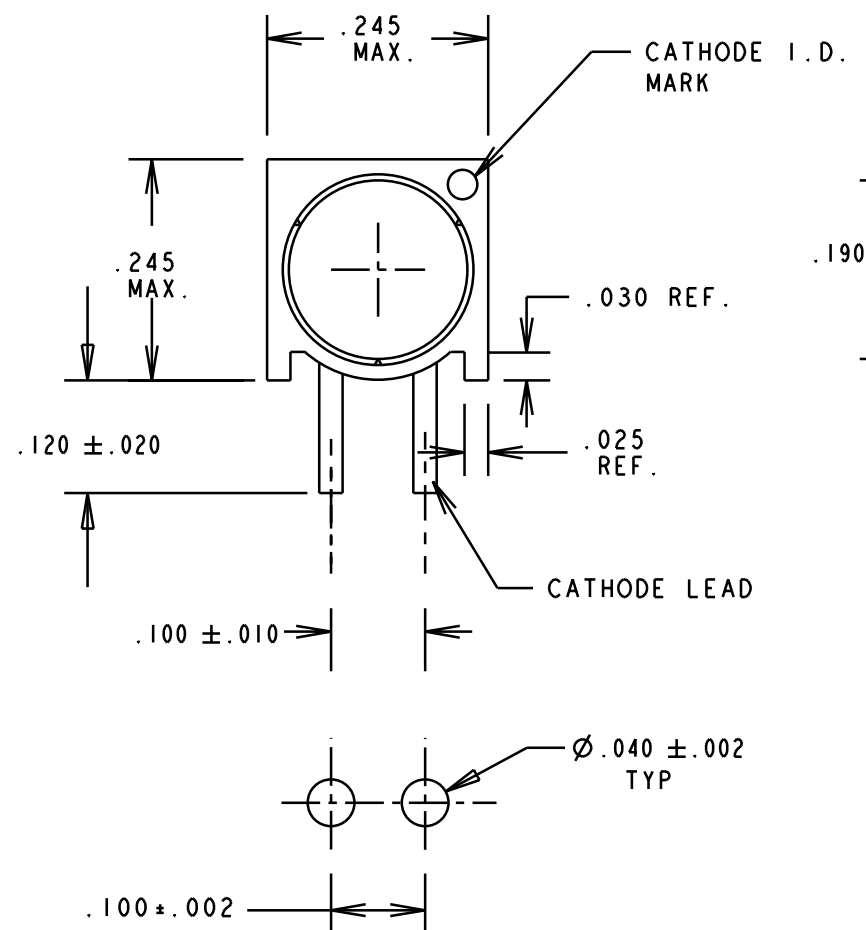
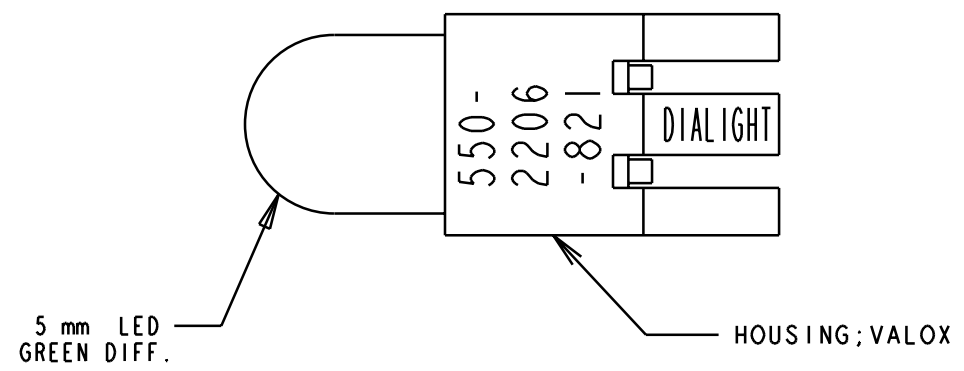


LED COLOR = GREEN DIFFUSED					
OPERATING CHARACTERISTICS AT 25°C AMBIENT					
CHARACTERISTICS	MIN	TYP	MAX	UNITS	TEST CONDITIONS
LUMINOUS INTENSITY	4.2	5.2		mcd	$I_f = 10 \text{ mA}$
PEAK WAVELENGTH		565		nm	MEASUREMENT AT PEAK
SPEED OF RESPONSE		500		ns	
FORWARD VOLTAGE		2.3	3.0	V	$I_f = 10 \text{ mA}$
REVERSE BREAKDOWN VOLTAGE	5			V	$I_R = 100 \mu\text{A}$
VIEWING ANGLE		60		Degree	

ABSOLUTE MAXIMUM RATING AT 25°C AMBIENT	UNITS	GREEN DIFF.
POWER DISSIPATION	mW	135
DERATE LINEARLY FROM 25° C	mW/°C	1.8
AVERAGE FORWARD CURRENT	mA	25
LEAD SOLDERING TEMPERATURE, 5 SEC., 1/16" FROM BODY	°C	260
OPERATING AND STORAGE TEMPERATURE	°C	-55 TO 100

REV.	ECN NO.	REVISIONS	DRN.	CKD.	APP.	DATE
A	-----	REPLACED WITH STANDOFF HSG., DIM'S .190 ±.010 WAS .194 ±.010, .197 ±.018 WAS .197 ±.022; .018 SQ. NOM. WAS .020±.003 ; .245 MAX. WAS .235 ±.005; PUT NOTES 1 & 2 TO TOLERANCES BOX. REVISED NOTE 4, ADDED NEW NOTES 1, 2 AND 5. REMOVED RIGHT SIDE VIEW, ADDED TOP VIEW. REVISED LED SPEC.				



RECOMMENDED P.C.B. HOLE PATTERN

NOTES:

- LEADS TO FIT INTO HOLES SPACED AS PER HOLE PATTERN.
- LED LEAD DIMENSIONS SHOWN ARE MEASURED AT HOUSING EXIT.
- LED ASSEMBLY TO MEET CODEX SPEC. 60549-02.
- PACKAGE IN TUBE P/N 5100-136-0426-99, 100 PCS/TUBE. USE (2) END PLUGS P/N 5100-000-0427-99.
- DIALIGHT PART NO. 550-2206-821

THIS DRAWING AND THE CONTENTS HEREIN ARE CONFIDENTIAL AND THE SOLE PROPERTY OF DIALIGHT. REPRODUCTION OF THIS DRAWING OR CONSTRUCTION OF ANY PARTS WITHIN THIS DRAWING ARE FORBIDDEN WITHOUT THE WRITTEN CONSENT OF DIALIGHT.		
SCALE 5:1	DRAWING NUMBER	REV
ALL DIM'S IN: INCHES	C-15437	A
TOLERANCES: UNLESS OTHERWISE SPECIFIED	TITLE	
FRACTIONS: ±1/64	5 mm LED CBI	
DECIMALS (.XX): ±.020	MATERIAL	
DECIMALS (.XXX): ±.015	Dialight	
ANGLES: ±3°	1913 ATLANTIC AVE.	
FINISH:	MANASQUAN, N.J. 08736	
FSCM 83330	SHEET OF	FAMILY TABLE: