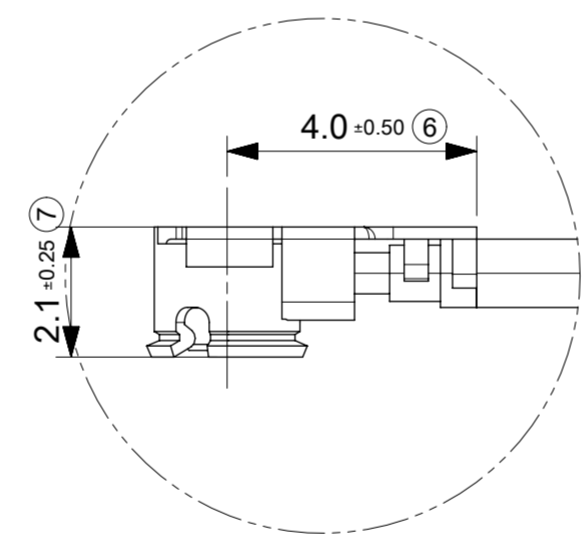
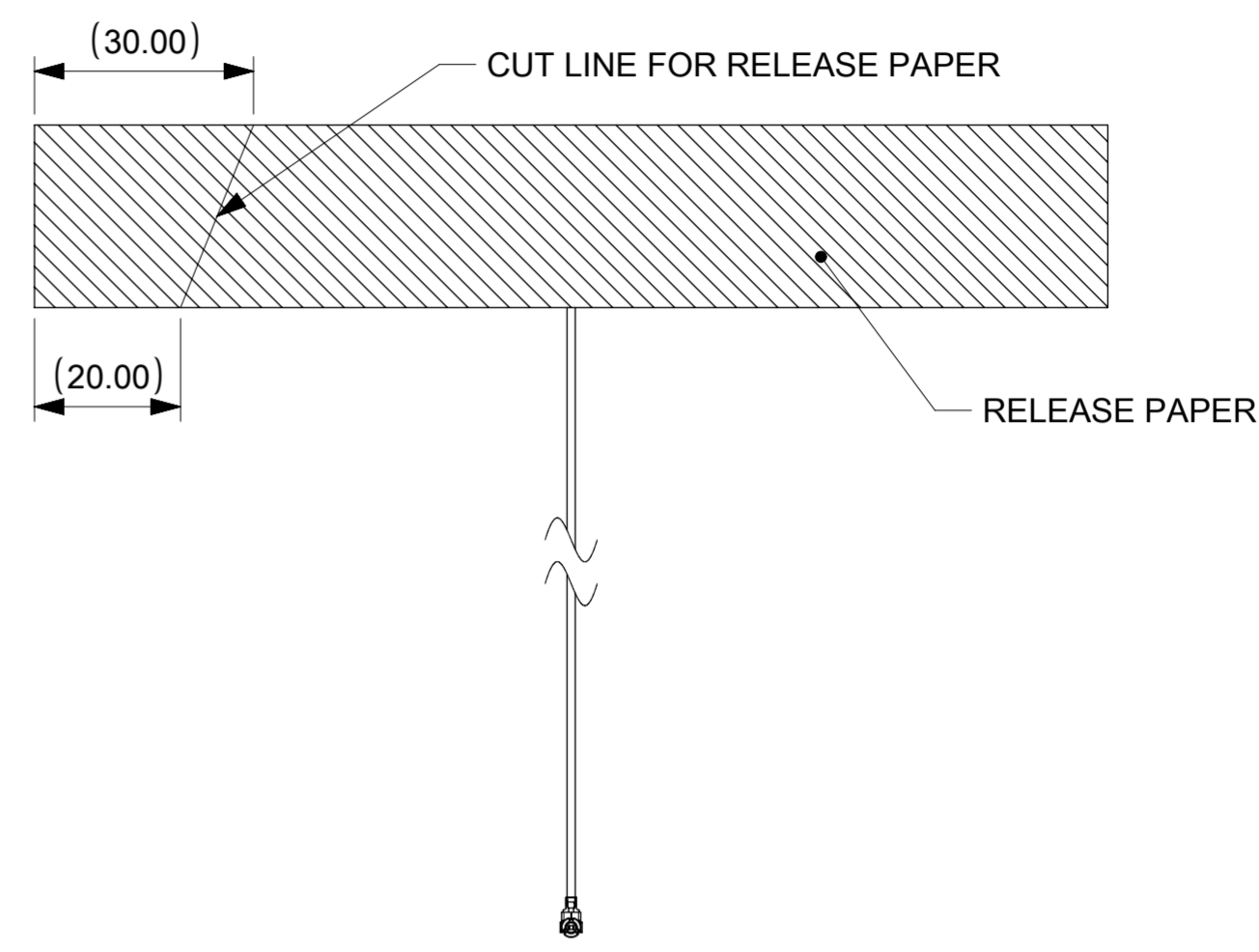
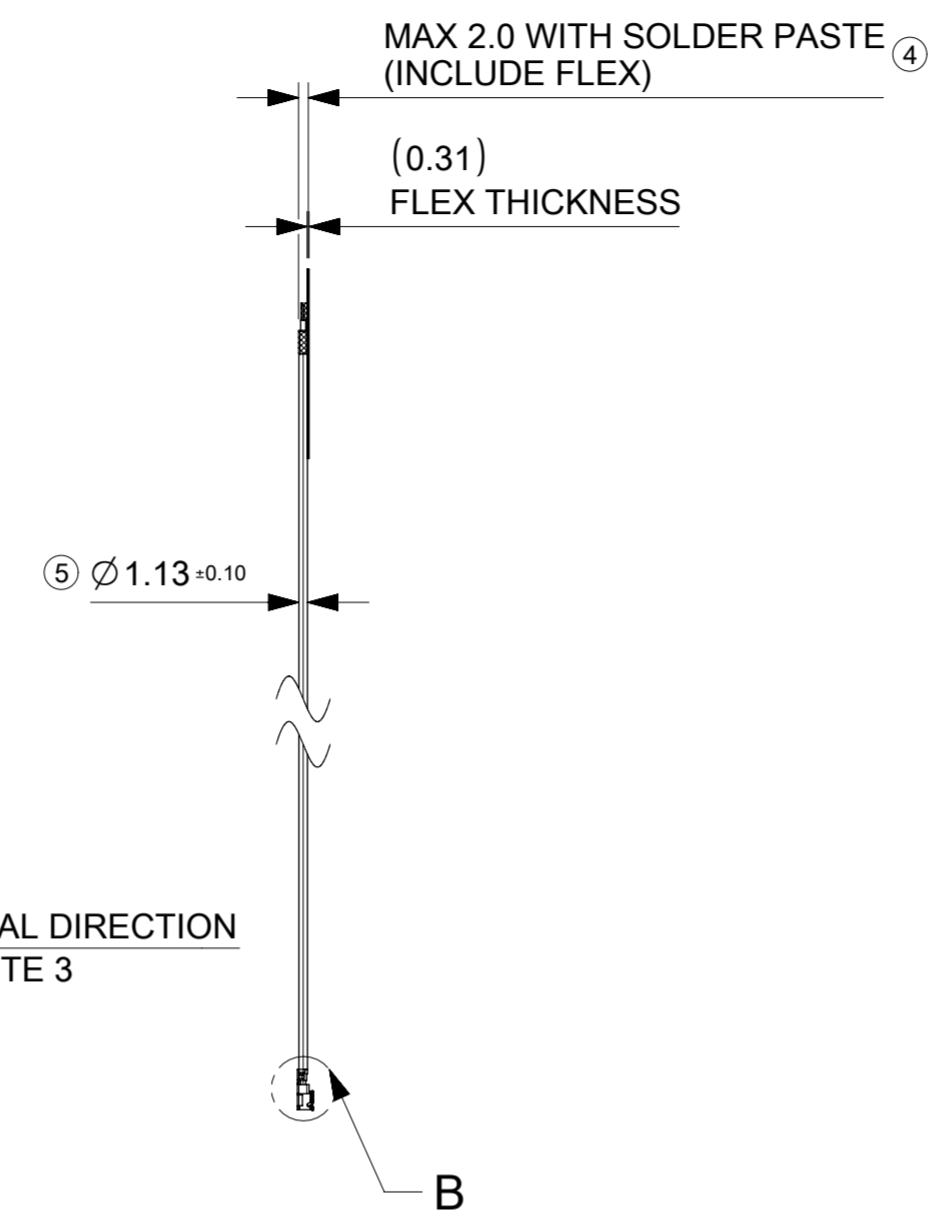
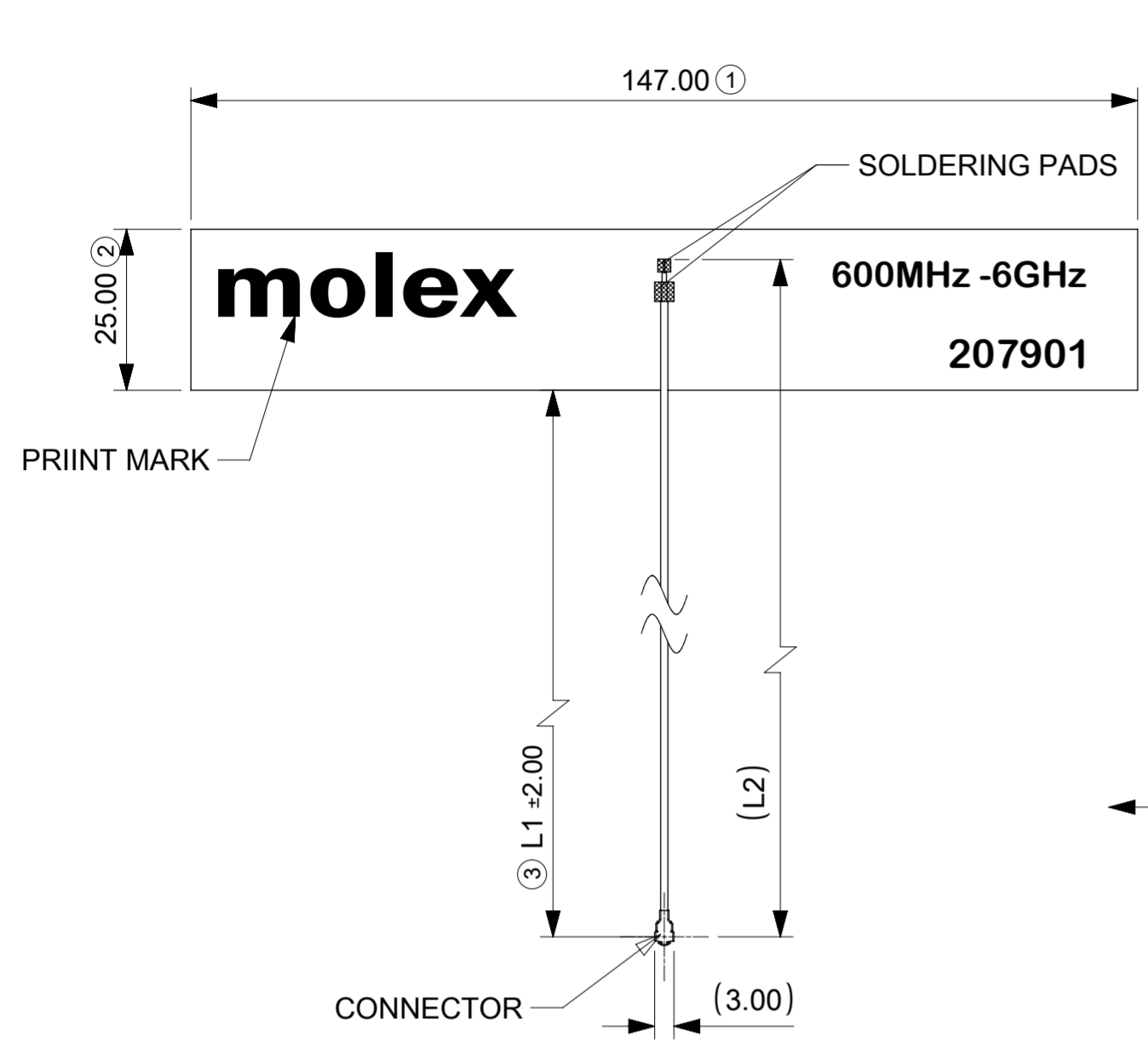


REV	DATE	DESCRIPTION
A	2022/05/01	NEW RELEASE
A1	2023/11/24	OBSOLETE P/N's 2079019150 2079019250



DETAIL B  
SCALE 8:1

- NOTES:
- MATERIAL  
FLEX SOLDER MASK BLACK IN COLOR.  
PRINT TEXT WHITE IN COLOR.  
CABLE: Ø1.13MM, BLACK IN COLOR.  
CONNECTOR: MHF-1 PLUG AU TYPE (P/N: 20278-112R-13).  
ADHESIVE: TESA 68537. THICKNESS: 100UM.
  - FOR PULL TEST, CAN NOT LIFT UP IN THE VERTICAL DIRECTION.
  - THE CONNECTOR WILL BE PROTECTED WITH A CAP
  - APPLICATION SPEC PLEASE REFER TO AS OF AS-2079010100.
  - PRODUCT SPEC PLEASE REFER TO PS OF PS-2079019100.

ITEM	MATERIAL NO.	CABLE LENGTH "L1"	CABLE LENGTH "L2"
1	2079019050	29.70mm	50mm
2	2079019100	79.70mm	100mm
3	2079019200	179.70mm	200mm
4	2079019300	279.70mm	300mm

THIS DRAWING CONTAINS INFORMATION THAT IS PROPRIETARY TO MOLEX ELECTRONIC TECHNOLOGIES, LLC AND SHOULD NOT BE USED WITHOUT WRITTEN PERMISSION

DIMENSION UNITS <b>mm</b>	SCALE <b>1:1</b>	CURRENT REV DESC: REMOVED OBSOLETE PART NUMBERS AS PER PCN#514494	<b>molex</b>		
GENERAL TOLERANCES (UNLESS SPECIFIED)					
ANGULAR TOL ± 2.0°	EC NO: 770993		PRODUCT CUSTOMER DRAWING		
4 PLACES ±	DRWN: MADHAM5 2023/11/24		DOCUMENT NUMBER		
3 PLACES ± 0.2	CHK'D: GGA 2023/12/25		2079019100		
2 PLACES ± 0.25	APPR: GGA 2023/12/25		DOC TYPE	DOC PART	REVISION
1 PLACE ± 0.3	INITIAL REVISION:		PSD	000	A1
0 PLACES ± 0.5	DRWN: KCHENG06 2022/05/11		SHEET NUMBER		
DRAFT WHERE APPLICABLE MUST REMAIN WITHIN DIMENSIONS	APPR: HORACM1 2022/05/13	THIRD ANGLE PROJECTION	MATERIAL NUMBER	CUSTOMER	1 OF 1
		DRAWING	207901	GENERAL MARKET	
		SERIES	SEE TABLE		
		A2-SIZE			