



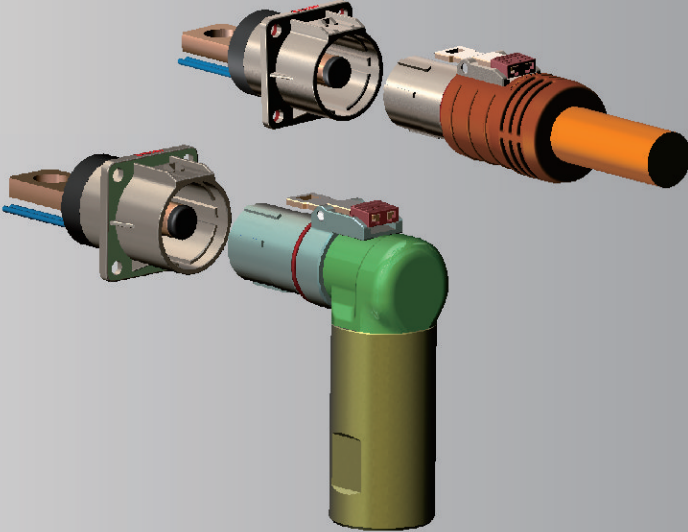
PowerLok™ Features

- Voltage Rating : 1000V DC
- Current Rating: 20 A~500 A
- Low Contact Resistance
- IP67 & Shielding
- Automatic Secondary Lock
- HVIL
- 1 - 3 Positions Available
- 90° and 180° Plug
- 5 Keys

Technical Data and Features

DC Current Rating	20 A~500 A	
DC Voltage Rating	1000V	
Temperature Range	-40°C to +125°C	
Flammability	UL94 V-0	
Mating Cycle	Min. 500	
Protection	IP67	
Shielding	Fully Shielding	
HVIL	Optional	
Multi Polarization	5 Keys	

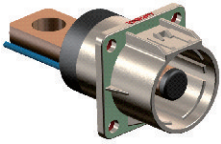
PowerLok™ Recommended Cable Size and Current Rating

Current Rating of Connector (A)	Accepted Cbl Size (mm ²)	Current Rating of Cable (A)	
60 Series	2.5	20	
	4	25	
	6	35	
	10	60	
120 Series	16	90	
	25	120	
300 Series	35	150	
	50	200	
	70	250	
	95	300	
500 Series	70	250	
	95	300	
	120	400	
	150	500	

PowerLok™ Products Overview

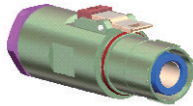
PowerLok™ 1-Position Products

Receptacle:



120 Series/300 Series/500 Series Available

Plug:



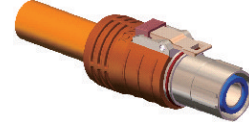
Straight



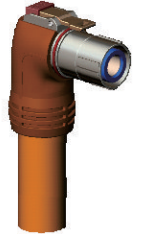
Right Angle

120 Series / 300 Series Available

Overmolded Plug:



Straight

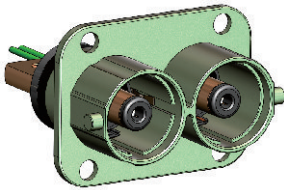


Right Angle

120 Series / 300 Series / 500 Series Available

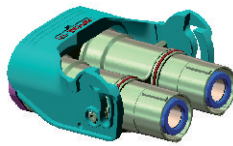
PowerLok™ 2-Position Products

Receptacle:

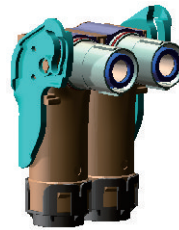


120 Series/300 Series Available

Plug:



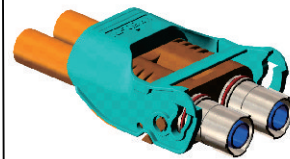
Straight



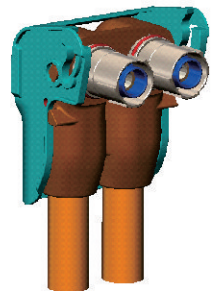
Right Angle

300 Series Available

Overmolded Plug:



Straight

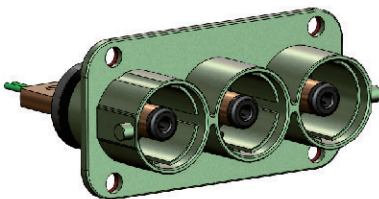


Right Angle

120 Series Available

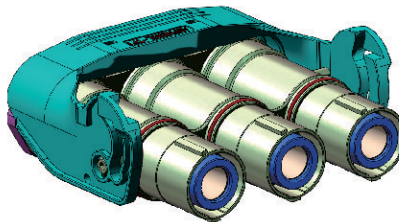
PowerLok™ 3-Position Products

Receptacle:



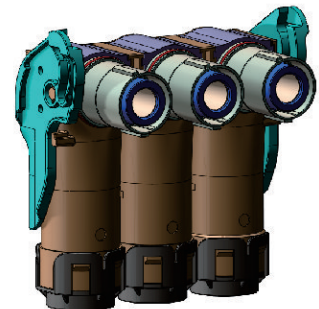
300 Series Available

Straight Plug:



300 Series Available

Right Angle Plug:

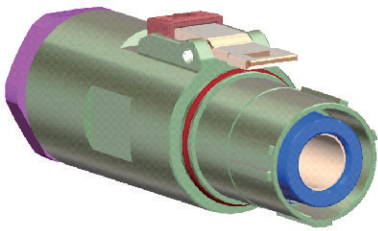


300 Series Available

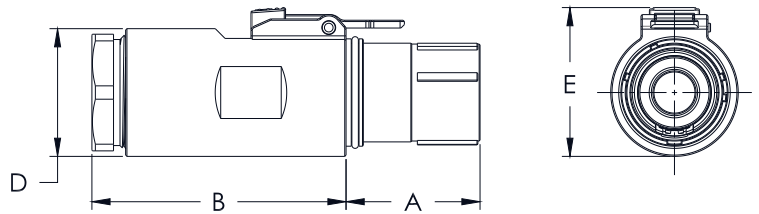
Amphenol

PowerLok™ 1 POS Products

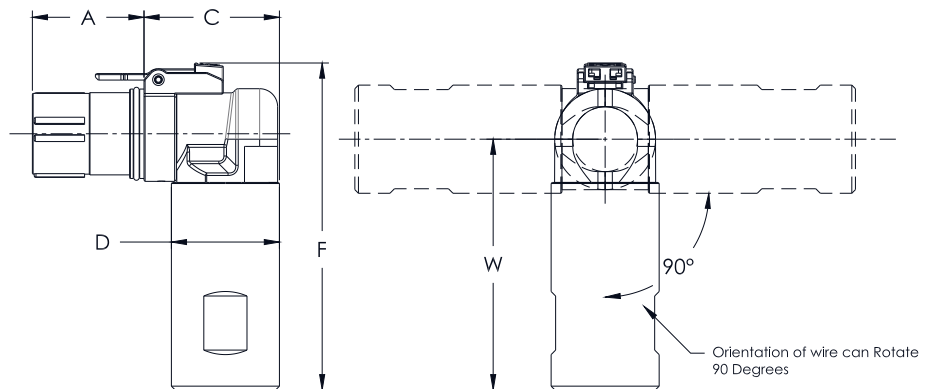
PowerLok™ 1POS Plug Connector



1 POS Plug Straight



1 POS Plug Right Angle



PowerLok™ 1POS Plug Connector Parameter

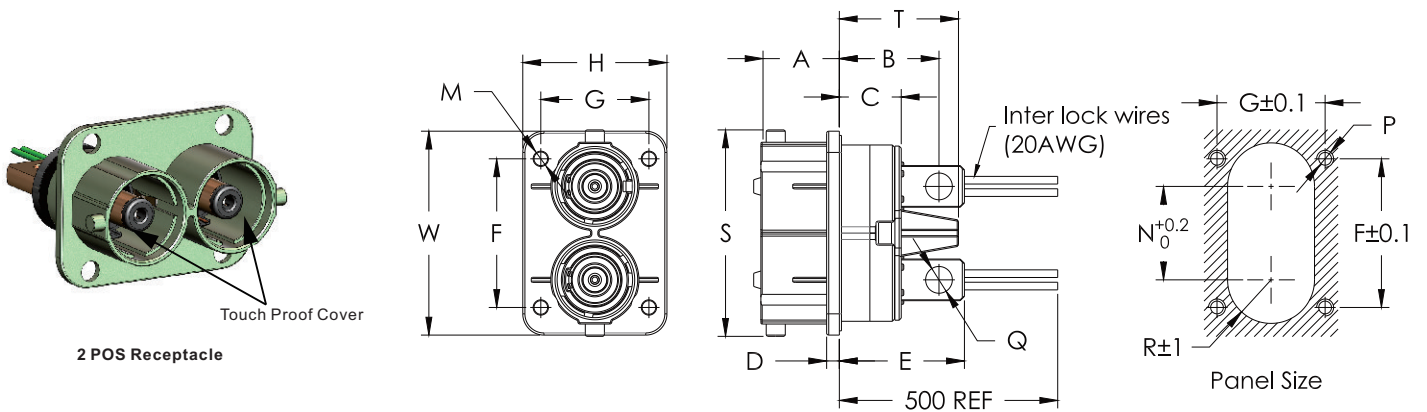
Series	PowerLok™ 1POS Plug Connector Size						
	A (mm)	B (mm)	C (mm)	D (mm)	E (mm)	F (mm)	W (mm)
120	22.5	45.0	30.0	Φ 18.0	24.8	69.3	53.5
300	31.0	58.8	37.6	Φ 29.5	34.4	90.6	71.0

Ordering Example

Powerlok™	PL	18	X	-	300	-	70
(A) Connector Type	: Plug Connector, Straight						
(B) Polarization & Color	: 1POS Key "X", Orange						
(C) Series	: 300						
(D) Cable Size	: 70mm ²						

PowerLok™ 2 POS Products

PowerLok™ 2POS Receptacle



PowerLok™ 2 POS Receptacle Parameter

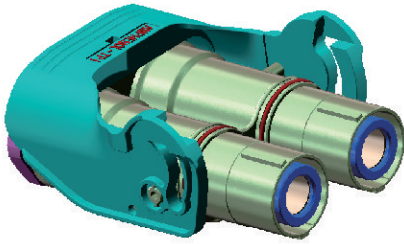
Series	PowerLok™ 2POS Receptacle Size															
	A (mm)	B (mm)	C (mm)	D (mm)	E (mm)	F (mm)	G (mm)	H (mm)	M (mm)	N (mm)	P	S (mm)	T (mm)	W (mm)	R (mm)	Q
120	18.0	23.5	14.6	3.0	29.5	35.0	25.5	34.0	Φ 3.6	22.0	M3	48.6	27.8	48.0	10.3	TBD
300	22.0	35.0	20.7	3.0	43.0	45.0	38.0	48.0	Φ 6.2	30.0	M6	65.4	44.7	65.0	13.8	

Ordering Example

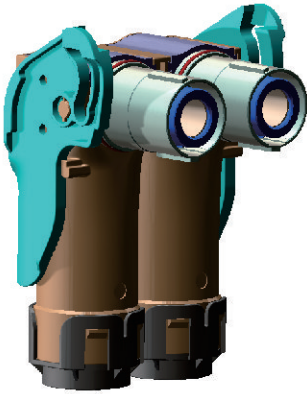
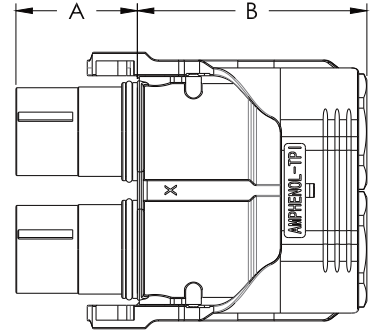
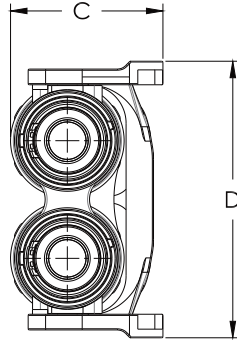
Powerlok™	PL	08	2X	- 300	- 10	M10
(A) Connector Type	: Receptacle					
(B) Polarization & Color	: 2 POS Key "X", Orange					
(C) Series	: 300					
(D) Termination Type	: Lug					
(E) Stud Size	: Screw Hole, M10					

PowerLok™ 2 POS Products

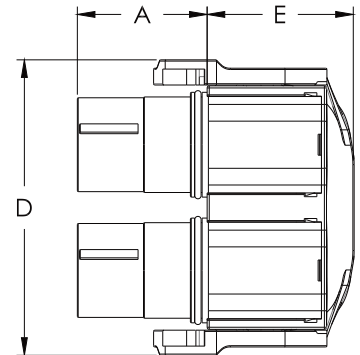
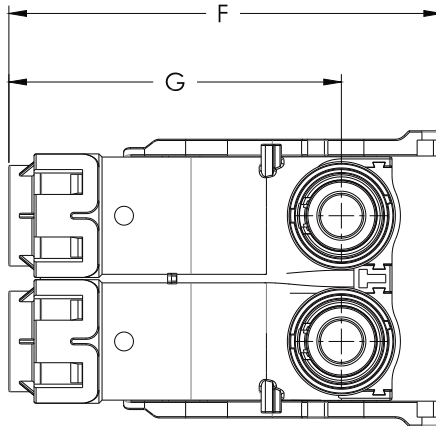
PowerLok™ 2POS Plug Connector



2 POS Plug Straight



2 POS Plug Right Angle



PowerLok™ 2POS Plug Connector Parameter

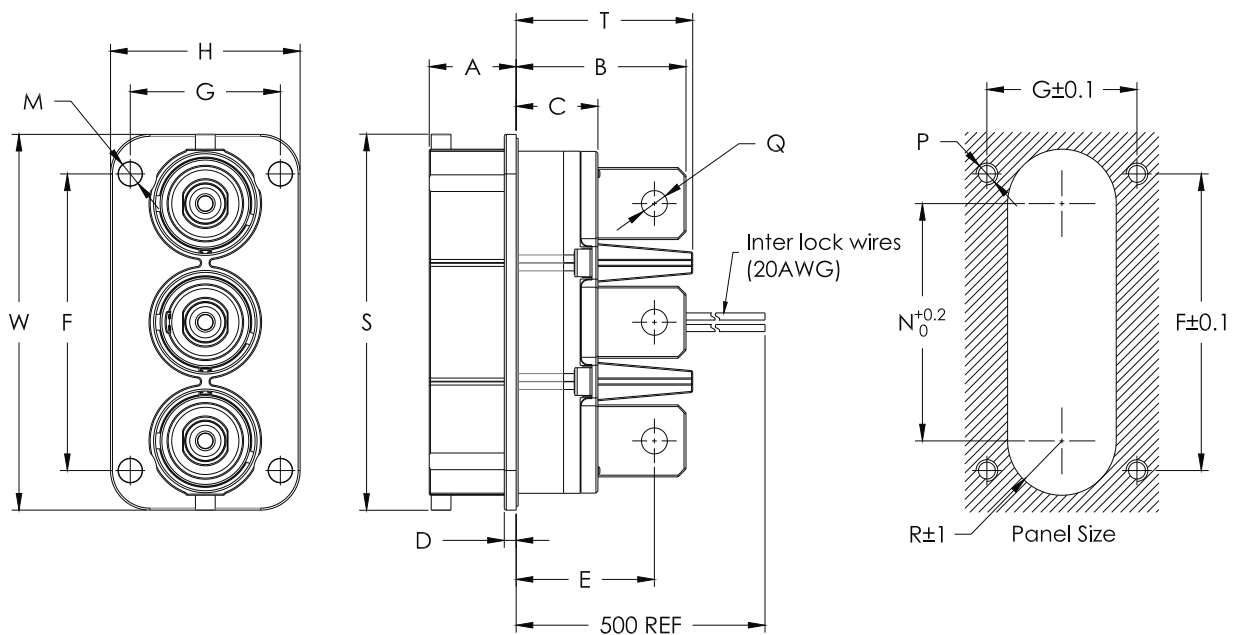
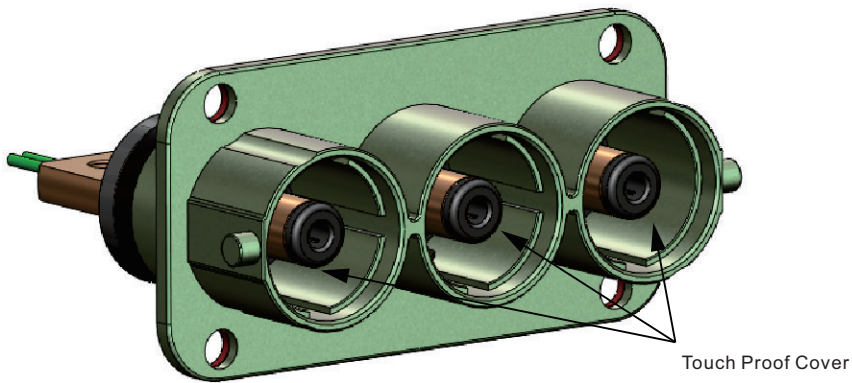
Series	PowerLok™ 2POS Plug Connector Size						
	A (mm)	B (mm)	C (mm)	D (mm)	E (mm)	F (mm)	G (mm)
120	22.5	51.0	29.7	51.5	31.2	64.0	43.0
300	31.0	58.6	38.8	70.5	34.9	103.3	79.4

Ordering Example

Powerlok™	PL	18	2X	-	300	-70
(A) Connector Type	: Plug Connector, Straight					
(B) Polarization & Color	: 2 POS Key "X"					
(C) Series	: 300					
(D) Cable Size	: 70mm ²					

PowerLok™ 3 POS Products

PowerLok™ 3POS Receptacle



PowerLok™ 3 POS Receptacle Parameter

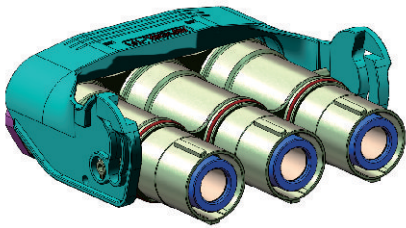
Series	PowerLok™ 3POS Receptacle Size															
	A (mm)	B (mm)	C (mm)	D (mm)	E (mm)	F (mm)	G (mm)	H (mm)	M (mm)	N (mm)	P	S (mm)	T (mm)	W (mm)	R (mm)	Q
300	22.0	43.0	21.2	3.0	35.0	75.0	38.0	48.0	Φ6.2	60.0	M6	95.1	44.7	95.0	13.8	TBD

Ordering Example

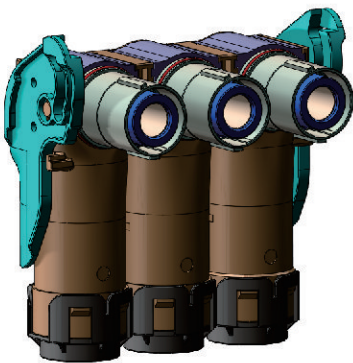
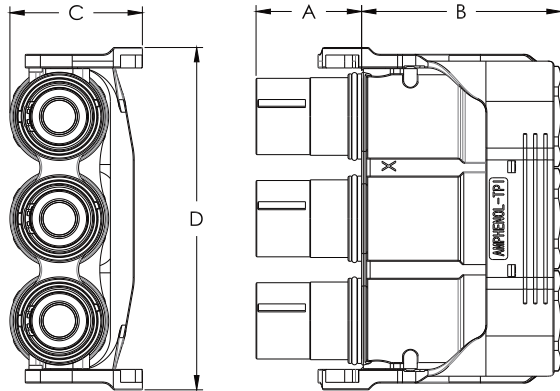
Powerlok™	PL	08	3X	-	300	-	10	M10
(A) Connector Type	: Receptacle							
(B) Polarization & Color	: 3 POS Key "X"							
(C) Series	: 300							
(D) Termination Type	: Lug							
(E) Stud Size	: Screw Hole, M10							

PowerLok™ 3 POS Products

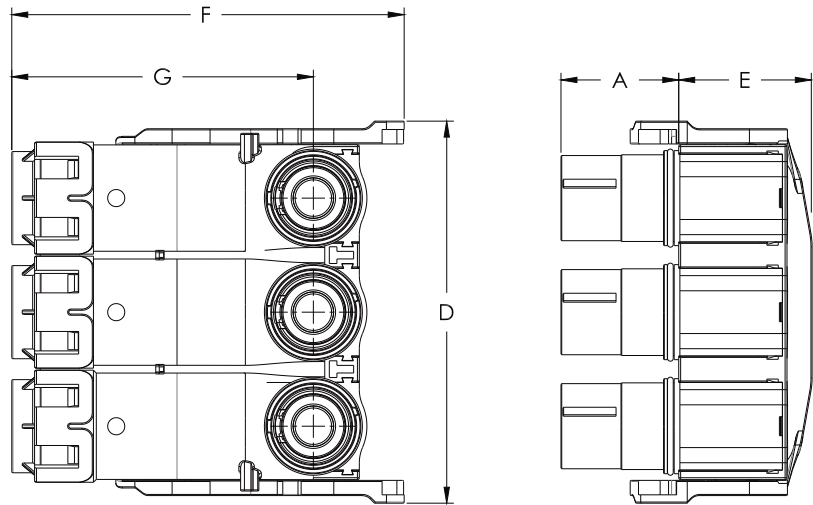
PowerLok™ 3POS Plug Connector



3 POS Plug Straight



3 POS Plug Right Angle



PowerLok™ 3POS Plug Connector Parameter

Series	PowerLok™ 3POS Plug Shielding Parameter						
	A (mm)	B (mm)	C (mm)	D (mm)	E (mm)	F (mm)	G (mm)
300	31.0	58.6	38.9	100.5	34.9	103.3	79.4

Ordering Example

Powerlok™	PL	18	3X	-	300	-70
(A) Connector Type	: Plug Connector, Straight					
(B) Polarization & Color	: 3 POS Key "X"					
(C) Series	: 300					
(D) Cable Size	: 70mm ²					

PowerLok™ Ordering Information

PowerLok™ Receptacle Ordering Information

Product Type		(A) Connector Type		(B) Polarization & (Touch Proof Cover) color		(C) Series		(D) Termination Type		(E) Termination Size	
PL	PowerLok™	00	1 POS Receptacle	X	Key "X" Orange	120	120 Series	10	Lug	M+Stud Size	Screw Hole
		08	2 POS & 3 POS Receptacle	Y	Key "Y" Black	121	120 Series with HVIL	20	Thread Pin	D+Stud Size	Through Hole
				U	Key "U" Yellow	300	300 Series	30	Crimping Lug	M+Thread Size	Thread Size
				V	Key "V" Green	301	300 Series with HVIL	90	90D Lug		
				W	Key "W" Red	500	500 Series				
				2X	2 POS ,Key "X"	501	500 Series with HVIL				
				2Y	2 POS ,Key "Y"						
				3X	3 POS ,Key "X"						
		3Y	3 POS ,Key "Y"								

PowerLok™ Plug Ordering Information

Product Type		(A) Plug Type		(B) Polarization		(C) Series		(D) Cable Size (mm ²)	
PL	PowerLok™	10	Overmolded Cble Assembly, Straight	X	1 POS ,Key "X" Orange	120	120 Series	Refer to "PowerLok™ Recommended Cable Size & Current Rating" Chart	
		20	Overmolded Cble Assembly, Right Angle	Y	1 POS ,Key "Y" Black	121	120 Series With HVIL		
		18	Plug Connector, Straight	U	1 POS ,Key "U" Yellow	300	300 Series		
		28	Plug Connector, Right Angle	V	1 POS ,Key "V" Green	301	300 Series with HVIL		
				W	1 POS ,Key "W" Red	500	500 Series		
				2X	2 POS ,Key "X"	501	500 Series with HVIL		
				2Y	2 POS ,Key "Y"				
				3X	3 POS ,Key "X"				
		3Y	3 POS ,Key "Y"						

The information contained in this data sheet is for reference only.

Notice: Specifications are subject to change without notice. Contact your nearest Amphenol Corporation Sales Office for the latest specifications. All statements, information and data given herein are believed to be accurate and reliable but are presented without guarantee, warranty, or responsibility of any kind, expressed or implied. Statements of suggestions concerning possible use of our products are made without representation or warranty that any such use is free of patent infringement and are not recommendations to infringe any patent. The user should assume that all safety measures are indicated or that other measures may not be required. Specifications are typical and may not apply to all connectors. AMPHENOL is a registered trademark of Amphenol Corporation.

For further information on your individual application requirements, contact: Amphenol Corporation

Amphenol Technical Products
International Co.
2110 Notre Dame Avenue Winnipeg, MB
Canada R3H 0K1
Telephone: 1-204-697-2222
Fax: 1-204-694-6164
www.tpil.com

Amphenol Sincere Flex Circuits Co., Ltd.
No. A, WanAn Industrial Park LanHe Town, Nansha
District, Guangzhou - China 511480
Telephone: 020-3483-9801
Fax: 020-3483-9800
www.amphenol-gasf.com

Amphenol Industrial Operations
40-60 Delaware Street Sindy, New York
13838-1395 - USA
Telephone: 020-3483-9801
Fax: 020-3483-9800
www.amphenol-industrial.com

Mouser Electronics

Authorized Distributor

Click to View Pricing, Inventory, Delivery & Lifecycle Information:

Amphenol:

[PL182Y-301-35](#) [PL182X-301-35](#) [PL28X-301-70](#) [PL182X-301-70](#) [PL282X-301-70](#) [PL183X-301-70](#) [PL183X-301-50](#)
[PL00W-301-10D8](#) [PL083X-301-10D8](#) [PL00W-301-10D10](#) [PL18W-301-50](#) [PL00X-301-10D8](#) [PL182X-301-50](#) [PL18W-](#)
[301-70](#) [PL18Y-301-70](#) [PL00Y-301-10D10](#) [PL00Y-301-10D8](#) [PL184X-41-6](#) [PL184X-41-4](#) [PL283X-301-50](#) [PL283X-](#)
[301-70](#) [PL282X-301-50](#) [PL084X-41-6](#) [PL084X-41-4](#) [PL00X-301-10D10](#) [PL28Y-301-70](#) [PL28W-301-70](#) [PL28W-301-](#)
[50](#) [PL28Y-301-50](#) [PL28X-301-50](#) [PL18V-301-50](#) [PL00V-501-10D10](#) [PL00W-501-10D10](#) [PL00X-501-10D10](#) [PL00Y-](#)
[501-10D10](#) [PL00U-501-10D10](#) [PL283Y-301-70](#) [PL28U-301-50](#) [PL28U-301-70](#) [PL28V-301-50](#) [PL28V-301-70](#)
[PL18U-301-50](#) [PL18U-301-70](#) [PL18V-301-70](#) [PL282Y-301-50](#) [PL282Y-301-70](#) [PL283Y-301-50](#) [PL183Y-301-50](#)
[PL183Y-301-70](#) [PL184U-41-4](#) [PL184U-41-6](#) [PL184Y-41-4](#) [PL184Y-41-6](#) [PL182Y-301-70](#) [PL083Y-301-10D8](#)
[PL084U-41-4](#) [PL084U-41-6](#) [PL084Y-41-4](#) [PL084Y-41-6](#) [PL182Y-301-50](#) [PL00U-301-10D8](#) [PL00V-301-10D8](#)
[PL082X-300-10-M10](#) [PL182X-300-50](#) [PL282X-300-50](#) [PL082X-300-10M8](#) [PL00Y-500-20M10](#) [PL00V-301-10D10](#)
[PL00U-301-10D10](#) [PL283X-301-25](#) [PL282X-301-25](#) [PL00X-500-20M10](#) [PL083X-301-10M8](#)