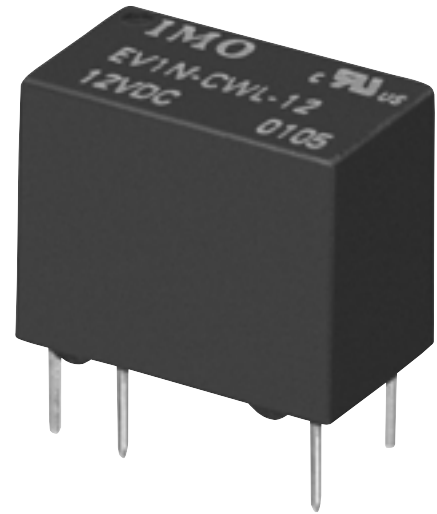


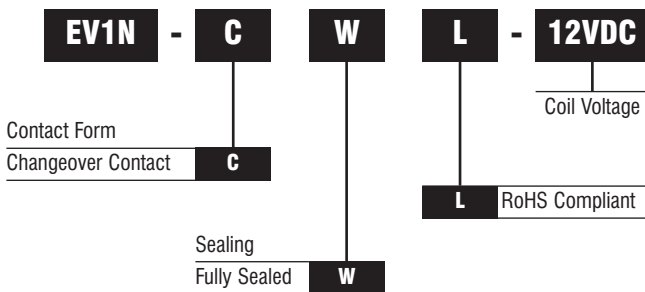
Subminiature Signal Relay EV1N



- 1 Form C (SPCO)
- Fully sealed for immersion cleaning
- Ultra Small Size
- High Coil Sensitivity 150mW
- UL/CUR recognised
- RoHS Compliant



Options and ordering codes



Contact Data

Contact arrangement	1C
Initial contact Res. max	100mΩ (at 1A 6VDC)
Contact material	AgNi + Au clad
Contact Rating (Res. Load)	0.3A 60VAC/0.5A 125VAC/1A 30VDC
Max. switching voltage	125VAC/60VDC
Max. switching current	2A
Max. switching power	62.5VA/30W
Min. permissible load	5V, 1mA
Mechanical Life	1x10 ⁶ OPS (3000PS/min)
Electrical Life	1x10 ⁶ OPS (300PS/min)

Characteristics

Initial Insulation Resistance	1000MΩ 500VDC	
Dielectric Strength	Between coil & contact	1000VAC 1min.
	Between open contacts	400VAC 1min.
Operate time (at nomi. Volt)	Max. 5ms	
Release time (at nomi. Volt)	Max. 5ms	
Bounce time (at nomi. Volt)	Max. 5ms	
Temperature rise (at nomi. Volt)	Max. 55°C	
Shock resistance	100m/s ²	
Vibration resistance	10 to 55Hz 3.3mm	
Humidity	35% to 85%	
Ambient temperature	-30°C to +70°C	
Unit weight	2.2g	
Termination	PCB	
Construction	Sealed IP67	

Coil

Coil power	150mW
------------	-------

Coil specification

Nominal Voltage VDC	Pick-up Voltage VDC	Drop-out Voltage VDC	Coil Current (at 20°C) mA	Coil Resistance (at 20°C) Ω
1.5	1.2	0.15	100	15±10%
3	2.4	0.3	50	60±10%
5	4	0.5	29.9	167±10%
6	4.8	0.6	25	240±10%
9	7.2	0.9	16.7	540±10%
12	9.6	1.2	12.5	960±10%
24	19.2	2.4	6.25	3840±10%

Safety Approval Ratings

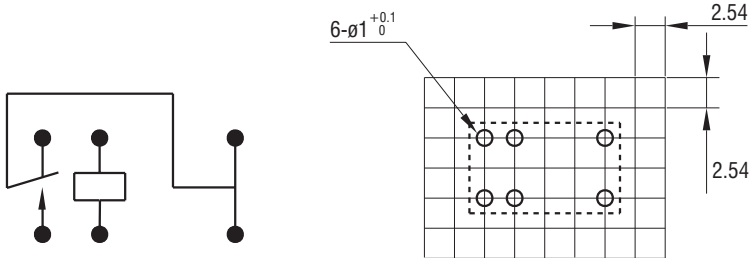
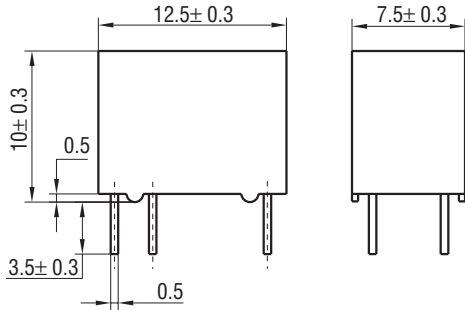
UL	1.0A 30VDC 0.3A 60VDC 0.5A 125VAC
----	---

Subminiature Signal Relay EV1N



Outline Dimensions (mm)

Wiring diagram and PC Board layout



Characteristic Curve

