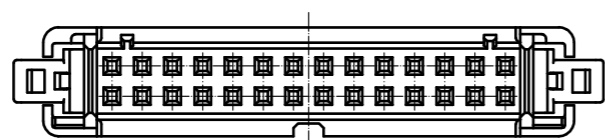
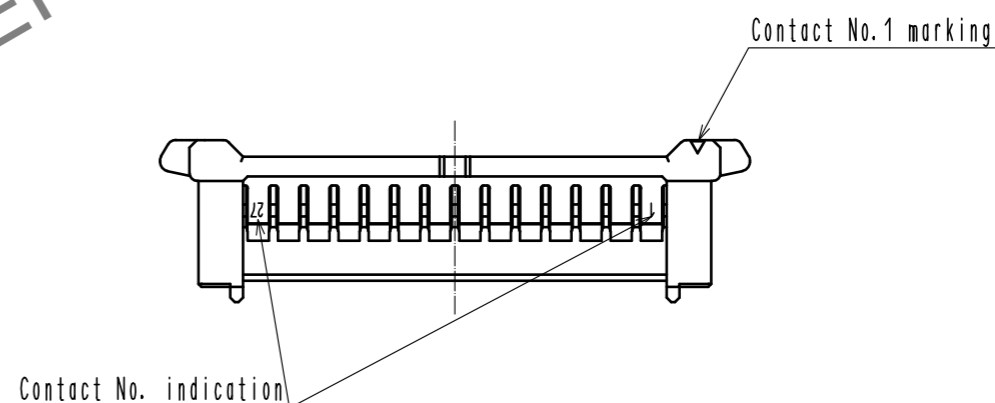
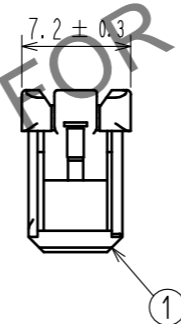
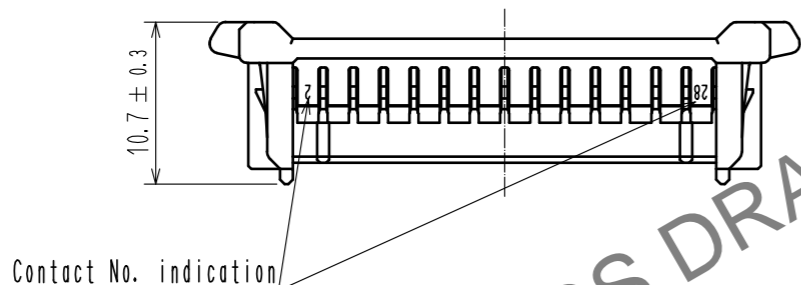
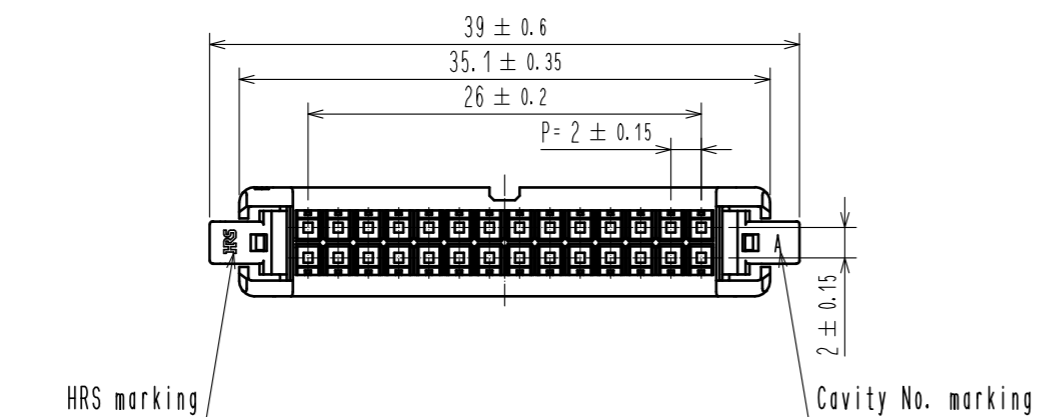


Jul.1.2024 Copyright 2024 HIROSE ELECTRIC CO., LTD. All Rights Reserved.
 In case of consideration for using Automotive equipment / device which demand high reliability, kindly contact our sales window correspondents.



HRS DRAWING FOR REFERENCE

Note 1. Per pack : 100 pieces.
 △2. UL(File No.E52653),
 C-UL(File No.E52653) authorization article.



| | | | | | | | | |
|--------------------------------------|--|-------------------------|--------------|--|--|-----------------------|-------------------|------------------|
| NO. | | MATERIAL | | FINISH . REMARKS | | 1 | PBT | UL94V-0. BLACK |
| UNITS mm | | SCALE 2 : 1 | COUNT △ 1 | DESCRIPTION OF REVISIONS DIS-H-00004451 | | DESIGNED TS.MIYAKI | CHECKED SZ.ONO | DATE 20181126 |
| HRS HIROSE ELECTRIC CO., LTD. | | APPROVED : HS. OKAWA | 20160707 | DRAWING NO. EDC-362066-00-00 | | | | |
| | | CHECKED : YN. TAKASHITA | 20160707 | PART NO. DF51-28DS-2C | | | | |
| | | DESIGNED : TT. OHSAKO | 20160707 | CODE NO. CL543-5042-7-00 | | | | |
| | | DRAWN : TT. OHSAKO | 20160707 | | | △ 1/1 | | |