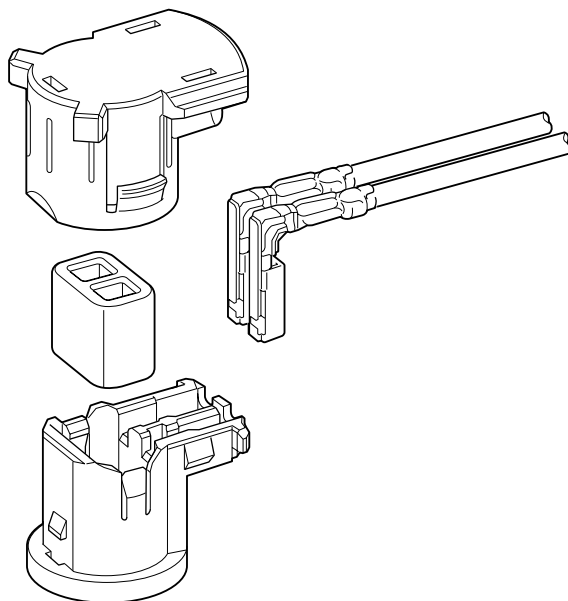


SQF CONNECTOR

Squib connectors



This connector for air-bag is simple, compact and not easy to come off without CPA.



Features

● Compact design

Miniaturized in total length and height compared to the conventional connector for air-bag.

This connector can fix in the outer diameter 20mm or less of an inflator.

● Mating

Designed to fix into the fix-in type inflator pocket.

● Terminal construction

It is designed to prevent the deformation of the contact part when processing wire harness by protecting the contact part of each terminal with a box.

● Noise suppression

Ferrite core provides simple and reliable noise suppression characteristics.

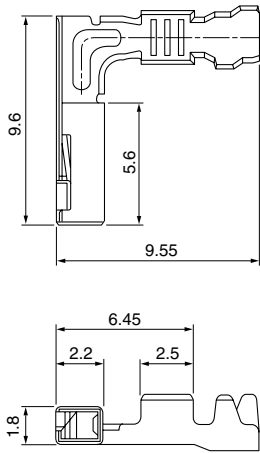
Specifications

- Temperature range: -30°C to $+80^{\circ}\text{C}$
(including temperature rise in applying electrical current)
- Insulation resistance: $100\text{M}\Omega$ min.
- Applicable wire: 0.3mm^2 to 0.5mm^2

* Compliant with ELV/RoHS.

* Contact JST for details.

Female terminal

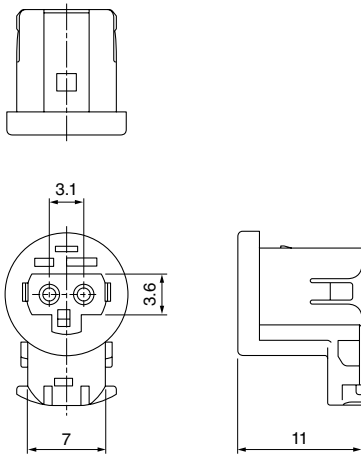


Model No.	Applicable wire range		Q'ty/reel
	Conductor (mm ²)	Insulation O.D. (mm)	
SSQF-A03GF-P-P	0.3 to 0.5	1.0 to 1.6	6,500

Material and Finish

Copper alloy, nickel-undercoated, Contact area; gold-plated

Female housing

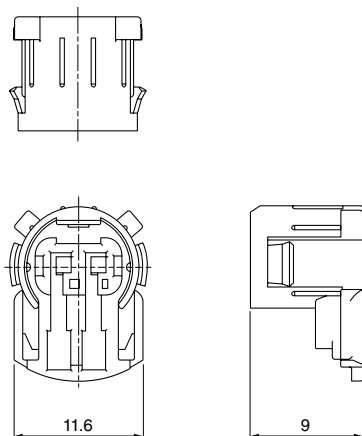


Circuits	Model No.	Q'ty/box	Color
2	SQFR-02H-1A-Y	1,000	Yellow
	SQFR-02H-1B-M	1,000	Green
	SQFR-02H-1C-D	1,000	Orange

Material

PBT

Cover housing



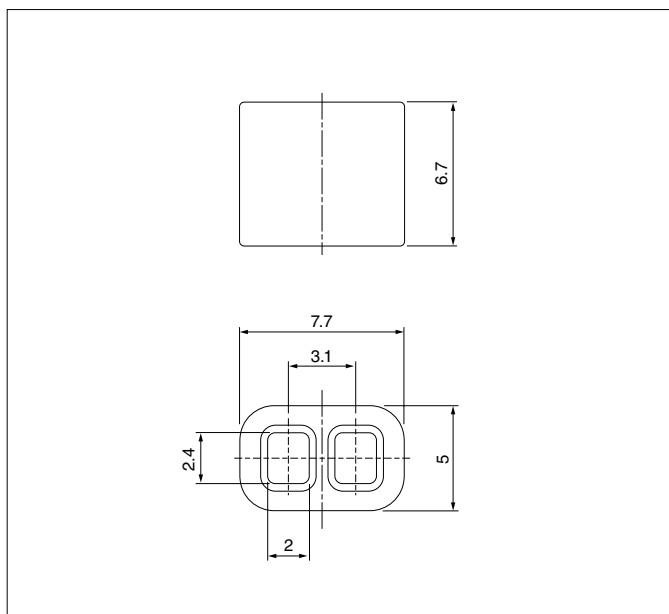
Circuits	Model No.	Q'ty/box	Color
2	SQFL-02H-1A-Y	1,000	Yellow
	SQFL-02H-1B-M	1,000	Green
	SQFL-02H-1C-D	1,000	Orange

Material

PBT

SQF CONNECTOR

Ferrite



Circuits	Model No.	Q'ty/box
2	SQFF-02-1A	3,000

Crimping machine, Applicator

Strip terminal	Crimping machine	Crimp applicator MKS-L	
		Dies	Crimp applicator with dies
SSQF-A03GF-P-P	AP-K2N	MK/SQS-A03-P	APLMK SQS-A03-P

Note: When crimping operation is conducted using an applicator and die set other than the above, JST cannot guarantee the performance of the terminal.

Mouser Electronics

Authorized Distributor

Click to View Pricing, Inventory, Delivery & Lifecycle Information:

JST:

[SQFR-02H-1A-Y](#) [SSQF-A03GF-P-P](#) [SQFL-02H-1A-Y](#) [SQFF-02-1A](#) [SQFR-02H-1B-M](#) [SQFR-02H-1C-D](#)