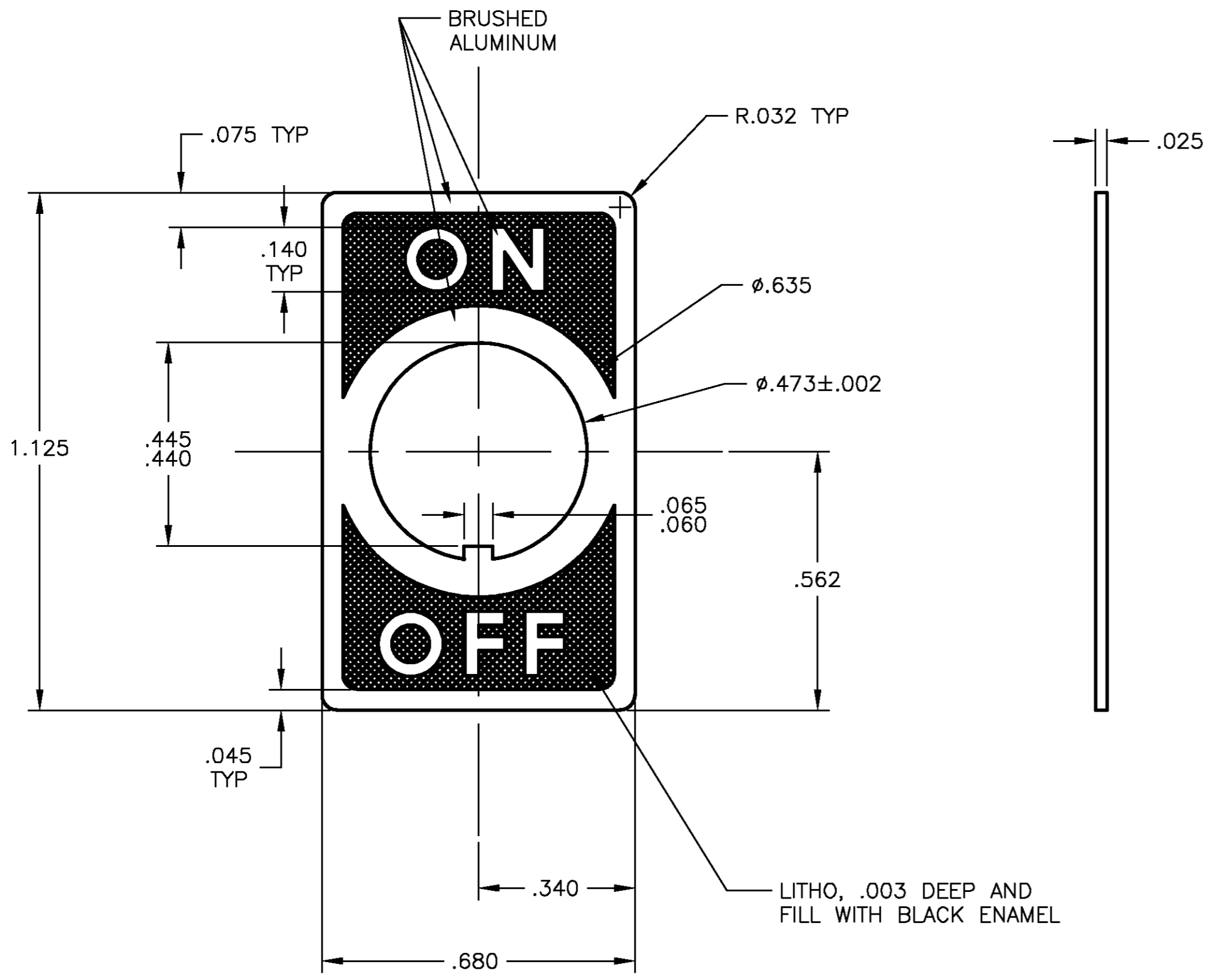
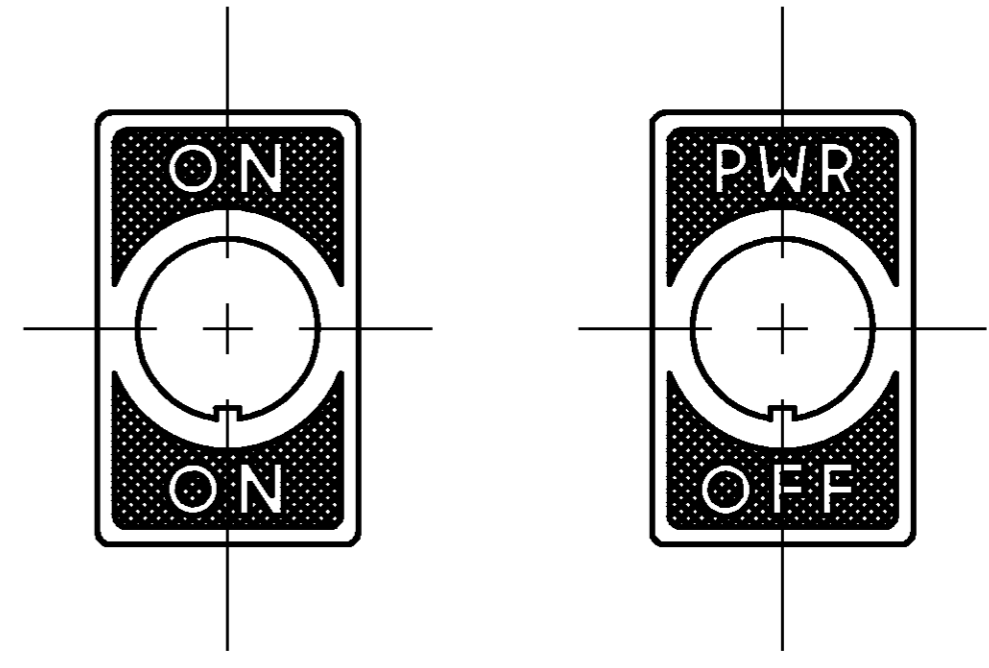


THIS DRAWING IS UNPUBLISHED. RELEASED FOR PUBLICATION  
 © COPYRIGHT BY TYCO ELECTRONICS CORPORATION. ALL RIGHTS RESERVED.

| LDC |     | DIST                 |  | REVISIONS |     |      |  |
|-----|-----|----------------------|--|-----------|-----|------|--|
| P   | LTR | DESCRIPTION          |  | DATE      | DWN | APVD |  |
| A   |     | REV PER OG3C-0242-02 |  | 19NOV02   | RB  | MZ   |  |



SPA-42



SCALE 2:1

|              |              |
|--------------|--------------|
| SPA-43       | 2-1437628-7  |
| SPA-42       | 2-1437628-6  |
| SPA-41       | 2-1437628-5  |
| ALCO PT. NO. | TYCO PT. NO. |

|  |              |                            |  |                    |
|--|--------------|----------------------------|--|--------------------|
| THIS DRAWING IS A CONTROLLED DOCUMENT. |              | DWN<br>R BROWN<br>19NOV02  | Tyco Electronics Corporation<br>Harrisburg, PA |                    |
| DIMENSIONS:<br>INCHES                  |              | GHK<br>M ZITTO<br>19NOV02  | NAME<br>SWITCH PLATE<br>SPA 41, 42 & 43        |                    |
| TOLERANCES UNLESS OTHERWISE SPECIFIED: |              | APVD<br>M ZITTO<br>19NOV02 | SIZE<br>A2                                     | CAGE CODE<br>00779 |
| 0 PLC ± -                              | 1 PLC ± -    | PRODUCT SPEC               | DRAWING NO<br>C-2-1437628-5                    | RESTRICTED TO      |
| 2 PLC ± -                              | 3 PLC ± .005 | APPLICATION SPEC           | SCALE<br>4:1                                   | SHEET<br>1 OF 1    |
| 4 PLC ± -                              | ANGLES ± -   | WEIGHT                     | REV<br>A                                       |                    |
| MATERIAL                               | FINISH       | CUSTOMER DRAWING           |  |                    |

2-1437628-5

# Mouser Electronics

Authorized Distributor

Click to View Pricing, Inventory, Delivery & Lifecycle Information:

[TE Connectivity:](#)

[SPA41](#)