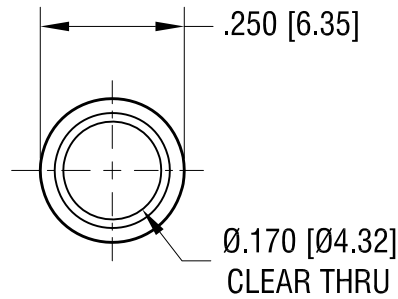
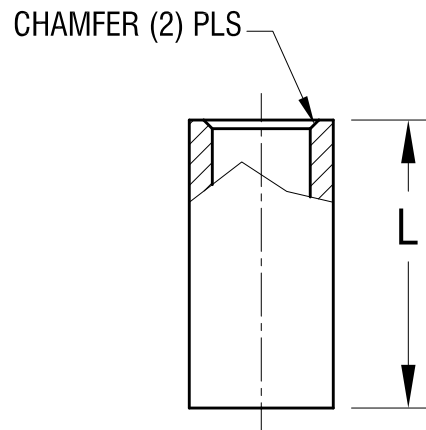


THIS DOCUMENT IS THE PROPERTY OF
KEYSTONE ELECTRONICS CORP. AND
SHALL NOT BE REPRODUCED, DISTRIBUTED
OR USED AS A BASIS FOR MANUFACTURE
WITHOUT PRIOR WRITTEN PERMISSION
FROM KEYSTONE ELECTRONICS CORP.

ACTUAL SIZE



PART 3473



PART NO.	'L' DIM.
3471	.250 [6.35]
3472	.375 [9.52]
3473	.500 [12.70]
3474	.750 [19.05]
3475	1.000 [25.4]
3476	1.500 [38.10]
3477	2.000 [50.80]

KEYSTONE ELECTRONICS CORP.

www.keyelco.com • NEW HYDE PARK, NY 11040 • Tel (516) 328-7500

PART NAME		CLEAR THRU-HOLE SPACER	
MATERIAL		LEAD FREE ALUMINUM	
FINISH		DRN BY	DATE
CLEAR IRIDIUM		BOONE	2.12.98
		APP'D	SCALE
		RH	3X
TOLERANCES	INCH [MM]	CODE	DWG NO.
DECIMAL	± .005 [± 0.13]	C	3471 - 3477
ANGULAR	± 1°		
UNLESS OTHERWISE SPECIFIED			

10.13.23	CHANGE AS PER ECN 23-200	A
DATE	DESCRIPTION	REV.