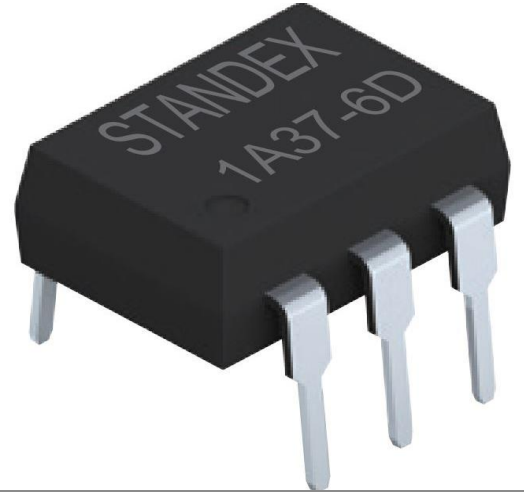


# 37 Series Photo-MOSFET Relay

- **Features:** General Purpose Photo MOSFET Relay, switching up to 60V DC or Peak AC
- THT, SMD or SOP; UL listed, RoHS Compliance
- **Applications:** Battery Management Systems, I/O Modules, Test Equipment
- **Markets:** Automotive, Telecommunication, Test & Measurement, Security



Part Description: **SMP-XA37-XXX-X**

Number of Poles	Contact Form	Series Number	Number of Pins	Mounting Type	Package Style	Special Features
1, 2	A	37	4, 6, 8	D, S, P	Tube, Reel	Nil, Q, R

See page 7 for Glossary

## Maximum Ratings @ Ambient Temperature = 25°C

Parameters	Symbol	Value					Units	Condition
		1A37-4P	2A37-8P	1A37-4D, S	2A37-8D, S	1A37-6D, S		
<b>INPUT SPECIFICATIONS</b>								
Continuous LED Current	$I_F$	50	50	50	50	50	mA	-
Peak LED Current	$I_{FP}$	500	500	500	500	500	mA	f=100Hz, 1% Duty Cycle
LED Reverse Voltage	$V_R$	5	5	5	5	5	V	-
Input Power Dissipation	$P_{IN}$	75	75	75	75	75	mW	-
<b>OUTPUT SPECIFICATIONS</b>								
Load Voltage	$V_L$	60	60	60	60	60	DC or Peak AC	-
Load Current	$I_L$	500	450	550	500	550	mA	-
Peak Load Current	$I_{PEAK}$	2	2	2	2	2	mA	1 ms, 1 shot
Output Power Dissipation	$P_{OUT}$	300	450	450	600	450	mW	-
<b>GENERAL SPECIFICATIONS</b>								
Total Power Dissipation	$P_T$	350	500	500	650	500	mW	-
I/O Breakdown Voltage	$V_{I/O}$	1500	1500	3750	3750	3750	$V_{RMS}$	-
I/O Breakdown Voltage	$V_{I/O}$	3750	3750	5000	5000	5000	$V_{RMS}$	Suffix R
Operating Temperature	$T_{OPR}$	-40/+85	-40/+85	-40/+85	-40/+85	-40/+85	°C	-
Storage Temperature	$T_{STG}$	-40/+100	-40/+100	-40/+100	-40/+100	-40/+100	°C	-



RoHS

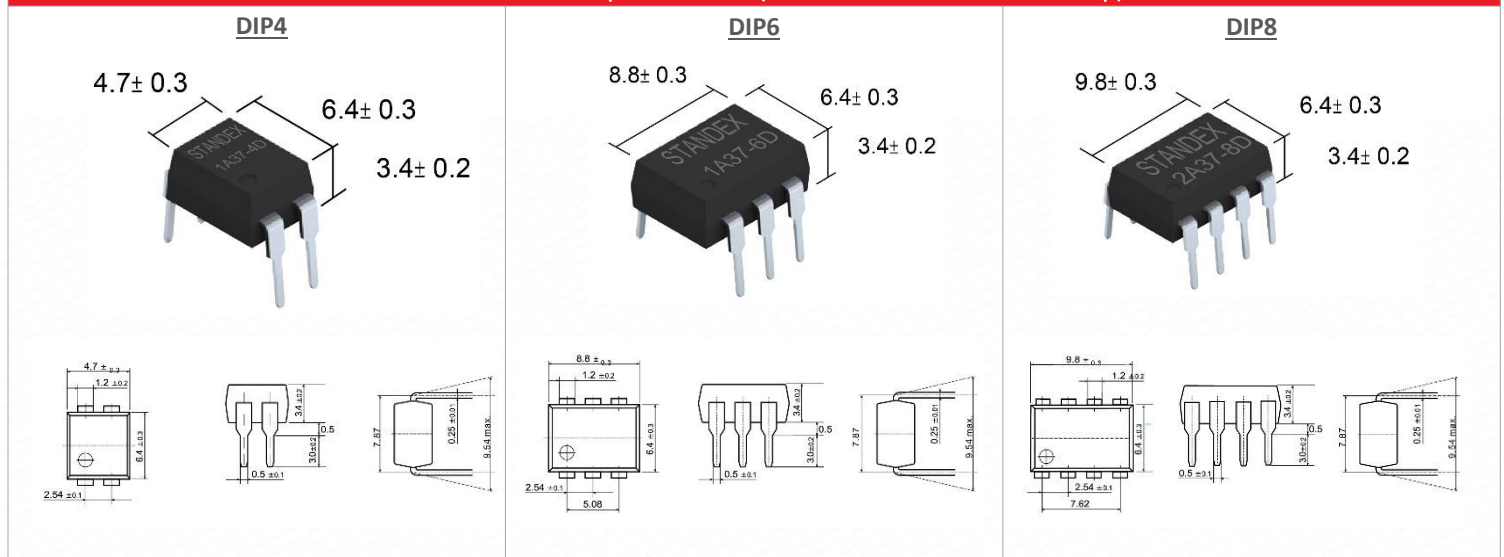
REACH  
COMPLIANT

# 37 Series Photo-MOSFET Relay

## Maximum Ratings @ Ambient Temperature = 25°C

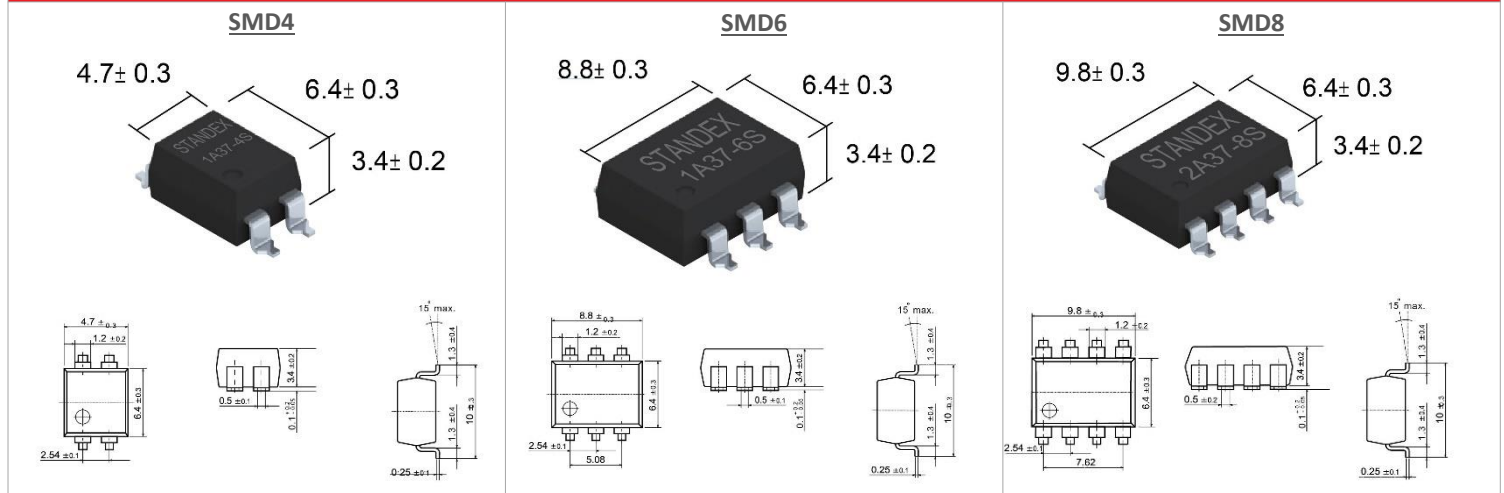
Parameters	Symbol	Min	Typ	Max	Units	Condition
<b>INPUT SPECIFICATIONS</b>						
LED Forward Voltage	$V_F$	1.0	1.17	1.5	V	$I_F = 10\text{mA}$
Operation LED Current	$I_{F\text{ ON}}$	-	0.9	3.0	mA	-
Recovery LED Voltage	$V_{F\text{ OFF}}$	0.5	1.0	-	V	-
<b>OUTPUT SPECIFICATIONS</b>						
On Resistance: Drain to Drain	$R_{\text{ON}}$	-	0.75	1.6	$\Omega$	$I_F = 5\text{mA}, I_L = \text{Rating (within 1 sec.)}$
Off-State Leakage Current	$I_{\text{LEAK}}$	-	0.08	1.0	$\mu\text{A}$	$V_L = 60\text{V}$
Output Capacitance	$C_{\text{OUT}}$	-	45	-	$\rho\text{F}$	-
<b>TRANSMISSION SPECIFICATIONS</b>						
Turn-On Time	$T_{\text{ON}}$	-	0.25	0.5	ms	$I_F = 5\text{mA}, I_L = \text{Rating (for SOP type)}$
Turn-Off Time	$T_{\text{OFF}}$	-	0.05	0.2	ms	
Turn-On Time	$T_{\text{ON}}$	-	0.2	1.0	ms	$I_F = 10\text{mA}, I_L = \text{Rating (for DIP/SMD type)}$
Turn-Off Time	$T_{\text{OFF}}$	-	0.05	0.5	ms	
<b>COUPLED SPECIFICATIONS</b>						
I/O Insulation Resistance	$R_{\text{I/O}}$	$10^9$	-	-	$\Omega$	-
I/O Capacitance	$C_{\text{I/O}}$	-	1.3	-	$\rho\text{F}$	$f = 1\text{MHz}$

## Photo-MOSFET Relay Dimensions (Tolerances acc. to ISO 2768-mp)

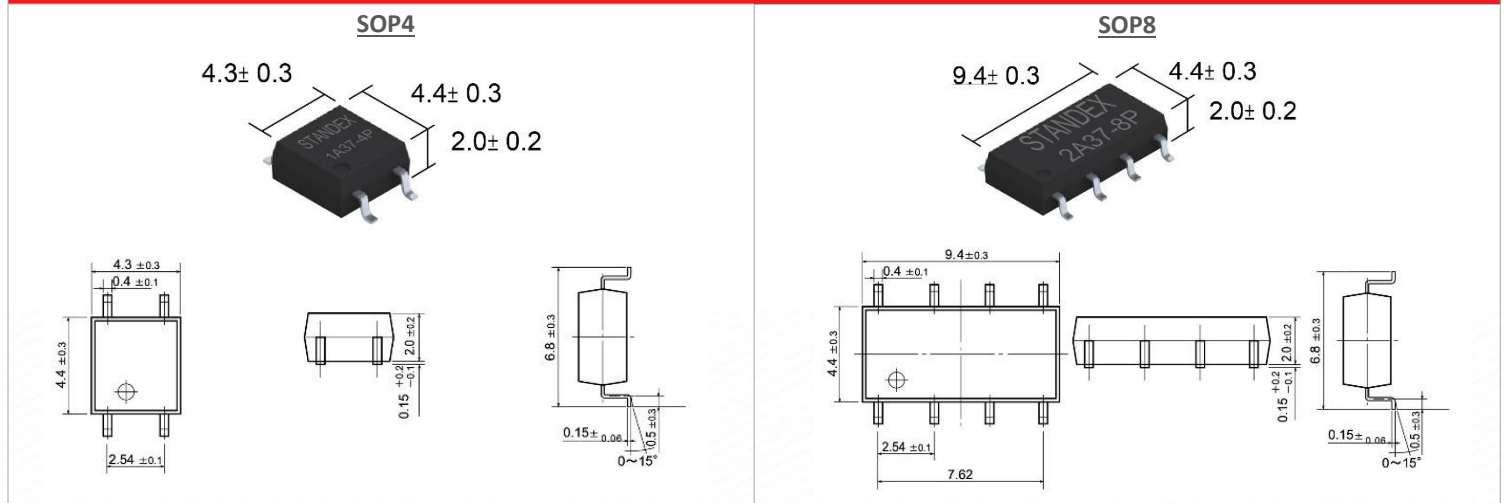


# 37 Series Photo-MOSFET Relay

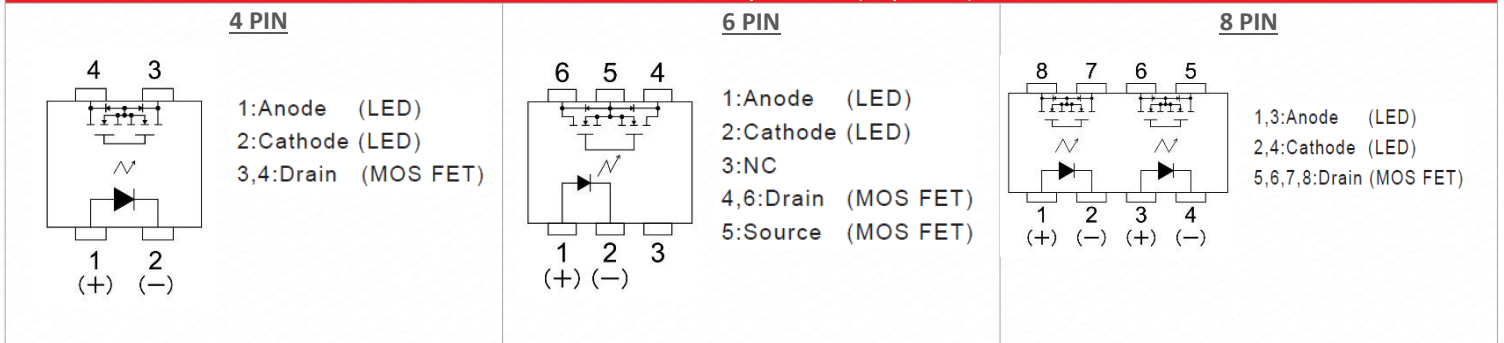
## Photo-MOSFET Relay Dimensions (Tolerances acc. to ISO 2768-mp)



## Photo-MOSFET Relay Dimensions (Tolerances acc. to ISO 2768-mp)

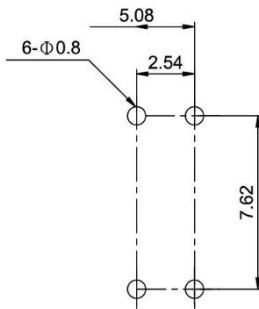
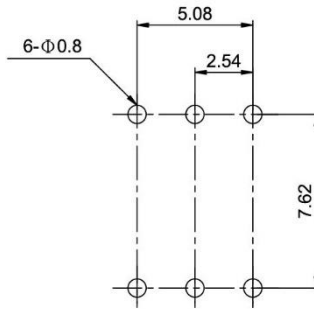
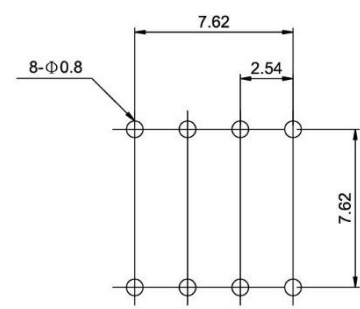
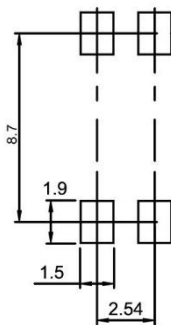
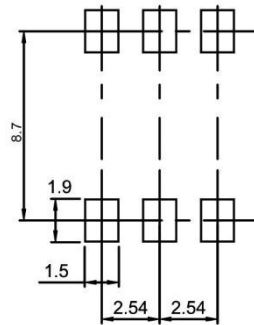
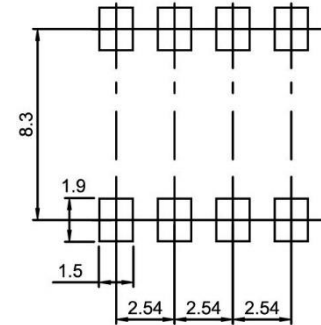
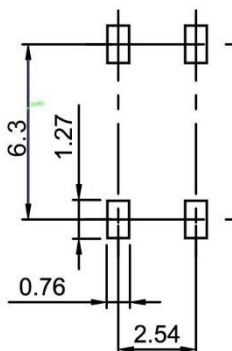
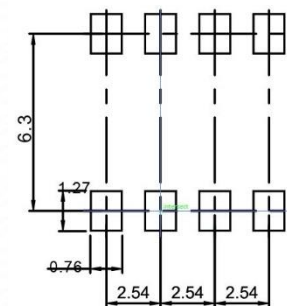


## Photo MOSFET Relay Pin-Out (Top View)

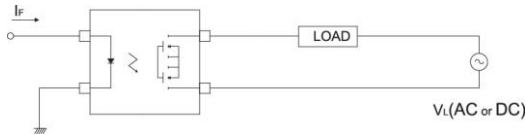
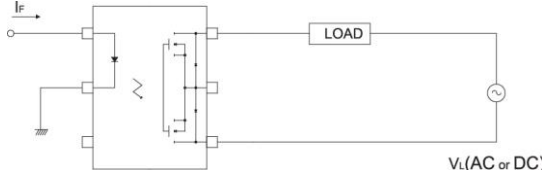
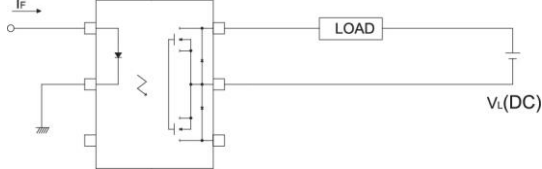
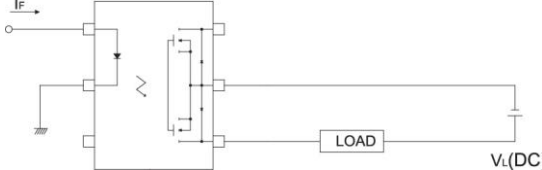
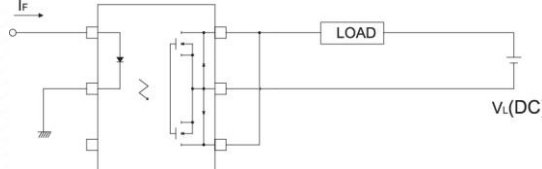
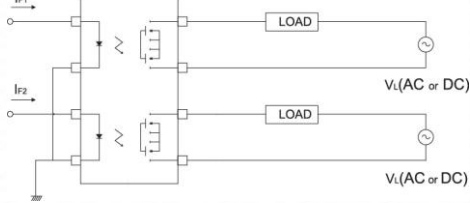
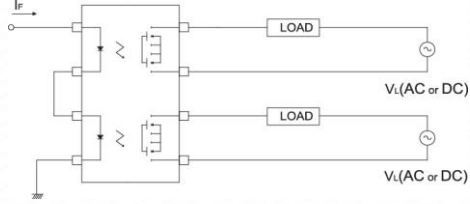


# 37 Series Photo-MOSFET Relay

## Photo MOSFET Relay Recommended PCB Pad Layout (Tolerances acc. to ISO 2768-mp)

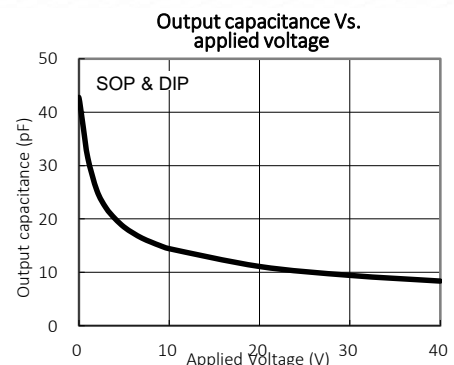
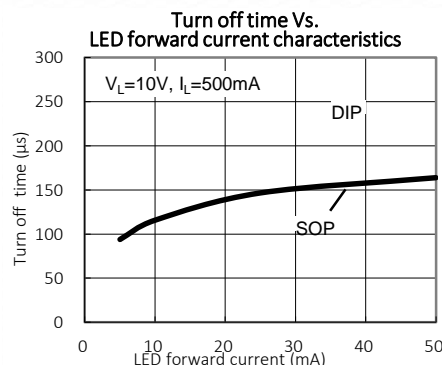
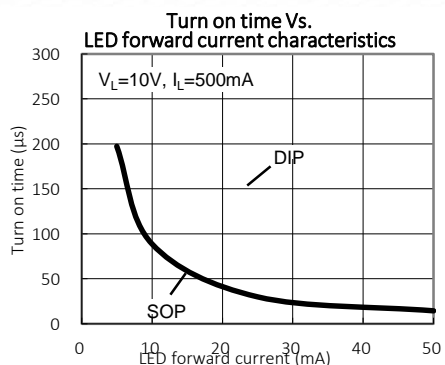
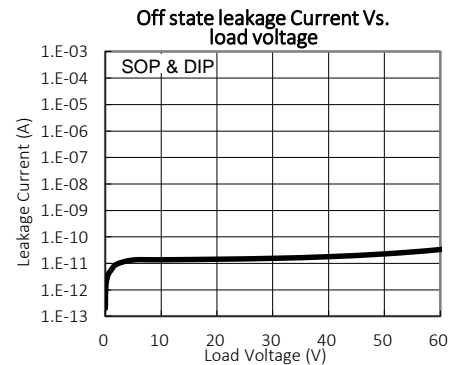
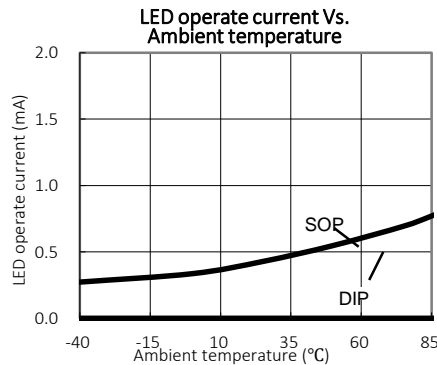
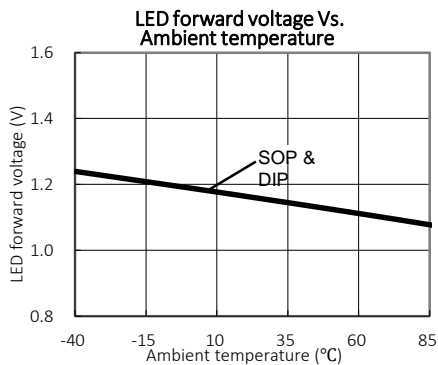
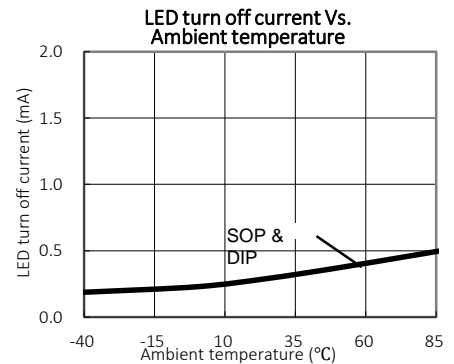
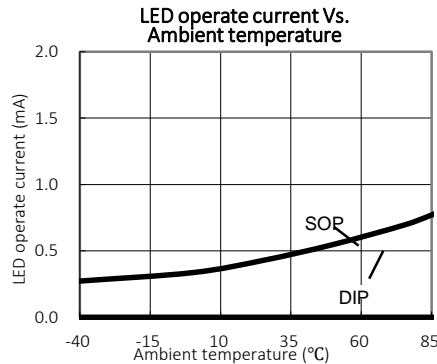
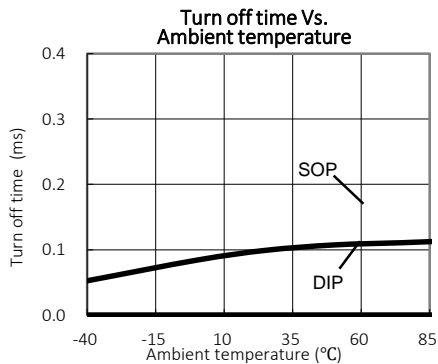
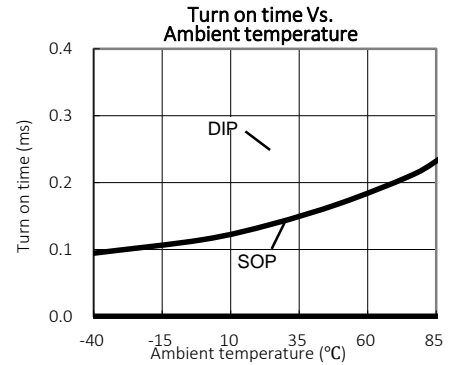
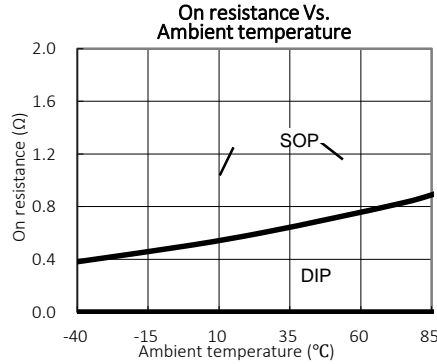
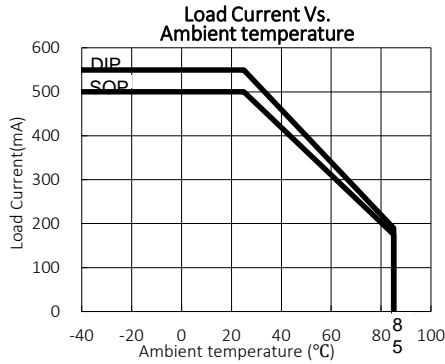
**DIP4 (Bottom View)**

**DIP6 (Bottom View)**

**DIP8 (Bottom View)**

**SMD4 (Top View)**

**SMD6 (Top View)**

**SMD8 (Top View)**

**SOP4 (Top View)**

**SOP8 (Top View)**


# 37 Series Photo-MOSFET Relay

Photo-MOSFET Relay Load Connection Method			
TYPE	LOAD	CONNECTION	FEATURE
4-PIN	AC OR DC		Control bi-directional signal
6-PIN	AC OR DC		Control bi-directional signal
	DC		On-Resistance is 1/2 of connection 1
			2-Make-contacts (Source Common)
DC		On-Resistance is 1/2 of connection 2	
8-PIN	AC OR DC		2 inputs and 2 outputs
			1 input and 2 outputs

# 37 Series Photo-MOSFET Relay

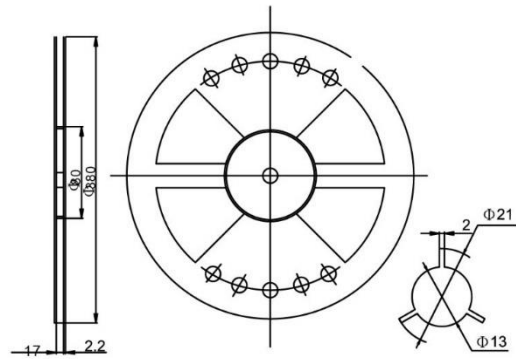
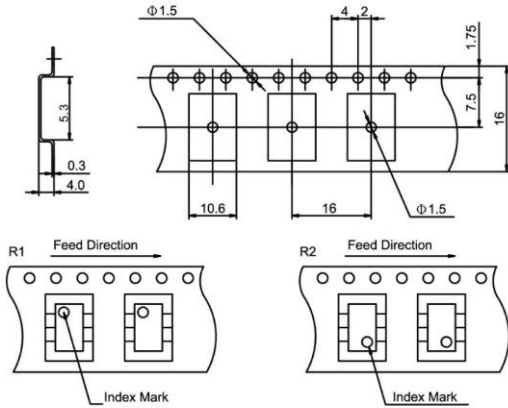
## Photo MOSFET Relay Reference Data



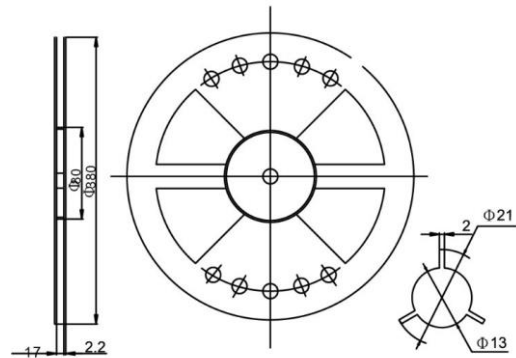
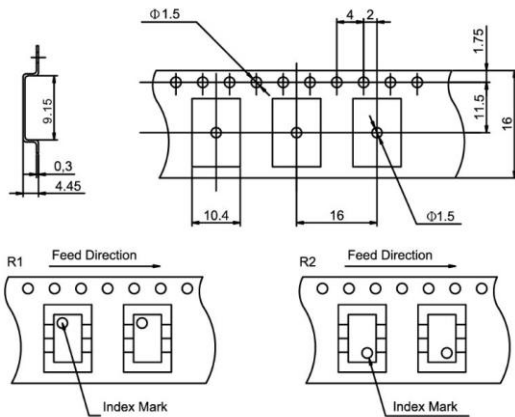
# 37 Series Photo-MOSFET Relay

Photo MOSFET Relay Tape & Reel Packaging (1,000 pcs per reel)

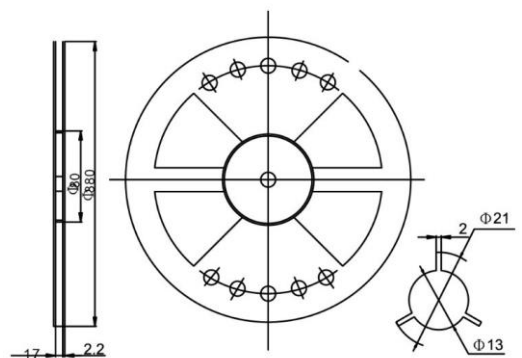
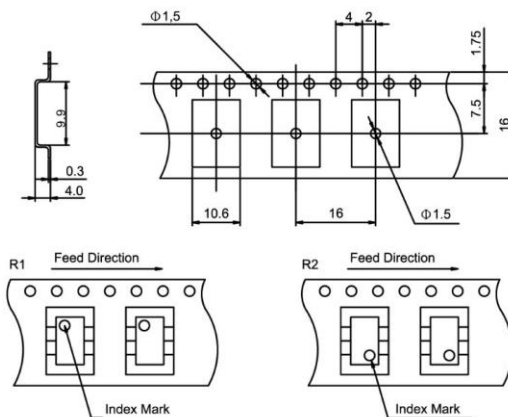
**SMD4**



**SMD6**



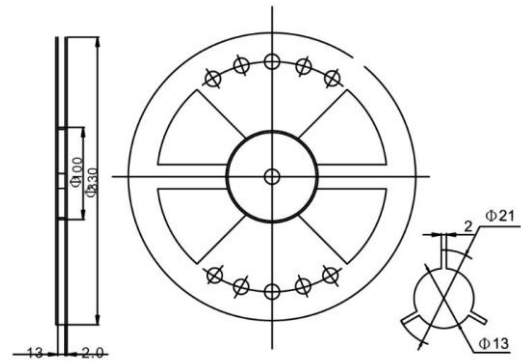
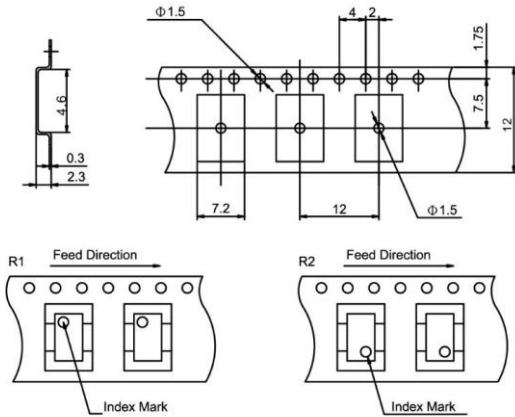
**SMD8**



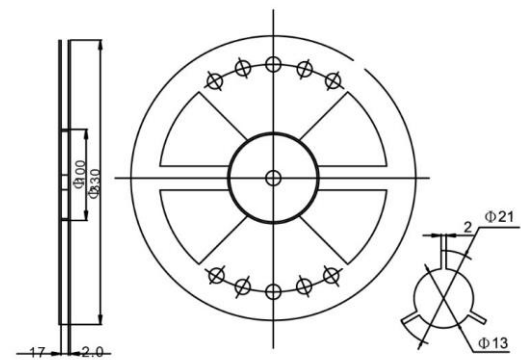
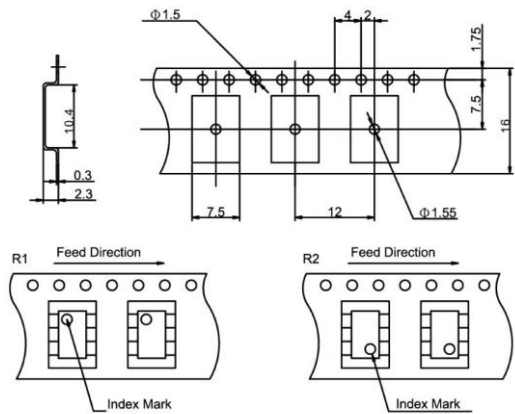
# 37 Series Photo-MOSFET Relay

## Photo MOSFET Relay Tape & Reel Packaging (1,000 pcs per reel)

### SOP4



### SOP8



### Glossary Options

D	DIP (Dual-In-Line Package)
S	SMD (Surface Mount Design)
P	SOP (Small-Outline Package)
Q	AEC-Q101 / High Temperature
R	Reinforced Isolation

**Please note:** All technical specifications in this series datasheet refer to the standard product range. Modifications in the sense of technical progress are reserved. For general information only. For more specific information, please consult the product datasheet, available upon request.

This series datasheet could contain technical inaccuracies or typographical errors. Changes are periodically made to the information herein. These changes will be incorporated in future revisions.

For deviating values, latest specifications and product details, please contact your nearest sales office.