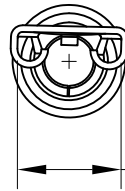
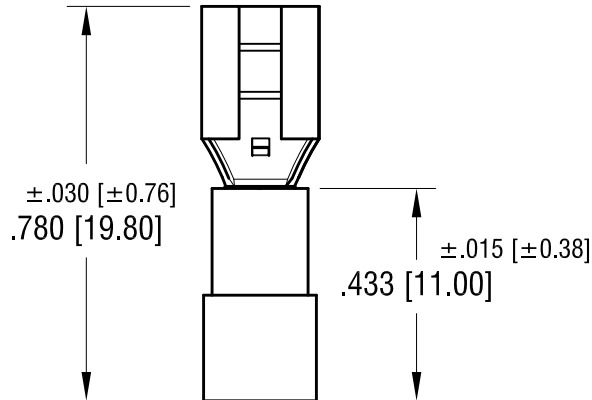


THIS DOCUMENT IS THE PROPERTY OF
KEYSTONE ELECTRONICS CORP. AND
SHALL NOT BE REPRODUCED, DISTRIBUTED
OR USED AS A BASIS FOR MANUFACTURE
WITHOUT PRIOR WRITTEN PERMISSION
FROM KEYSTONE ELECTRONICS CORP.

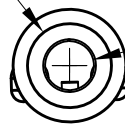
ACTUAL SIZE



MATES WITH
← .187 [4.8] x .020 [0.51]
MALE TAB



FOR Ø.145 [Ø3.68] MAX.
WIRE INSULATION DIA.



Ø.098 [Ø2.50]
I.D.

NOTE:

1. TERMINAL: BRASS, TIN PLATE
INSULATOR: VINYL, BLUE
2. ACCOMMODATES WIRE RANGE 16/14 AWG

KEYSTONE ELECTRONICS CORP.			
www.keyelco.com • NEW HYDE PARK, NY 11040 • Tel (516) 328-7500			
PART NAME			
INSULATED QUICK-FIT TERMINAL			
MATERIAL			
AS NOTED			
FINISH		DRN BY	DATE
AS NOTED		NT	8.19.08
		APP'D	SCALE
		RH	2.5X
TOLERANCES	INCH [MM]	CODE	DWG NO.
DECIMAL	± .010 [± 0.25]	C	8278
ANGULAR	± 1°		
UNLESS OTHERWISE SPECIFIED			

7.18.23	UPDATE PER NEW TOOLING CHANGE AS PER ECN 23-124	B
8.04.21	TERMINAL MAT'L WAS COPPER CHANGE AS PER ECN 21-077	A
DATE	DESCRIPTION	REV.