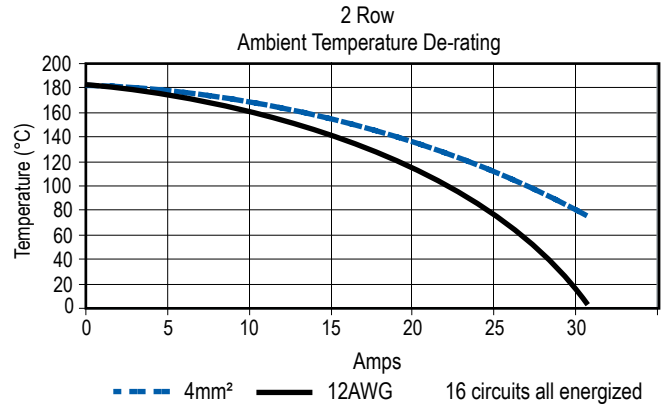
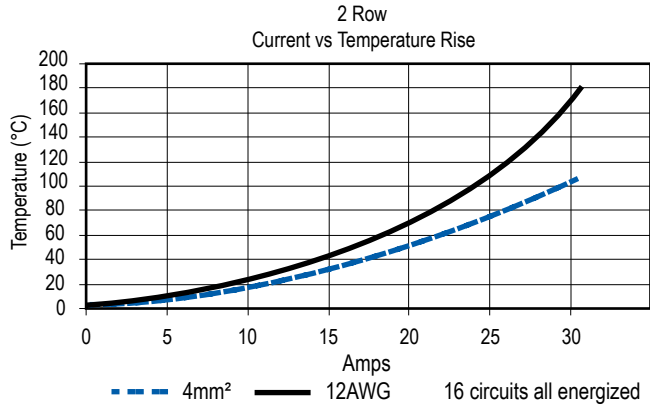




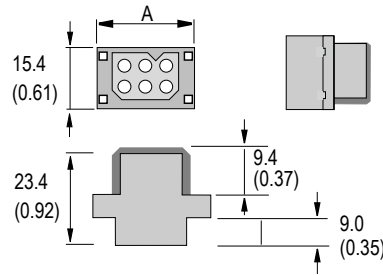
## TEMPERATURE RISE CHARTS



## DIMENSIONS - mm(in.)

### Cable Connector

| ROWS CONTACTS | -A-  |      |
|---------------|------|------|
|               | mm   | in.  |
| 2 - 06        | 28.5 | 1.12 |
| 2 - 08        | 33.5 | 1.32 |
| 2 - 12        | 43.5 | 1.71 |
| 2 - 16        | 53.5 | 2.11 |



See accessory section for panel clip and mounting clip cut-out dimensions.

## ORDERING INFORMATION

### Cable Connector

| Part Number | Description                |
|-------------|----------------------------|
| PM206FOOLOO | 2x3 FEMALE Cable Connector |
| PM208FOOLOO | 2x4 FEMALE Cable Connector |
| PM212FOOLOO | 2x6 FEMALE Cable Connector |
| PM216FOOLOO | 2x8 FEMALE Cable Connector |

### Panel Mount With Mounting Clip

| Part Number | Description                |
|-------------|----------------------------|
| PM206FOOLMC | 2x3 FEMALE Cable Connector |
| PM208FOOLMC | 2x4 FEMALE Cable Connector |
| PM212FOOLMC | 2x6 FEMALE Cable Connector |
| PM216FOOLMC | 2x8 FEMALE Cable Connector |

### With Clam Shell Hood & Strain Relief

| Part Number | Description                |
|-------------|----------------------------|
| PM206FOOLCH | 2x3 FEMALE Cable Connector |
| PM208FOOLCH | 2x4 FEMALE Cable Connector |
| PM212FOOLCH | 2x6 FEMALE Cable Connector |
| PM216FOOLCH | 2x8 FEMALE Cable Connector |

### Panel Mount With Screws

| Part Number | Description                |
|-------------|----------------------------|
| PM206FOOLSC | 2x3 FEMALE Cable Connector |
| PM208FOOLSC | 2x4 FEMALE Cable Connector |
| PM212FOOLSC | 2x6 FEMALE Cable Connector |
| PM216FOOLSC | 2x8 FEMALE Cable Connector |

### With Snap-in Panel Clip

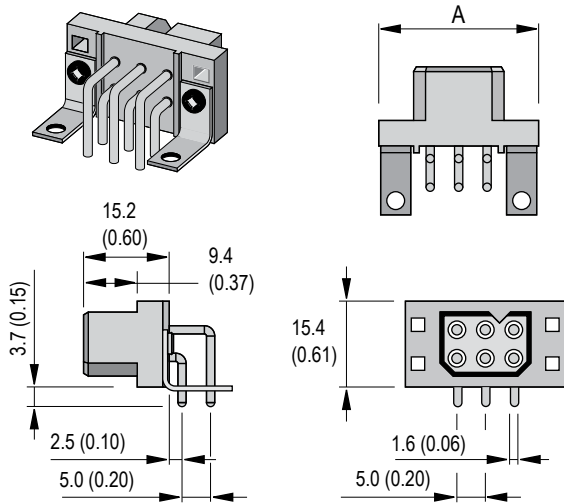
| Part Number | Description                |
|-------------|----------------------------|
| PM206FOOLPC | 2x3 FEMALE Cable Connector |
| PM208FOOLPC | 2x4 FEMALE Cable Connector |
| PM212FOOLPC | 2x6 FEMALE Cable Connector |
| PM216FOOLPC | 2x8 FEMALE Cable Connector |

### Crimp Contacts

| Part Number  | Description | Wire     |             |
|--------------|-------------|----------|-------------|
|              |             | AWG      | sq. mm      |
| PM16S2024S32 | Socket      | #24 / 20 | 0.50 / 0.75 |
| PM16S1620S32 | Socket      | #20 / 16 | 0.50 / 1.5  |
| PM16S1416S32 | Socket      | #16 / 14 | 1.5 / 2.5   |
| PM16S12S32   | Socket      | #12      | 2.5 / 4.0   |

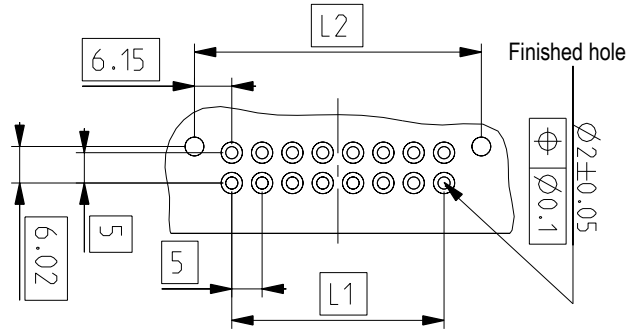
## DIMENSIONS - mm(in.)

### 2 Row - PCB Right Angle Connector



### 2 Row - PCB Hole Layout For Right Angle Connector

| ROWS CONTACTS | A    |      | L1 |      | L2   |      |
|---------------|------|------|----|------|------|------|
|               | mm   | in.  | mm | in.  | mm   | in.  |
| 2 - 06        | 28.5 | 1.12 | 10 | 0.39 | 22.3 | 0.88 |
| 2 - 08        | 33.5 | 1.32 | 15 | 0.59 | 27.3 | 1.07 |
| 2 - 12        | 43.5 | 1.71 | 25 | 0.98 | 37.3 | 1.47 |
| 2 - 16        | 53.5 | 2.11 | 35 | 1.38 | 47.3 | 1.86 |



## ORDERING INFORMATION

### With Latch

| Part Number | Description                       |
|-------------|-----------------------------------|
| PM206FRALOO | 2x3 FEMALE Right Angle PCB Solder |
| PM208FRALOO | 2x4 FEMALE Right Angle PCB Solder |
| PM212FRALOO | 2x6 FEMALE Right Angle PCB Solder |
| PM216FRALOO | 2x8 FEMALE Right Angle PCB Solder |

### No Latch

| Part Number | Description                       |
|-------------|-----------------------------------|
| PM206FRAOOO | 2x3 FEMALE Right Angle PCB Solder |
| PM208FRAOOO | 2x4 FEMALE Right Angle PCB Solder |
| PM212FRAOOO | 2x6 FEMALE Right Angle PCB Solder |
| PM216FRAOOO | 2x8 FEMALE Right Angle PCB Solder |

### Right Angle PCB Snap Bracket & Latch

| Part Number | Description                       |
|-------------|-----------------------------------|
| PM206FRALSB | 2x3 FEMALE Right Angle PCB Solder |
| PM208FRALSB | 2x4 FEMALE Right Angle PCB Solder |
| PM212FRALSB | 2x6 FEMALE Right Angle PCB Solder |
| PM216FRALSB | 2x8 FEMALE Right Angle PCB Solder |

### Right Angle PCB Snap Bracket & No Latch

| Part Number | Description                       |
|-------------|-----------------------------------|
| PM206FRAOSB | 2x3 FEMALE Right Angle PCB Solder |
| PM208FRAOSB | 2x4 FEMALE Right Angle PCB Solder |
| PM212FRAOSB | 2x6 FEMALE Right Angle PCB Solder |
| PM216FRAOSB | 2x8 FEMALE Right Angle PCB Solder |

### Right Angle PCB Bracket With Hole & Latch

| Part Number | Description                       |
|-------------|-----------------------------------|
| PM206FRALHB | 2x3 FEMALE Right Angle PCB Solder |
| PM208FRALHB | 2x4 FEMALE Right Angle PCB Solder |
| PM212FRALHB | 2x6 FEMALE Right Angle PCB Solder |
| PM216FRALHB | 2x8 FEMALE Right Angle PCB Solder |

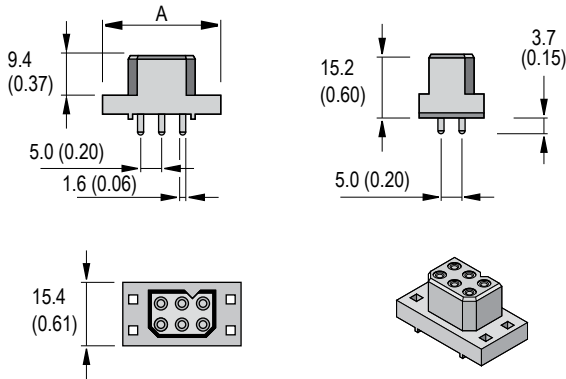
### Right Angle PCB Bracket With Hole & No Latch

| Part Number | Description                       |
|-------------|-----------------------------------|
| PM206FRAOHB | 2x3 FEMALE Right Angle PCB Solder |
| PM208FRAOHB | 2x4 FEMALE Right Angle PCB Solder |
| PM212FRAOHB | 2x6 FEMALE Right Angle PCB Solder |
| PM216FRAAHB | 2x8 FEMALE Right Angle PCB Solder |

PCB contacts and mounting accessories are designed for a board thickness of 1.60mm (.063) with a contact protrusion of 2.10 (.083). Other contact lengths are available upon request.

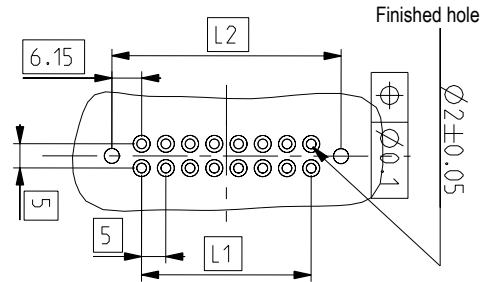
## DIMENSIONS - mm(in.)

### 2 Row - PCB Straight Solder Connector



### 2 Row - PCB Hole Layout For Straight Solder Connector

| ROWS CONTACTS | A    |      | L1 |      | L2   |      |
|---------------|------|------|----|------|------|------|
|               | mm   | in.  | mm | in.  | mm   | in.  |
| 2 - 06        | 28.5 | 1.12 | 10 | 0.39 | 22.3 | 0.88 |
| 2 - 08        | 33.5 | 1.32 | 15 | 0.59 | 27.3 | 1.07 |
| 2 - 12        | 43.5 | 1.71 | 25 | 0.98 | 37.3 | 1.47 |
| 2 - 16        | 53.5 | 2.11 | 35 | 1.38 | 47.3 | 1.86 |



## ORDERING INFORMATION

### With Latch

| Part Number | Description                    |
|-------------|--------------------------------|
| PM206FBALOO | 2x3 FEMALE Straight PCB Solder |
| PM208FBALOO | 2x4 FEMALE Straight PCB Solder |
| PM212FBALOO | 2x6 FEMALE Straight PCB Solder |
| PM216FBALOO | 2x8 FEMALE Straight PCB Solder |

### No Latch

| Part Number | Description                    |
|-------------|--------------------------------|
| PM206FBAOOO | 2x3 FEMALE Straight PCB Solder |
| PM208FBAOOO | 2x4 FEMALE Straight PCB Solder |
| PM212FBAOOO | 2x6 FEMALE Straight PCB Solder |
| PM216FBAOOO | 2x8 FEMALE Straight PCB Solder |

### Push on PCB Fastener & Latch

| Part Number | Description                    |
|-------------|--------------------------------|
| PM206FBALSP | 2x3 FEMALE Straight PCB Solder |
| PM208FBALSP | 2x4 FEMALE Straight PCB Solder |
| PM212FBALSP | 2x6 FEMALE Straight PCB Solder |
| PM216FBALSP | 2x8 FEMALE Straight PCB Solder |

### Push on PCB Fastener & No Latch

| Part Number | Description                    |
|-------------|--------------------------------|
| PM206FBAOSP | 2x3 FEMALE Straight PCB Solder |
| PM208FBAOSP | 2x4 FEMALE Straight PCB Solder |
| PM212FBAOSP | 2x6 FEMALE Straight PCB Solder |
| PM216FBAOSP | 2x8 FEMALE Straight PCB Solder |

### Self-tapping Screws For PCB Mount & Latch

| Part Number | Description                    |
|-------------|--------------------------------|
| PM206FBALST | 2x3 FEMALE Straight PCB Solder |
| PM208FBALST | 2x4 FEMALE Straight PCB Solder |
| PM212FBALST | 2x6 FEMALE Straight PCB Solder |
| PM216FBALST | 2x8 FEMALE Straight PCB Solder |

### Self-tapping Screws For PCB Mount & No Latch

| Part Number | Description                    |
|-------------|--------------------------------|
| PM206FBAOST | 2x3 FEMALE Straight PCB Solder |
| PM208FBAOST | 2x4 FEMALE Straight PCB Solder |
| PM212FBAOST | 2x6 FEMALE Straight PCB Solder |
| PM216FBAOST | 2x8 FEMALE Straight PCB Solder |

PCB contacts and mounting accessories are designed for a board thickness of 1.60mm (.063) with a contact protrusion of 2.10 (.083). Other contact lengths are available upon request.

# Mouser Electronics

Authorized Distributor

Click to View Pricing, Inventory, Delivery & Lifecycle Information:

## Anderson Power Products:

[PM206FBALST](#) [PM206FBAOOO](#) [PM206FBAOSP](#) [PM206FOOLOO](#) [PM208FOOLOO](#) [PM212FBALSP](#)  
[PM212FOOLOO](#) [PM212FOOLSC](#) [PM216FBAOOO](#) [PM216FOOLOO](#) [PM216FOOLSC](#) [PM216FOOOSC](#) [PM1000G1](#)